
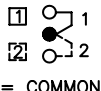
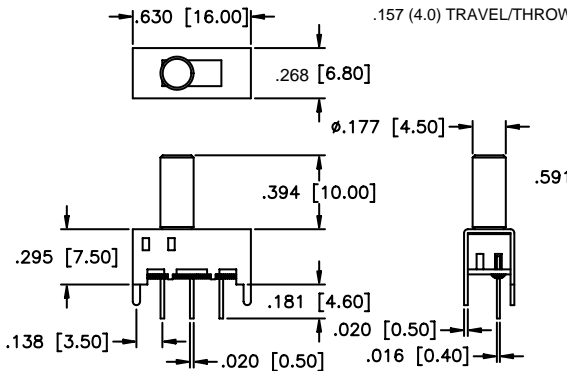
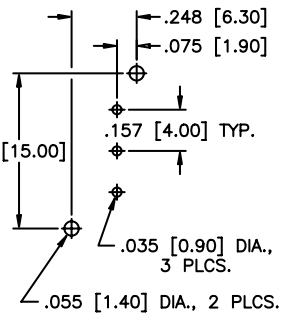

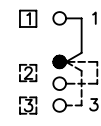
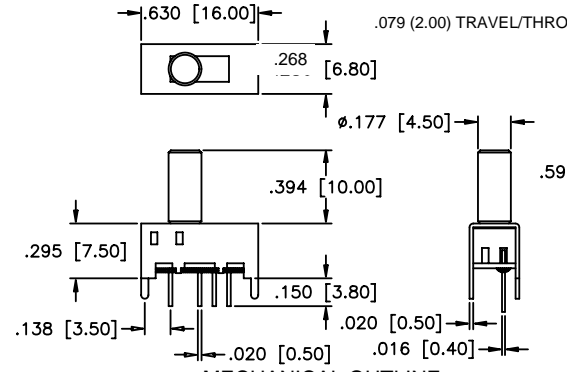
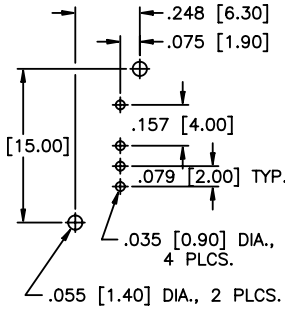


MHS Series

Miniature Slide Switches

with aluminum actuator

SPECIFICATIONS	FEATURES
<p>Contact rating: 300 mA at 30 VDC</p> <p>Initial contact resistance: 20 milliohms max.</p> <p>Insulation resistance: 100 megohms min. at 500 VDC</p> <p>Dielectric strength: 500 VAC for 1 minute</p> <p>Electrical life: 10,000 cycles min.</p> <p>Operating temperature range: -20°C to +85°C</p> <p>Solder heat resistance: 260°C max. for 3 seconds</p> <p>Actuation force: 250 ±150 grams</p> <p>Solvent washing permissible</p>	<ul style="list-style-type: none"> ● Miniature compact size. ● Wash-through open frame construction. ● Positive spring loaded ball detent mechanism. ● Epoxy sealed terminals.
MATERIALS	
<p>Contacts & terminals: Silver plated brass</p> <p>Housing: Tin plated steel</p> <p>Actuator: Aluminum alloy</p> <p>Base: Phenolic laminated sheet</p>	<p>Terminal seal: Epoxy</p>

MODEL NO.			
MHS122K			
 <p style="text-align: center;">VERTICAL ACTUATOR</p>	<p style="font-size: 1.2em; font-weight: bold;">1P2T</p>  <p>● = COMMON</p>	 <p style="font-size: 0.8em;">MECHANICAL OUTLINE</p>	 <p style="font-size: 0.8em;">P.C. BOARD LAYOUT</p>
MHS133K			
 <p style="text-align: center;">VERTICAL ACTUATOR</p>	<p style="font-size: 1.2em; font-weight: bold;">1P3T</p>  <p>● = COMMON</p>	 <p style="font-size: 0.8em;">MECHANICAL OUTLINE</p>	 <p style="font-size: 0.8em;">P.C. BOARD LAYOUT</p>

SPECIFICATIONS SUBJECT TO CHANGE WITHOUT NOTICE

X-ON Electronics

Largest Supplier of Electrical and Electronic Components

Click to view similar products for [Slide Switches](#) category:

Click to view products by [Apem](#) manufacturer:

Other Similar products are found below :

[6-1437581-1](#) [M43R](#) [MHS123K15D](#) [MHS133K](#) [MHSS1104A](#) [MMD](#) [GH49S010001](#) [MSS12A](#) [EPS1PC1](#) [1825074-1](#) [1825160-3](#) [1825167-2](#)
[1825289-7](#) [K232CB](#) [25139NLDB](#) [25449NAH](#) [SLB1240R45](#) [1825078-1](#) [1825080-4](#) [1825269-1](#) [1825270-2](#) [STS141RA04](#) [T2215BEN506](#)
[GH46P000001](#) [GH46W000001](#) [GH49P010001](#) [25339NA](#) [M42A](#) [TG36P000000](#) [TG36P000050](#) [AYZ0202AG](#) [47227LFE](#) [49331L](#) [50208L](#)
[L203091MS02Q](#) [4-1437581-7](#) [X2225CR-437W](#) [49329L](#) [1101M1S3ZB8E2](#) [1-1437581-1](#) [MSS2225G04](#) [TG39W000000](#) [1825075-1](#)
[MSS42G](#) [TG36WS80065](#) [T105S1CWZBE](#) [SLB124145](#) [SLB1280R5](#) [SLB1340R45](#) [25136NLDB](#)