

# MPB SERIES PUSHBUTTON SWITCHES

## FEATURES

- Single pole single throw momentary action.
- Normally open and normally closed models.
- Permanent cap is standard.
- Single hole mounting w/mtg. nut & lk'wshr supplied.

## MATERIALS

Base: PBT thermoplastic, color black  
 Bushing: Brass, nickel plated  
 Actuator: ABS thermoplastic  
 Terminals: Brass, silver plated  
 Shorting Contact: Brass or phos. brz., silver plated

## GENERAL SPECIFICATIONS

### ELECTRICALS

Contact rating: 300 mA @ 125 VAC  
 Insulation resistance: 100 megohms min. (500 VDC)  
 Dielectric withstanding voltage: 500 VAC for 1 minute  
 Contact resistance: 25 milliohms max. at 1 amp, 5 VDC  
 Electrical/Mechanical life: 10,000 cycles min.  
 Contact bounce: less than 10 milliseconds

### MECHANICALS, THERMALS

Plunger travel: MPB1110: .063" (1.6mm) MPB1140: .078" (2mm)  
 Actuation force: 300 grams ±150 grams  
 Operating temperature range: -20 °C to +60 °C

### SOLDERING

Wave or hand soldering: 235°C max. for 5 seconds max.  
 Solvent washing: Non-washable. Do not apply flux to terminals or switch mtg. surface

SPECIFICATIONS SUBJECT TO CHANGE WITHOUT NOTICE



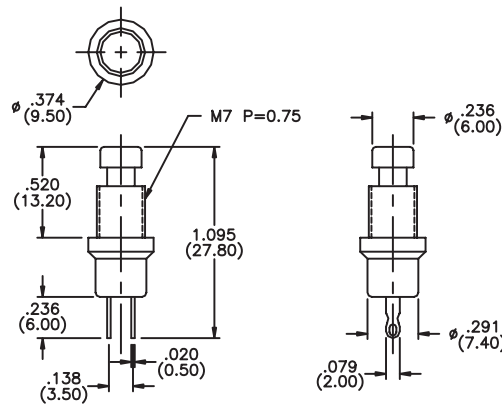
### MPB1110



NORMALLY OPEN

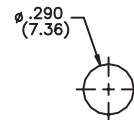


SCHEMATIC



MECHANICAL OUTLINE

Model No.	Cap Color
MPB11102	Black
MPB11106	Red



TOLERANCE FOR PANEL  
 MTG. HOLE: +.005 (0.13)  
 -.000 (0.00)

PANEL MTG. HOLE

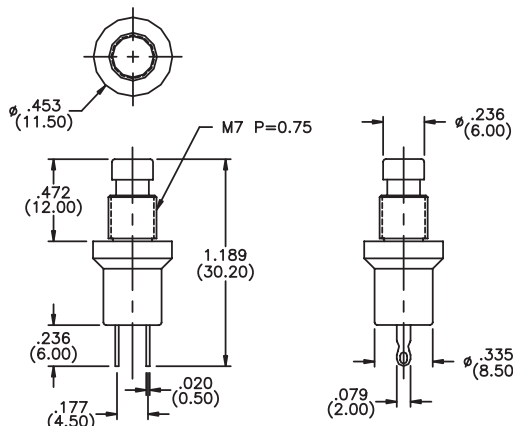
### MPB1140



NORMALLY CLOSED

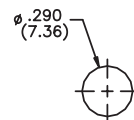


SCHEMATIC



MECHANICAL OUTLINE

Model No.	Cap Color
MPB11402	Black
MPB11406	Red



TOLERANCE FOR PANEL  
 MTG. HOLE: +.005 (0.13)  
 -.000 (0.00)

PANEL MTG. HOLE

## X-ON Electronics

Largest Supplier of Electrical and Electronic Components

*Click to view similar products for [Pushbutton Switches](#) category:*

*Click to view products by [Apem](#) manufacturer:*

Other Similar products are found below :

[8940K2012](#) [LW1L-M1C10V-A](#) [LW1L-M1C70-A](#) [LW2L-A1C20M-GD](#) [LW2L-M1C20M-A](#) [60324L](#) [M22-D-R-GB0/K11](#) [M7E-HRN2](#)  
[67021K512](#) [67081K512X](#) [701PB580](#) [7190K101](#) [7199K101](#) [810K12910](#) [810KSV30B](#) [MML21EA2ADK](#) [MML21KA3ABK](#)  
[MML23KA3AC05K-001](#) [MML23KW3AA01W](#) [8418K2](#) [8442K3](#) [8450K1](#) [860K11911T01A](#) [861901](#) [861K11911T01A07](#)  
[861K13810T00A14](#) [861K13911](#) [8646AB6X718UL](#) [8646ABUL](#) [9001KXRK](#) [907AYY100](#) [PMHD155A1](#) [95-313.000](#)  
[9533CD4+U574+U4922](#) [95-414.000](#) [99-450.837](#) [99-453.837](#) [PV3H2B0NN-341](#) [1203MRA](#) [A22NZBGANGA](#) [A22NZBMMNGA](#)  
[A22NZBNANGA](#) [A22NZMPATRA](#) [A2PMA1X03EC56](#) [A3A-5123-02](#) [A3A-7140](#) [A3A-7310](#) [A3A-7340](#) [A3U-TMW-A2C-5M](#) [A595](#)