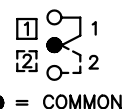
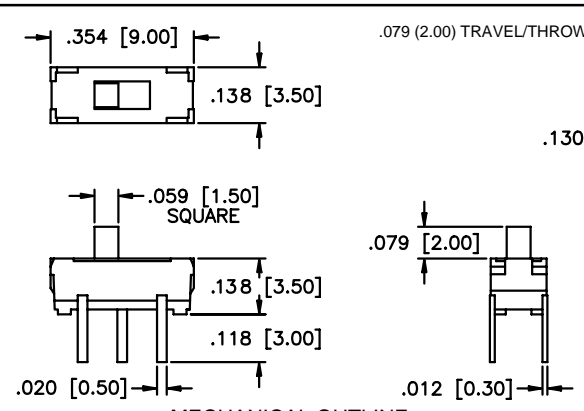
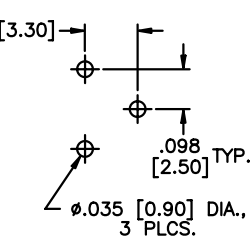

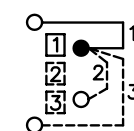
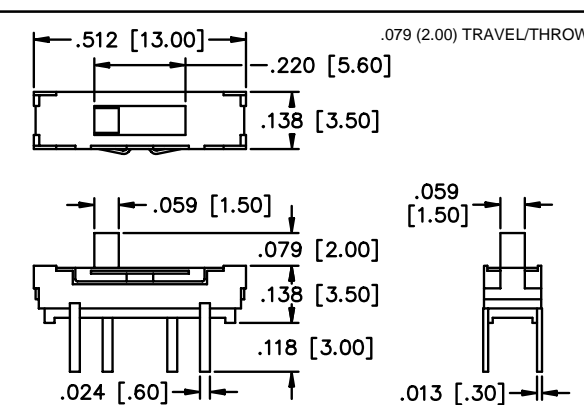
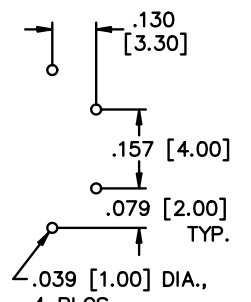

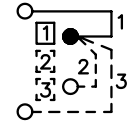
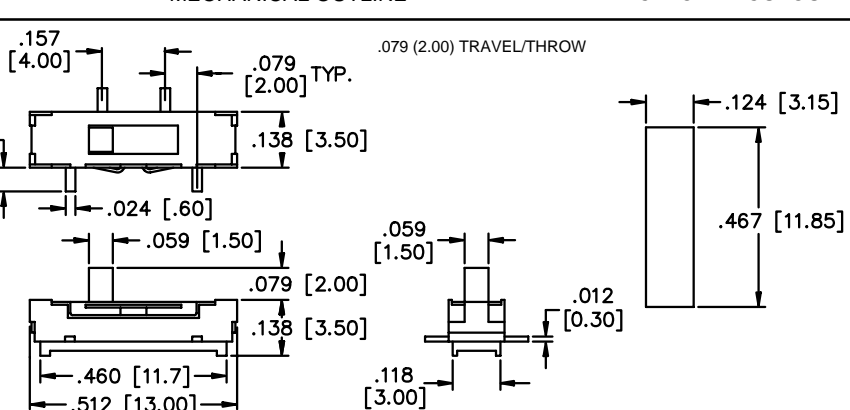
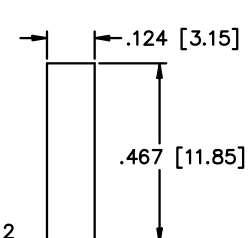



# MS Series

## Microminiature Slide Switches

SPECIFICATIONS	FEATURES
<p><b>Contact rating:</b> 300 mA at 6 VDC</p> <p><b>Initial contact resistance:</b> 70 milliohms max.</p> <p><b>Insulation resistance:</b> 100 megohms max. at 500 VDC</p> <p><b>Dielectric strength:</b> 500 volts RMS at sea level</p> <p><b>Electrical life:</b> 10,000 cycles min.</p> <p><b>Operating temperature range:</b> -10°C to +60°C</p> <p><b>Solder heat resistance:</b> 260°C max. for 3 seconds</p> <p><b>Washing not recommended</b></p>	<ul style="list-style-type: none"> <li>● <b>Low profile.</b></li> <li>● <b>Insert molded terminals.</b></li> <li>● <b>Stainless steel cover.</b></li> </ul>
MATERIALS	
<p><b>Contacts &amp; terminals:</b> Silver plated</p> <p><b>Cover:</b> Stainless steel</p> <p><b>Actuator:</b> Thermoplastic</p> <p><b>Base:</b> High temperature thermoplastic    <b>Terminal seal:</b> Insert molded</p>	


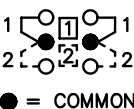
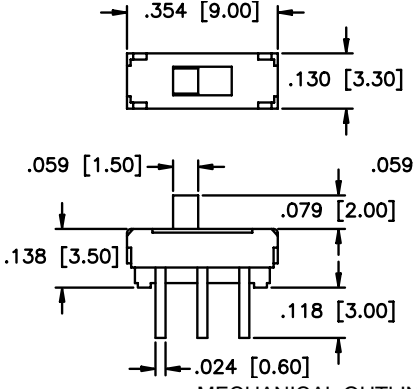
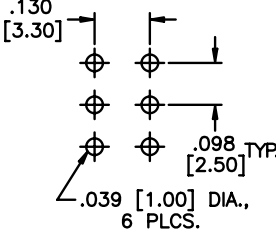

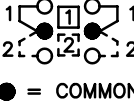
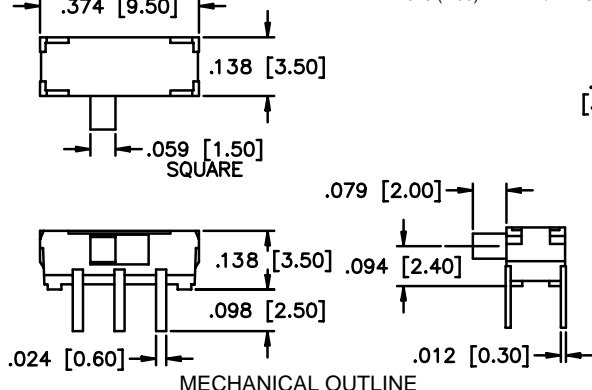
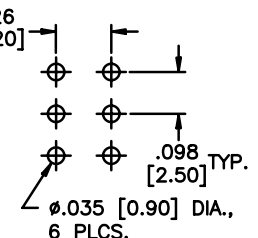

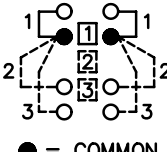
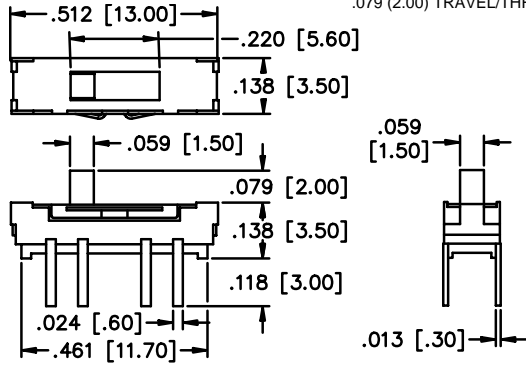
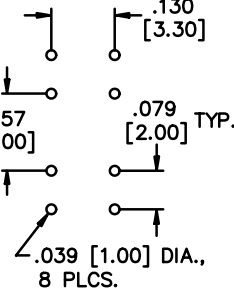

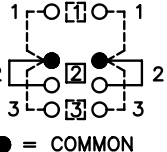
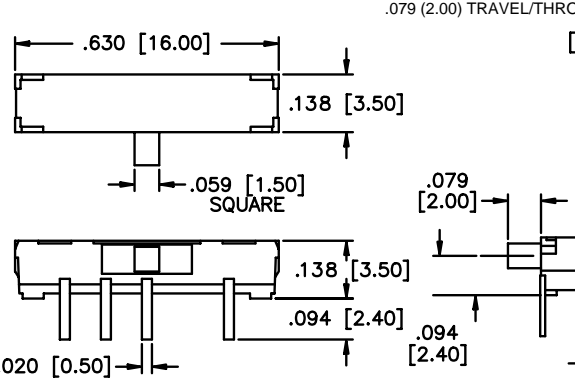
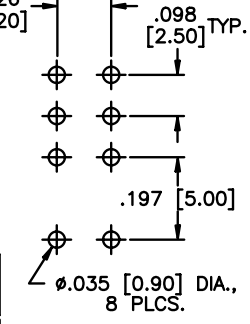
<p><b>MODEL NO.</b></p> <p><b>MS12</b></p>	<p><b>1P2T</b></p>  <p>● = COMMON</p>	 <p>.079 (2.00) TRAVEL/THROW</p>	 <p>P.C. BOARD LAYOUT</p>
 <p>VERTICAL ACTUATOR</p>	<p>SCHEMATIC</p> <p>MECHANICAL OUTLINE</p>	<p>P.C. BOARD LAYOUT</p>	
<p><b>MODEL NO.</b></p> <p><b>MS13</b></p>	<p><b>1P3T</b></p>  <p>● = COMMON</p>	 <p>.079 (2.00) TRAVEL/THROW</p>	 <p>P.C. BOARD CUTOUT</p>
 <p>VERTICAL ACTUATOR</p>	<p>SCHEMATIC</p> <p>MECHANICAL OUTLINE</p>	<p>P.C. BOARD CUTOUT</p>	
<p><b>MODEL NO.</b></p> <p><b>MS13S</b></p>	<p><b>1P3T</b></p>  <p>● = COMMON</p>	 <p>.079 (2.00) TRAVEL/THROW</p>	 <p>P.C. BOARD LAYOUT</p>
 <p>VERTICAL ACTUATOR</p>	<p>SCHEMATIC</p> <p>MECHANICAL OUTLINE</p>	<p>P.C. BOARD LAYOUT</p>	


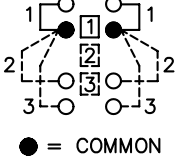
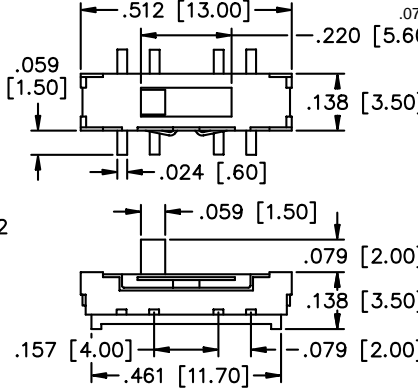
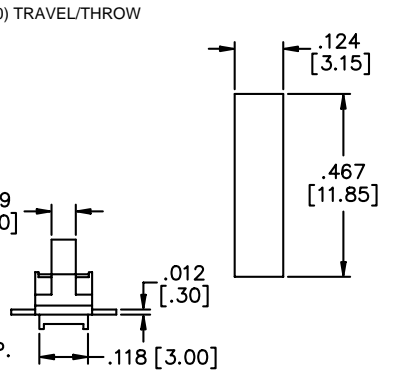

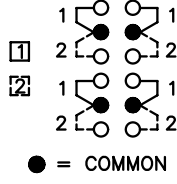
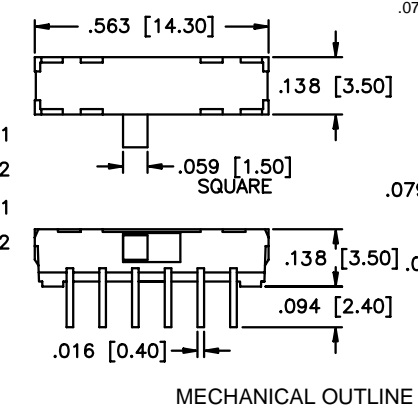
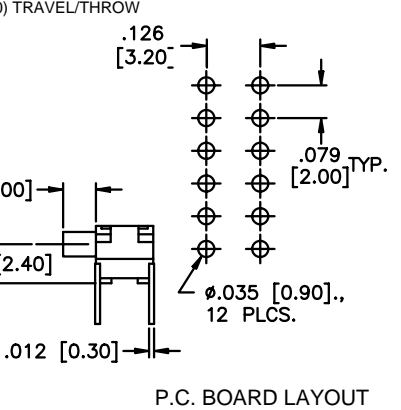
SPECIFICATIONS SUBJECT TO CHANGE WITHOUT NOTICE

# MS Series

## Microminiature Slide Switches

SPECIFICATIONS SUBJECT TO CHANGE WITHOUT NOTICE

<p><b>MODEL NO.</b> <b>MS22</b></p>  <p>VERTICAL ACTUATOR</p>	<p><b>2P2T</b></p>  <p>● = COMMON</p>  <p>MECHANICAL OUTLINE</p>  <p>P.C. BOARD LAYOUT</p> <p style="text-align: right;">.079 (2.00) TRAVEL/THROW</p>
<p><b>MODEL NO.</b> <b>MS22R</b></p>  <p>RIGHT ANGLE ACTUATOR</p>	<p><b>2P2T</b></p>  <p>● = COMMON</p>  <p>MECHANICAL OUTLINE</p>  <p>P.C. BOARD LAYOUT</p> <p style="text-align: right;">.079 (2.00) TRAVEL/THROW</p>
<p><b>MODEL NO.</b> <b>MS23</b></p>  <p>VERTICAL ACTUATOR</p>	<p><b>2P3T</b></p>  <p>● = COMMON</p>  <p>MECHANICAL OUTLINE</p>  <p>P.C. BOARD LAYOUT</p> <p style="text-align: right;">.079 (2.00) TRAVEL/THROW</p>
<p><b>MODEL NO.</b> <b>MS23R</b></p>  <p>RIGHT ANGLE ACTUATOR</p>	<p><b>2P3T</b></p>  <p>● = COMMON</p>  <p>MECHANICAL OUTLINE</p>  <p>P.C. BOARD CUTOUT</p> <p style="text-align: right;">.079 (2.00) TRAVEL/THROW</p>

<b>MODEL NO.</b>	<b>2P3T</b>		
<b>MS23S</b>			
 <p>VERTICAL ACTUATOR</p>	 <p>● = COMMON</p> <p>SCHEMATIC</p>	 <p>MECHANICAL OUTLINE</p>	 <p>P.C. BOARD CUTOUT</p>
<b>MODEL NO.</b>	<b>4P2T</b>		
<b>MS42R</b>			
 <p>RIGHT ANGLE ACTUATOR</p>	 <p>● = COMMON</p> <p>SCHEMATIC</p>	 <p>MECHANICAL OUTLINE</p>	 <p>P.C. BOARD LAYOUT</p>

SPECIFICATIONS SUBJECT TO CHANGE WITHOUT NOTICE

## X-ON Electronics

Largest Supplier of Electrical and Electronic Components

*Click to view similar products for [Slide Switches](#) category:*

*Click to view products by [Apem](#) manufacturer:*

Other Similar products are found below :

[6-1437581-1](#) [M43R](#) [MHS123K15D](#) [MHS133K](#) [MHSS1104A](#) [MMD](#) [GH49S010001](#) [MSS12A](#) [EPS1PC1](#) [1825074-1](#) [1825160-3](#) [1825167-2](#)  
[1825289-7](#) [K232CB](#) [25139NLDB](#) [25449NAH](#) [SLB1240R45](#) [1825078-1](#) [1825080-4](#) [1825269-1](#) [1825270-2](#) [STS141RA04](#) [T2215BEN506](#)  
[GH46P000001](#) [GH46W000001](#) [GH49P010001](#) [25339NA](#) [M42A](#) [TG36P000000](#) [TG36P000050](#) [AYZ0202AG](#) [47227LFE](#) [49331L](#) [50208L](#)  
[L203091MS02Q](#) [4-1437581-7](#) [X2225CR-437W](#) [49329L](#) [1101M1S3ZB8E2](#) [1-1437581-1](#) [MSS2225G04](#) [TG39W000000](#) [1825075-1](#)  
[MSS42G](#) [TG36WS80065](#) [T105S1CWZBE](#) [SLB124145](#) [SLB1280R5](#) [SLB1340R45](#) [25136NLDB](#)