

# MT series

## Sealed selector switches

Distinctive features - Specifications

U1603R2US



- ❑ Environmentally sealed selector switch (IP68)
- ❑ Multiple functions available
- ❑ Various contact materials that allow usage from dry circuit applications up to 4A

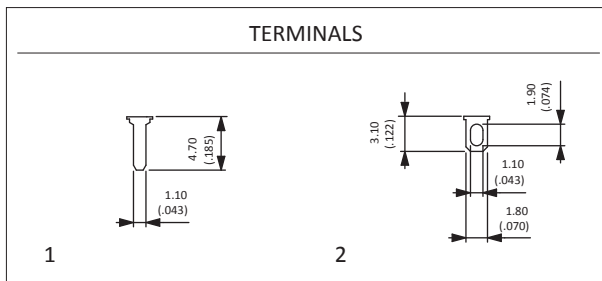
### ELECTRICAL AND GENERAL SPECIFICATIONS

- Max. current/voltage rating with resistive load
  - Silver contacts (A) : 4A 30VDC
  - Gold plated silver contacts (AD) : 4A 30VDC (gold plating withstands up to 100mA 30VDC)
  - Gold plated brass contacts (CD) : 0,4VA 20VAC or DC
- Minimal load :
  - A contacts : 50mA 10VDC
  - AD and CD contacts : 10mA 50mV - 10µA 5V
- Initial contact resistance : 10mΩ max.
- Insulation resistance : 1.000 MΩ min. at 500VDC
- Dielectric strength : 1.000 Vrms 50Hz min. between terminals  
1.500 Vrms 50Hz min. between terminals and frame
- Contact bounce : 2ms max.
- Electrical life at full load : 50,000 cycles
- Low level or mechanical life : 100,000 cycles
- Panel thickness : 11.5 mm (.452) max.
- Operating temperature : -40°C to +85°C

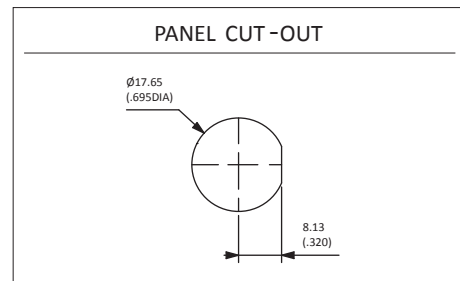
### MATERIALS

- Actuator : 6/6 nylon  
soft touch: thermoplastic elastomer over 6/6 nylon
- Bushing : brass, chrome plated
- Contacts
  - A: silver
  - AD: silver, gold plated
  - CD: brass, gold plated
- Terminal seal : epoxy

### TERMINALS



### PANEL CUT-OUT



Dimensions: First dimensions are in mm while inches are shown as bracketed numbers.



Mounting accessories: Standard hardware supplied : 1 hex nut 20.64 mm (.813) across flats and 1 sealing gasket.



Packaging unit: 40 pieces per tray

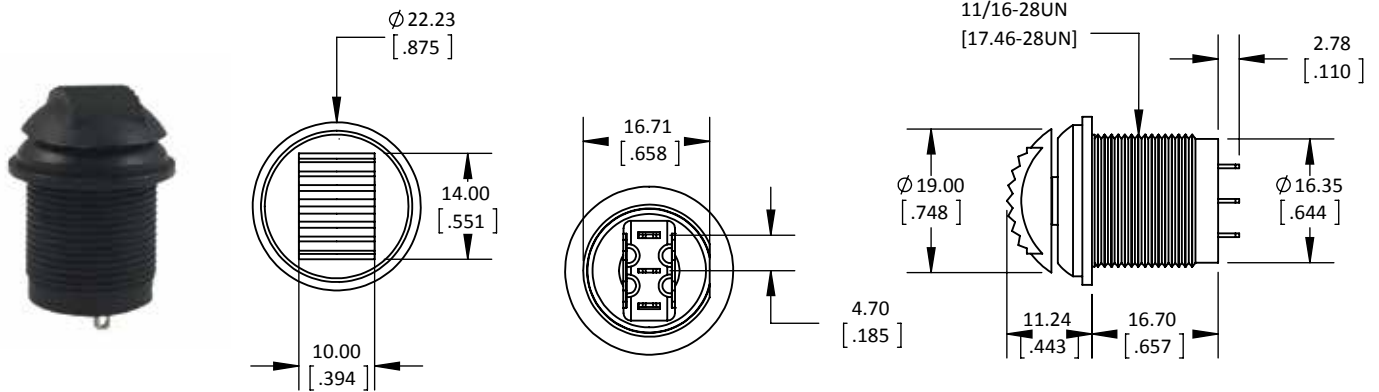
Note: The company reserves the right to change specifications without notice.

# MT series Sealed selector switches

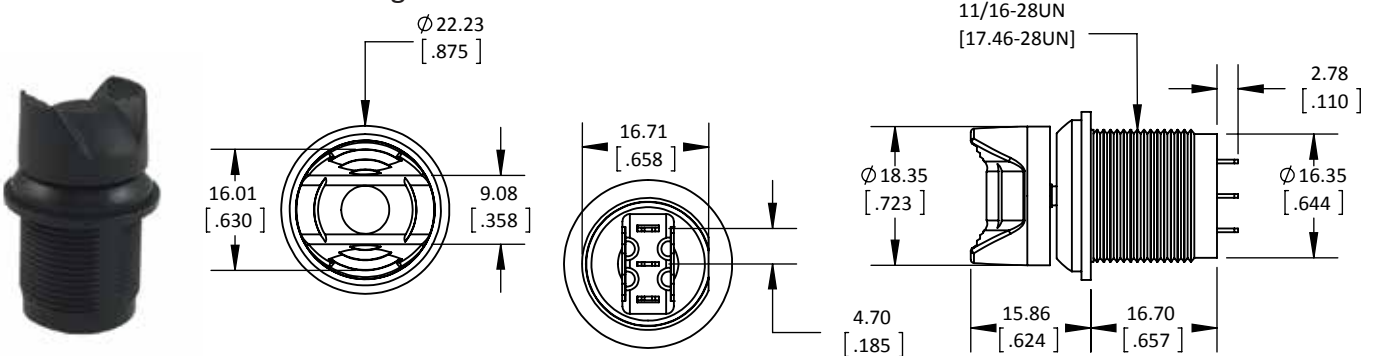
Distinctive features - Specifications

MT					
<b>SERIES</b>	<b>Bushing finish</b>		<b>Electrical functions</b>		<b>Terminals</b>
	Blank	Bright chrome	6 ON - ON	9 ON OFF ON	1 Straight PC
	G	Matte black (std)	7 MOM OFF MOM	8 ON OFF MOM	2 Solder lug
			2 ON - MOM		
			<b>Contact materials</b>		<b>Actuators</b>
			A Silver		2 Rocker, black
			AD Gold plated silver		3 Winged, black
			CD Gold plated brass		4 Paddle, black
					5 Winged, soft touch, black
					6 Paddle, soft touch, black
					Other : on request.

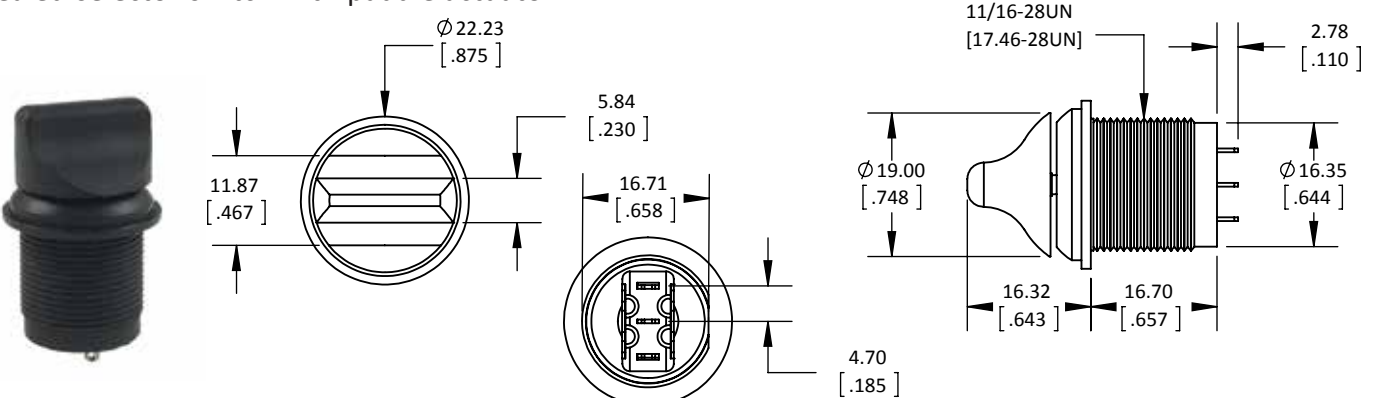
Sealed selector switch with rocker actuator



Sealed selector switch with winged actuator



Sealed selector switch with paddle actuator



Note: The company reserves the right to change specifications without notice.

## X-ON Electronics

Largest Supplier of Electrical and Electronic Components

*Click to view similar products for [Toggle Switches](#) category:*

*Click to view products by [Apem](#) manufacturer:*

Other Similar products are found below :

[8928K478](#) [020017-13](#) [60012L](#) [6006L](#) [CS115W](#) [CS120W](#) [6663](#) [7101SPDV30BE](#) [7103SDV30BE](#) [7105D](#) [7108P3YAV2BE](#) [71YY50282](#)  
[7300K36](#) [7301K38](#) [7306K36](#) [7310K36](#) [7506K4](#) [7592K6](#) [7660K12](#) [7691K14](#) [7700K1](#) [8391K108](#) [8396K108](#) [8811K17](#) [8824K14](#) [8828K13](#)  
[8835K3](#) [8858K44](#) [PS83-121G](#) [1-1825192-0](#) [A201SCWZB04](#) [A207SYCB04](#) [A208J61ZQ0004](#) [A221T1TCQ](#) [A323S1CWZQ](#)  
[A423S1CWZG-M8](#) [1201W](#) [12156AX408](#) [12147AGKX679](#) [12246X778](#) [12TW49-3D](#) [130312](#) [13037L](#) [13001X](#) [AE101MD1W4B04](#)  
[AE208SD1W4B04](#) [MS24659-22D](#) [MS27407-5](#) [1520230-9](#) [1520231-1](#)