

MWZ series

Waterproof snap-action micro switches

Distinctive features and specifications



- IP67 sealed
- UL certified
- 1 million mechanical lifecycles
- Ideal for adverse environment applications
- Optional sealed wire outlet available

ENVIRONMENTAL SPECIFICATIONS

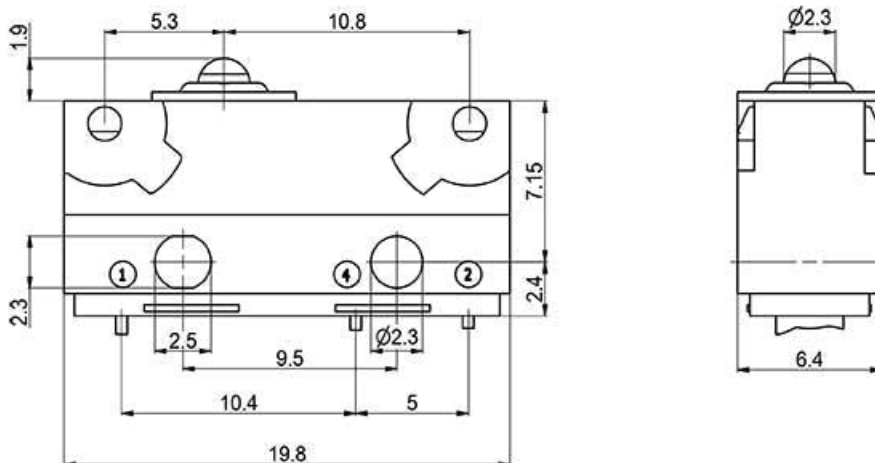
Housing	–	PA66-FR50
Cover	–	PA66-FR50
Actuator	–	PBT
Actuator sealing	–	Methyl Vinyl Silicone rubber
Terminals	–	CuZn AG plated
Contacts	–	AgNi - Silver nickel
Contact spring	–	Stainless steel
Contact sealing	–	Epoxy resin

ELECTRICAL SPECIFICATIONS

Rating	–	5(2)A 125/250VAC
Electrical lifecycle	–	Minimum: 50,000 cycles

GENERAL SPECIFICATIONS

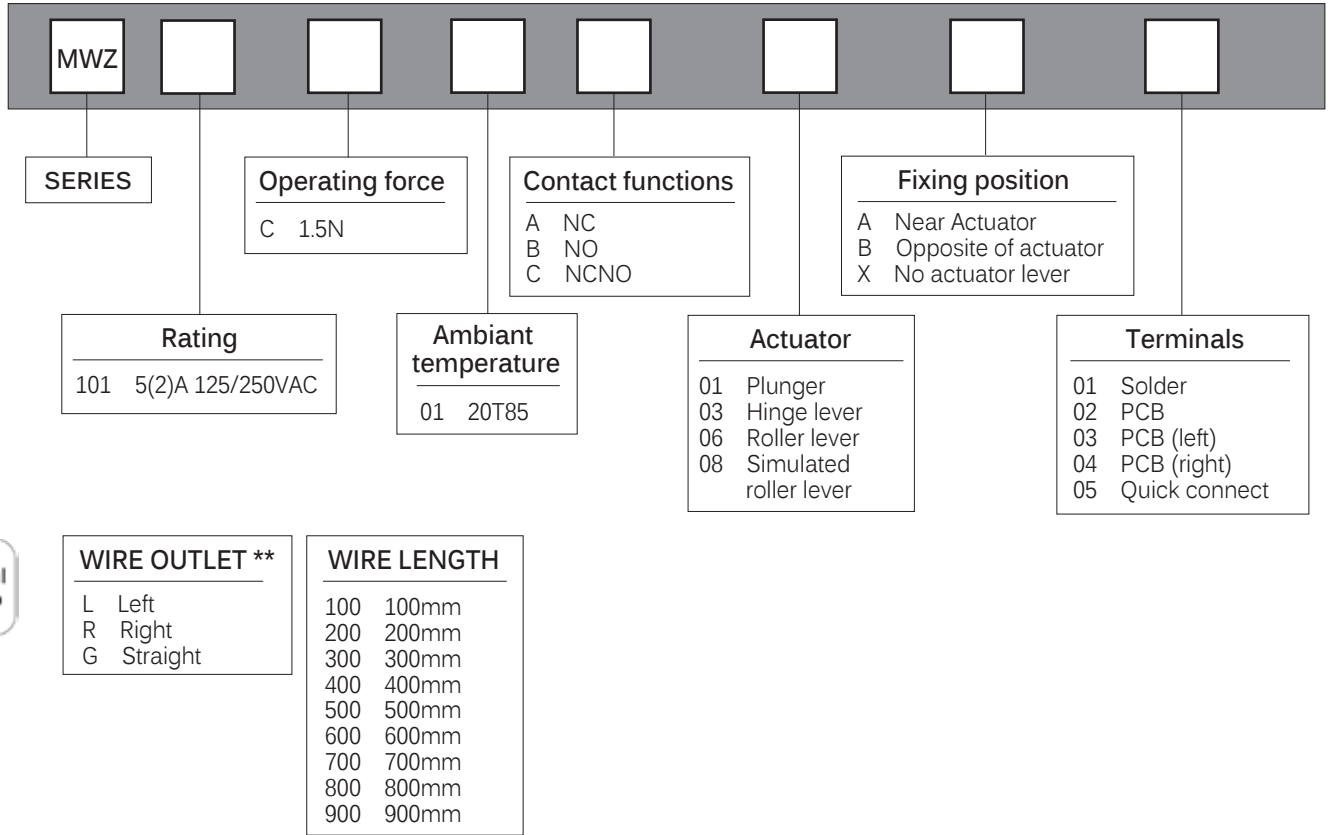
Operating temperature	–	-40°C to +85°C (-40°F to +185°F)
Sealing	–	IP67
Contact opening	–	<3 mm (.118in)
Typical operating force	–	1.5N
Mechanical lifecycle	–	Minimum: 1 million cycles



MWZ series

Waterproof snap-action micro switches

Overview



NOTES: Standard wire colors are: Common = White; Normally closed = Red; Normally open = Black
 ** Only Solder terminal option available when choosing **optional** WIRE OUTLET.



Sealed to IP67 - protected against dust and liquid ingress



Packaging units:
 With wires (bags): 20 to 100 pieces per bag (depending on quantity & length of wire).
 Without wires (tray): 100 pieces per tray.

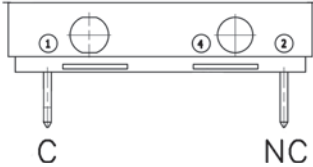
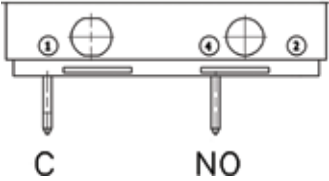
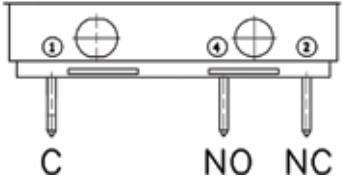


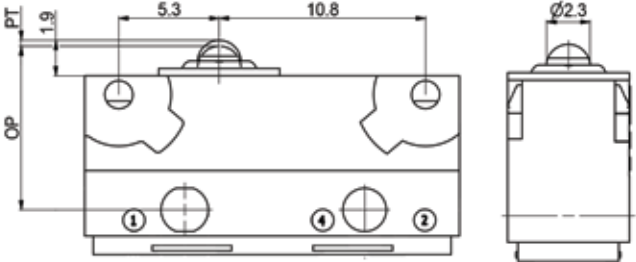
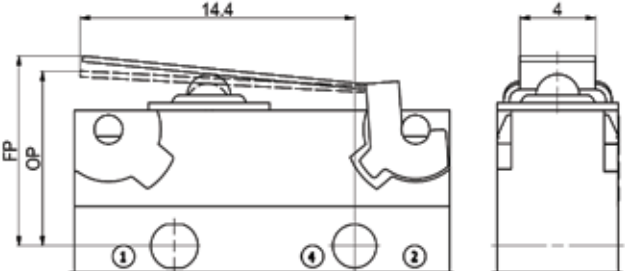
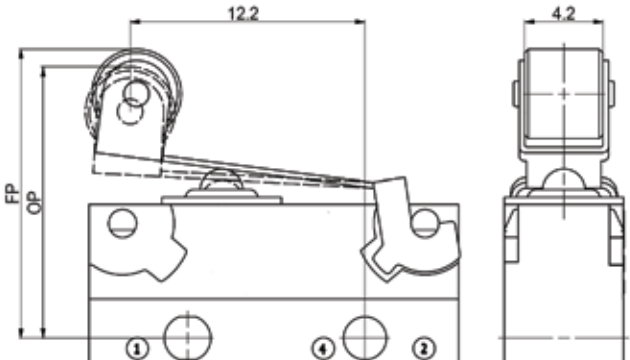
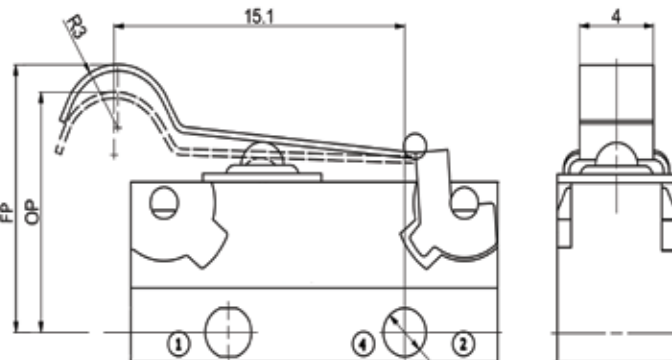
Note: The company reserves the right to change specifications without notice.

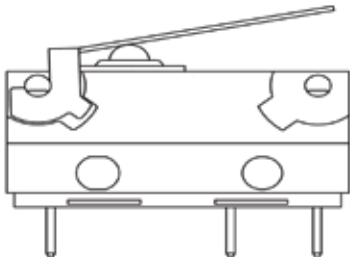
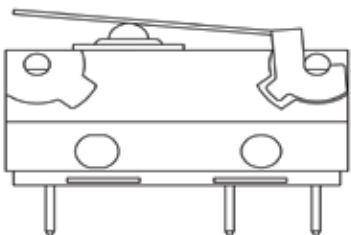
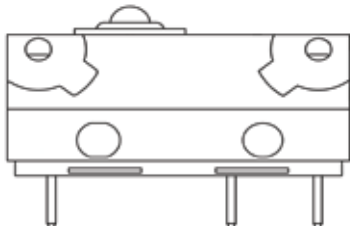
MWZ series

Waterproof snap-action micro switches

Dimensional drawings and option detail

CONTACT FUNCTIONS		
A - NORMALLY CLOSED	B - NORMALLY OPEN	C - NORMALLY CLOSED / NORMALLY OPEN
		

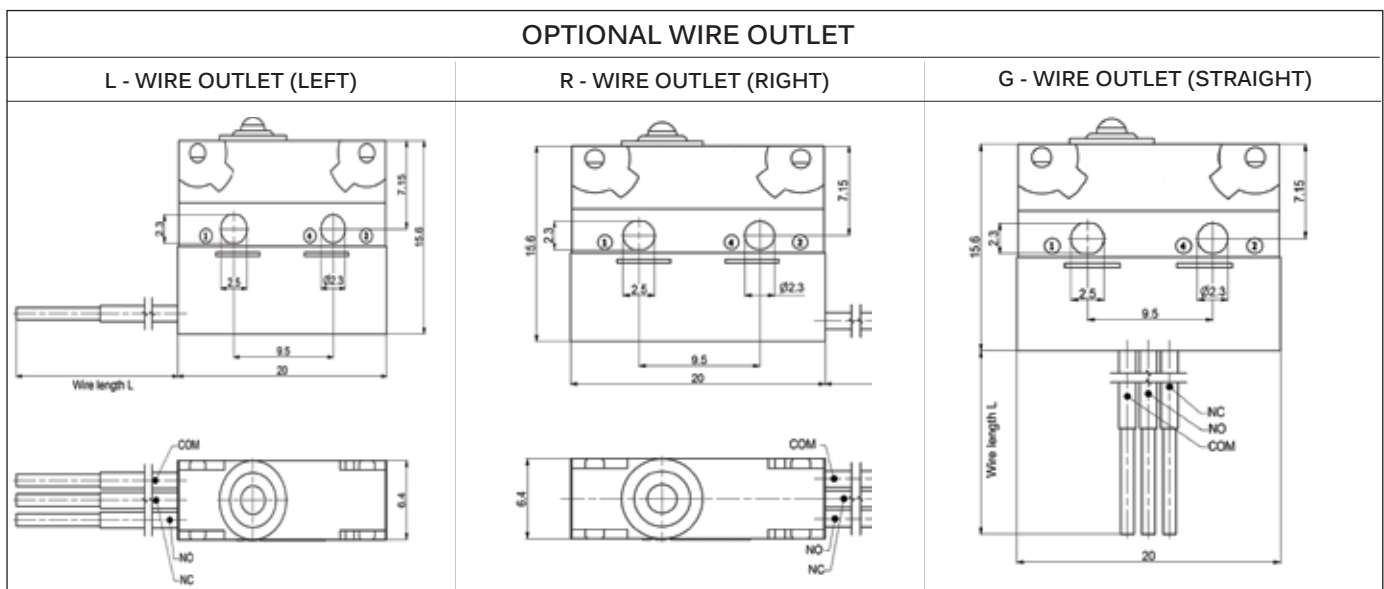
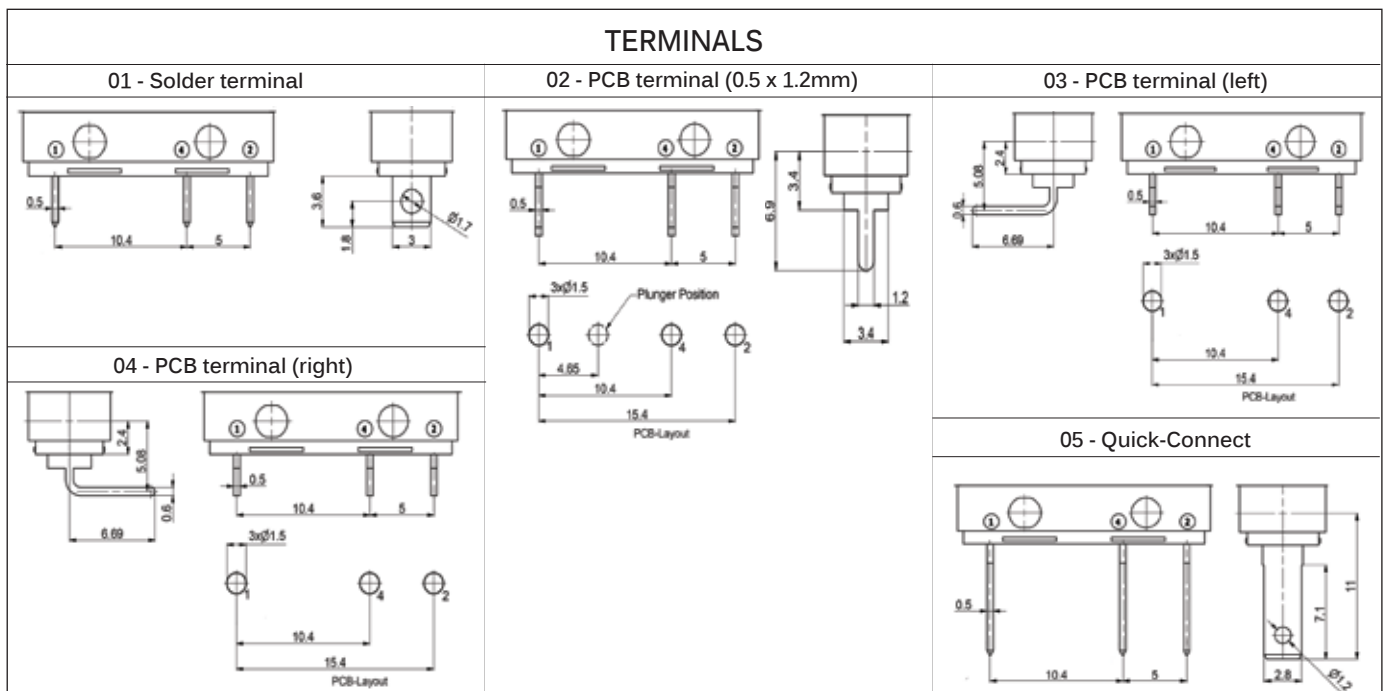
ACTUATORS	
01 - Plunger	03 - Hinge lever
	
06 - Roller lever	08 - Simulated roller lever
	

FIXING POSITION		
A - Near actuator	B - Opposite of actuator	X - No actuator lever
		

MWZ series

Waterproof snap-action micro switches

Additional wiring options



TRAVEL TABLE

MWZ	Actuator code	Actuator Length	Operating Force on lever ($\leq N$)	Pretravel (mm)	Overtravel (min. mm)	Movement differential ($\geq mm$)
Plunger (Standard)	01	-	-	0.8	0.4	0.1
NEAR ACTUATOR FIXED						
Hinge Lever	03	14.4	0.55	-	1.0	0.6
Roller Lever (long)	06	12.2	0.60	-	1.0	0.4
Simulated Roller Lever	08	15.1	0.50	-	1.0	0.6
OPPOSITE ACTUATOR FIXED						
Hinge Lever	03	14.4	1.05	-	0.8	0.4
Roller Lever (long)	06	12.2	1.20	-	0.6	0.4
Simulated Roller Lever	08	15.1	1.00	-	0.8	0.4

PCB1404R1USU

X-ON Electronics

Largest Supplier of Electrical and Electronic Components

Click to view similar products for [Basic / Snap Action Switches](#) category:

Click to view products by [Apem](#) manufacturer:

Other Similar products are found below :

[5SM901-S12](#) [5SM9-S12N195](#) [602EN532](#) [602EN535-RB](#) [602HE5-RB1](#) [604HE162](#) [604HE223-6B](#) [624HE17-RB](#) [6HM82](#) [6HM89](#) [6SE1](#)
[6SX1-H58](#) [70500216](#) [70599106](#) [MBD5B1](#) [MBH2731](#) [73-316-0012](#) [EXD-AR20](#) [79211923](#) [79218589](#) [7AS12](#)
[MIL30126AB6BBMD4A12XAU](#) [ML-1155](#) [ML-1376](#) [831010C3.0](#) [831090C2.EL](#) [83131904](#) [84212012](#) [8AS239](#) [8HM73-3](#) [8SX26-H33](#)
[914CE1-6G](#) [PL-100](#) [11SM1077-H4](#) [11SM1077-H58](#) [11SM1-TN107](#) [11SM405](#) [11SM8423-H2](#) [11SX37-T](#) [11SX48-H58](#) [11SM2442-T](#)
[11SM76-T](#) [11SM77-H58](#) [11SM77-T](#) [11SM863-T](#) [11SM866](#) [A7CN-1M-1-LEFT](#) [A831700C7.0](#) [121EN187-R](#) [121EN188-R](#)