

P65 series

Rotary code switches •
wide temperature range



DISTINCTIVE FEATURES

- Designed for higher temperature applications
- Solid PCB pins
- Highly reliable
- Abrasion resistant gold-plated contacts



ENVIRONMENTAL SPECIFICATIONS

- Operating temperature: -60 °C to +125 °C (-76 °F to +257 °F)



ELECTRICAL SPECIFICATIONS

- Operating voltage : 42 VDC max.
- Contact load, static : ≤ 0.2 A
- Contact load, dynamic : ≤ 0.1 A.
- Initial contact resistance : 80 m Ω max.
- Insulation resistance : 100 M Ω min.



MECHANICAL SPECIFICATIONS

- Torque (typical): 1.3 Ncm
- Mechanical life : 30,000 steps
- Positions : 4, 6, 10, 16



MATERIALS

- Base : UL94-V0, high temperature thermoplastic, black
- Cover : UL94-V0, high temperature thermoplastic
- Actuator : PA46 nylon
- Spring : Stainless steel
- Contacts : gold over nickel plated copper alloy
- Terminals : tin plated

The company reserves the right to change specifications without notice.



P65 series

Rotary code switches



SOLDERING

- Reflow soldering: 260 °C (500 °F) max. for 10 seconds max.
- Hand soldering : 340 °C (644 °F) max. for 2 seconds max.
- Wave soldering : 280 °C (536 °F) max. for 5 seconds max.



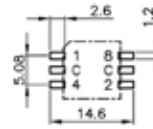
PACKAGING

- Switches : tubes of 50 pieces or reels of 300 pieces
- Accessories : bags of 50 pieces

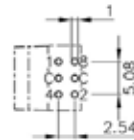


PCB MOUNTING

SURFACE MOUNT



THROUGH-HOLE



P65 series

Rotary code switches

BUILD YOUR PART NUMBER

SERIES	MOUNTING	ACTUATORS	CODES	TERMINALS	PACKAGING
P65					
	THR Through-hole SMT Gull wing surface mount	1 Screwdriver 7 Cross - accessories	01 BCD 02 BCD complement 03 Hexadecimal 06 Hexadecimal complement Other codes available upon request	(blank) Straight V Crimped * L254 Right angle * *THR versions only	(blank) Tube TR Tape and Reel

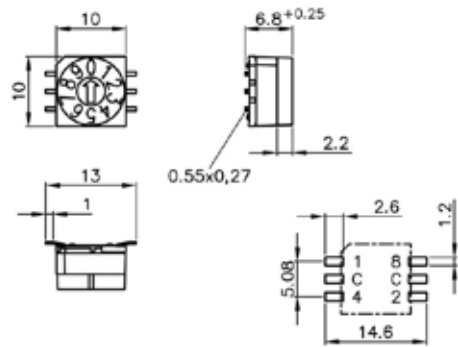
ABOUT THIS SERIES

On the following pages, you will find successively basic part numbers of switches and options in the same order as in above chart.

SURFACE MOUNT



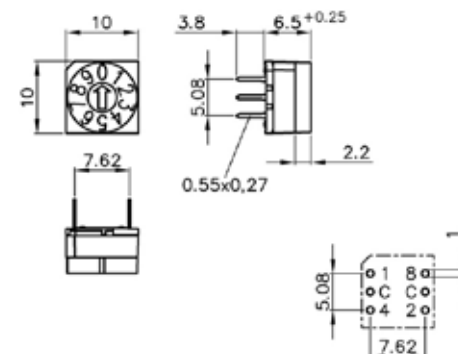
P65SMT



THROUGH-HOLE



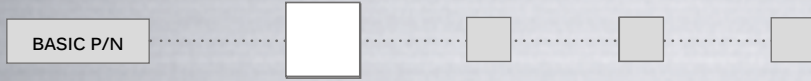
P65THR



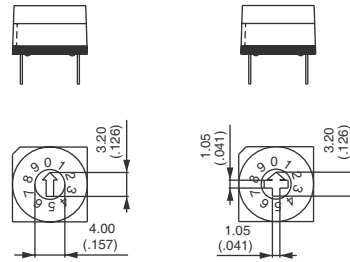
P65 series

Rotary code switches

ACTUATORS



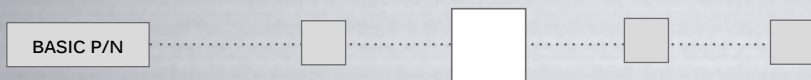
- 1 Screwdriver
- 7 Cross - accessories (see next pages)



1

7

CODES



- 01 BCD
- 02 BCD complement
- 03 Hexadecimal
- 06 Hexadecimal complement

POSITION	C	1	2	4	8	MARKING
0	●					0
1	●	●				1
2	●		●			2
3	●	●	●			3
4	●			●		4
5	●	●		●		5
6	●		●	●		6
7	●	●	●	●		7
8	●				●	8
9	●	●			●	9

01

POSITION	C	1	2	4	8	MARKING
0	●	●	●	●	●	0
1	●		●	●	●	1
2	●	●		●	●	2
3	●			●	●	3
4	●	●	●		●	4
5	●		●		●	5
6	●	●		●	●	6
7	●				●	7
8	●	●	●	●		8
9	●		●	●		9

02

POSITION	C	1	2	4	8	MARKING
0	●					0
1	●	●				1
2	●		●			2
3	●	●	●			3
4	●			●		4
5	●	●		●		5
6	●		●	●		6
7	●	●	●	●		7
8	●				●	8
9	●	●			●	9
10	●		●		●	A
11	●	●	●		●	B
12	●			●	●	C
13	●	●		●	●	D
14	●		●	●	●	E
15	●	●	●	●	●	F

03

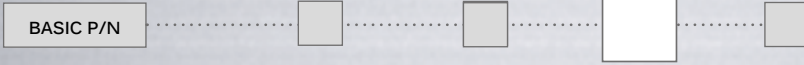
POSITION	C	1	2	4	8	MARKING
0	●	●	●	●	●	0
1	●		●	●	●	1
2	●	●		●	●	2
3	●			●	●	3
4	●	●	●		●	4
5	●		●		●	5
6	●	●			●	6
7	●				●	7
8	●	●	●	●		8
9	●		●	●		9
10	●	●		●		A
11	●		●			B
12	●	●	●			C
13	●		●			D
14	●	●				E
15	●					F

06

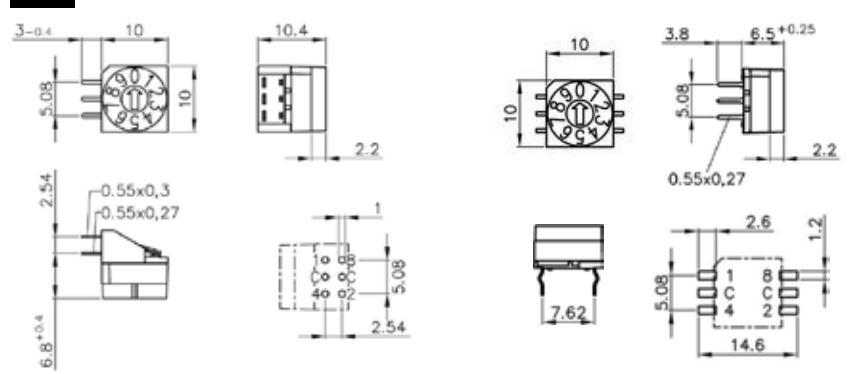
P65 series

Rotary code switches

TERMINALS



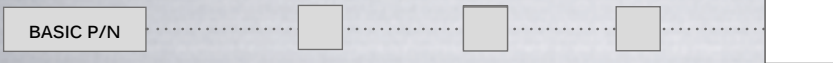
- (blank) Straight
- V Crimped (THR)
- L254 Right angle (THR)



L254

V

PACKAGING



- (blank) Straight
- V Crimped (THR)
- L254 Right angle (THR)

P65 series

Rotary code switches

ACCESSORIES

To order separately.

ACCESSORIES ADAPTED TO YOUR APPLICATIONS

Basic model P65 has been designed to accept different actuators with snap-in connection.

According to your application, you can choose between spindles or plastic knobs in two different lengths and a Ø 17 mm (.669) knurled wheel for lateral marking.

Standard colours are shown below. Special colours are also available on request.

		P/N	COLORS	DIMENSIONS
SPINDLES	Length 11.6 mm (standard)	U4822	black	
		U4824	grey	
	Length 13.3 mm	U4832	black	
PLASTIC KNOBS	Length 5.3 mm (standard)	U4906	red	
	Length 15.7 mm	U4916	red	
	Length 4.4 mm	U4941	blue	
		U4943	green	
		U4944	grey	
		U4945	yellow	
U4946	red			
KNURLED WHEEL (unmarked - marking on request)	U4847/1	white/black		

X-ON Electronics

Largest Supplier of Electrical and Electronic Components

Click to view similar products for [Coded Rotary Switches](#) category:

Click to view products by [Apem](#) manufacturer:

Other Similar products are found below :

[94HCB08W](#) [94HCB10WR](#) [PT65503RT](#) [P60AS703](#) [P60A503](#) [P65THR101L254](#) [RTE16 LFTSVTPL 13613](#) [GSDR-10S](#) [CRD10CM0SBR](#)
[DRS4116](#) [RTE1600R44](#) [ERD110RSZ](#) [ERD116CSZ](#) [ERD116RSZ](#) [94HBB16WT](#) [94HBB10WT](#) [94HAC10T](#) [94HAB16WT](#) [94HAB10WT](#)
[94HAB10RAT](#) [94HAB08WT](#) [ERD216RSZ](#) [ND3FR10P](#) [DRR3110](#) [S-4010TA](#) [94HCB16WT](#) [94HCB16T](#) [94HCB10RAT](#) [94HCB08T](#)
[94HAB16RAT](#) [94HAB10T](#) [94HAB08T](#) [S-2031A](#) [S-1010A](#) [RTE1000V14](#) [RTBH31BS10ANNZP](#) [PT65501L254](#) [PT65127L254](#)
[PT65502L508](#) [1-1825007-1](#) [1-1825007-6](#) [ND3FR16B](#) [ND3FR16P-R](#) [RTE0400N04](#) [RTE1000N14](#) [RTE1002G14](#) [RTE1002N14](#)
[RTE1010N14](#) [1825007-1](#) [1825008-2](#)