

PBA series

ATEX approved piezo switches



DISTINCTIVE FEATURES

Approved according to the ATEX 2014/34/EU directive

Sealed to IP66 (mounted on panel)

Easy to clean metal surface

Long life

Illuminated models



ENVIRONMENTAL SPECIFICATIONS

- Sealing : IP66 per IEC 60529 (switches mounted on panel)
- Operating temperature : -40 °C to +55 °C (-40 °F to +131 °F)



ELECTRICAL SPECIFICATIONS

- Rated voltage : 5 V to 24 VAC/DC max.
- Rated current : 200 mA max. at 6 VAC/DC
50 mA max. at 24 VAC/DC (power limited to 1.2 W for user group II)
- Contact resistance (ON) : 10 Ω max.
- Insulation resistance (OFF) : 5 M Ω min.
- Make impulse time : depending on actuating force and speed
- LED : 5 VDC, 10 mA to 20 mA depending on model



GENERAL SPECIFICATIONS

- Operating force : 2 to 6 N
- Torque : 2.5 Nm max.
- Life expectancy : 50 million cycles
- EMC compatibility according to EN 61058-1
- In accordance with EN 60079:2009* ; EN 60079-26:2007 ; EN 60079-11:2012 ; EN 50303:2000

*Changes to the latest standards EN 60079-0:2012 do not affect compliance with the essential requirements.

The company reserves the right to change specifications without notice.



PBA series

ATEX approved piezo switches



MATERIALS

- Case : 316L stainless steel
- Terminals : multi-wire leads
0.22 mm², length 300 mm (11.81)

APEM products may be recycled at end-of-life for the re-claiming of valuable metal components.

AGENCY APPROVAL



II 1 G D ; I M1

Ex ia IIC T4 Ga ; Ex ia I Ma
Ex ia IIIC T135°C Da IP66

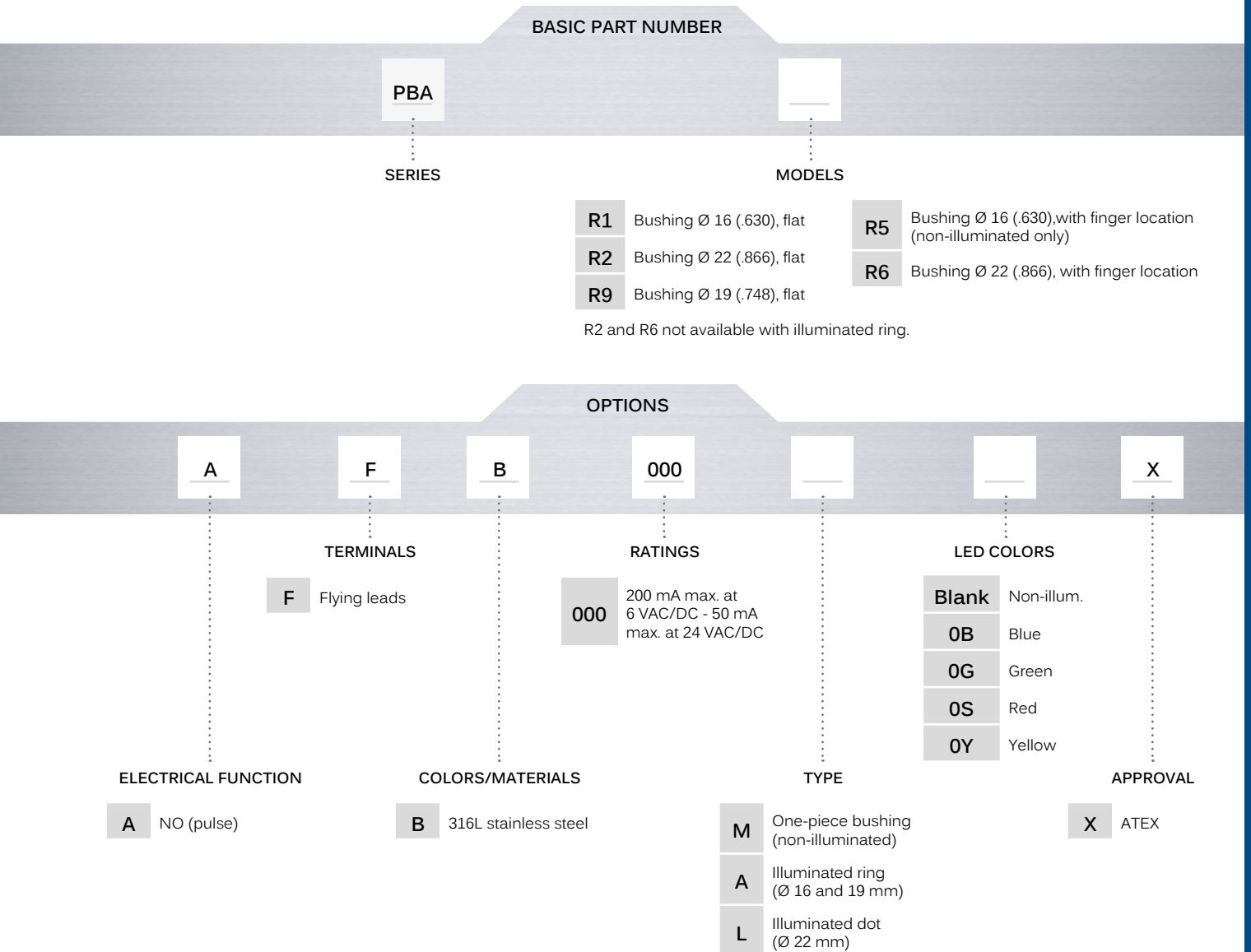
Usage : mines full of fire damp and potentially explosive atmospheres of groups IIC, IIB et IIA in T4 temperature class and/or in the presence of combustible dust (T135°C).

PBA series

ATEX approved piezo switches



BUILD YOUR PART NUMBER



ABOUT THIS SERIES



Instructions for use : see instruction notice NTPBA007.



Mounting accessories : Standard hardware supplied : 1 hex nut 10-621 (19 mm ac. flats), 10-855-0 (22 mm ac. flats) or 10-856-0 (25 mm ac. flats), 1 O-Ring and 1 ground connector

PBA series

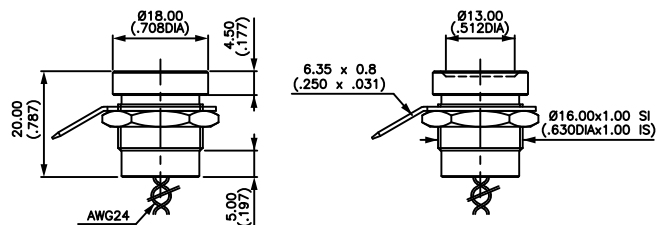
ATEX approved piezo switches

Ø16 (.630) BUSHING - NON-ILLUMINATED



PBAR1AFB000MX

PBAR5AFB000MX



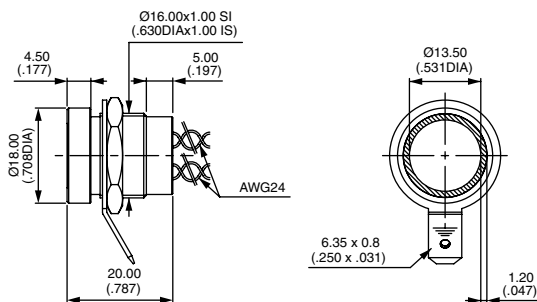
R1

R5

Ø16 (.630) BUSHING - WITH ILLUMINATED RING



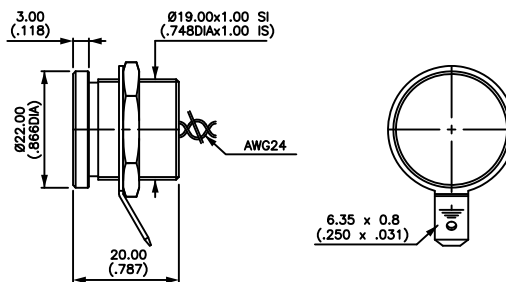
PBAR1AFB000A•X



Ø19 (.748) BUSHING - NON-ILLUMINATED



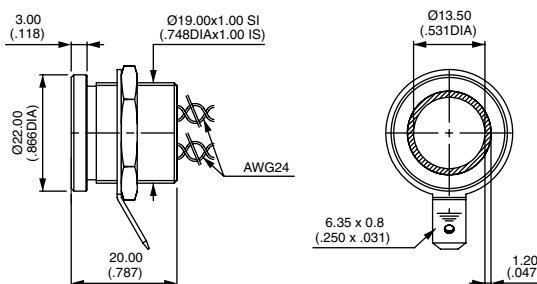
PBAR9AFB000MX



Ø19 (.748) BUSHING - WITH ILLUMINATED RING



PBAR9AFB000AX



PBA series

ATEX approved piezo switches

Ø22 (.866) BUSHING - NON-ILLUMINATED



PBAR2AFB000MX

PBAR6AFB000MX

Ø22 (.866) BUSHING - WITH ILLUMINATED DOT

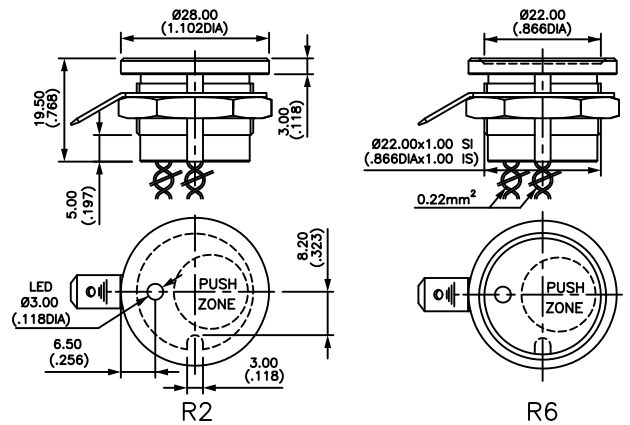
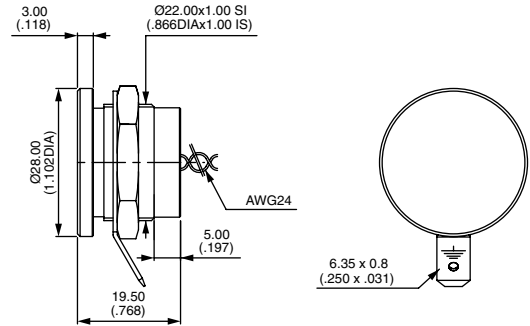


PBAR2AFB000L•X

PBAR6AFB000L•X

To order a product, replace • by the LED color code below :

- 0B Blue
- 0G Green
- 0S Red
- 0Y Yellow



X-ON Electronics

Largest Supplier of Electrical and Electronic Components

Click to view similar products for [Pushbutton Switches](#) category:

Click to view products by [Apem](#) manufacturer:

Other Similar products are found below :

[8971K1133](#) [LW2L-M1C20M-A](#) [M22-D-R-GB0/K11](#) [701PB580](#) [7199K101](#) [810K12910](#) [810KSV30B](#) [FLT 2U EE 01A](#) [MML21EA2ADK](#)
[MML21KA3ABK](#) [MML23KA3AC05K-001](#) [MML23KW3AA01W](#) [8418K2](#) [8442K3](#) [8450K1](#) [860K11911T01A](#) [861901](#) [861K11911T01A07](#)
[861K13810T00A14](#) [861K13911](#) [8646AB6X718UL](#) [9533CD4+U574+U4922](#) [99-450.837](#) [99-453.837](#) [A2PMA1X03EC56](#) [A3A-7310](#) [A3A-](#)
[7340](#) [12037A2ULCSA](#) [1203A2UL](#) [ABGW410-R](#) [ABN400-R](#) [121382](#) [1213C3](#) [HE3B-M2](#) [121194](#) [1212MRA](#) [1241.1183.7047](#) [121489](#)
[1223A2ULCSA](#) [1241.1183.8000](#) [1241.1183.8029](#) [D5P-MT4](#) [13435AG](#) [13445AD29GX768](#) [AG23-L2](#) [AH165-2SGLG1TE3](#) [AH165-](#)
[TGFY22](#) [AH165-TGL5Y11E3](#) [AH165-TGLR11AA3](#) [AH165-TL5Y22E](#)