

MJTP/PHAP33 series

6mm & 4mm Square tact switches •
Surface mount

DISTINCTIVE FEATURES

- Numerous single pole / single throw momentary configurations
- Excellent tactile feedback (snap dome)
- Ultra compact size
- Long operating life for high reliability
- Molded-in terminals minimizing wicking of flux or solder

ENVIRONMENTAL SPECIFICATIONS

- Operating Temperature: -20 °C to +70 °C (-4°F to +158 °F)
- Storage Temperature: -30 °C to +80 °C (-22 °F to +176 °F) for 96 hours
- Reflow soldering: peak 255 °C for 5 seconds max

ELECTRICAL SPECIFICATIONS

- Contact rating: 50 mA 12VDC
- Contact Resistance: 100 mΩ - 500 mΩ max. depending on series
- Insulation Resistance: 100 MΩ min. at 100VDC
- Dielectric withstanding voltage: 250 VAC for 1 minute
- Electrical life: 100,000 cycles min.
- Contact bounce: Less than 10 msec.

MECHANICAL SPECIFICATIONS

- Operating force: 160 - 260 gf
- Mechanical life:
 - 50,000 - 100,000 cycles min. depending on series
- Plunger travel: .010" + .008", .004" (0.25 + 0.2, -0.1mm)



MATERIALS

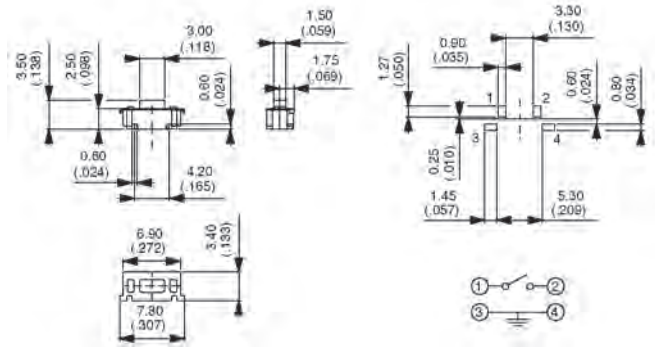
- Body: High temperature 4/6 nylon - UL94HB
- Contact: Phosphor bronze or stainless steel with silver plating
- Cover: PET film, tin plated brass or stainless steel
- Terminals: Silver plated brass
- Actuator: High temperature 4/6 nylon - UL94HB
- MJTP1138/PHAP3368: High temperature LCP - UL94V0 (Body + actuator)

MJTP/PHAP33 series

6mm & 4mm Square tact switches • surface mount

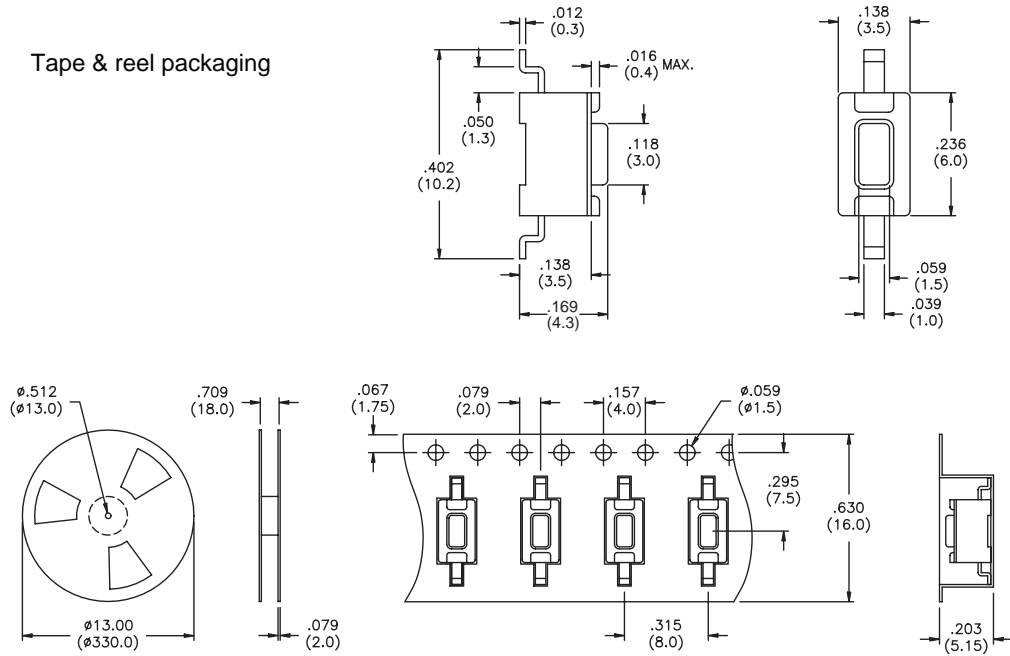
PHAP3355R

Tape & reel packaging



MJTP1106STR
PHAP3361R

Tape & reel packaging



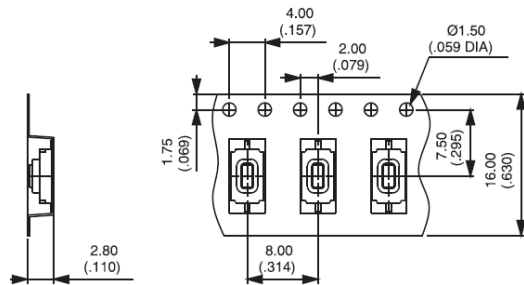
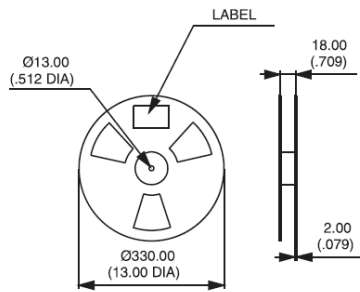
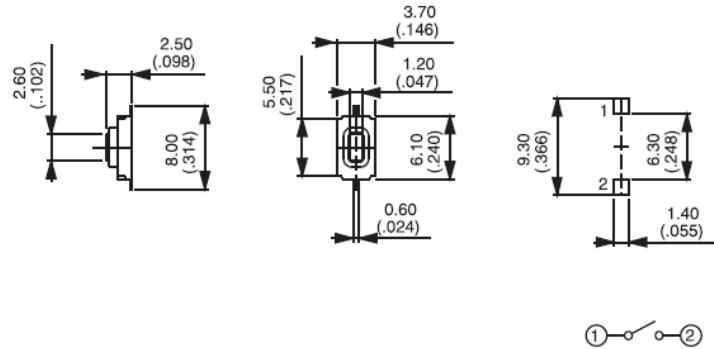
Tape & reel packaging: quantity 1800 per reel

MJTP/PHAP33 series

6mm & 4mm Square tact switches • surface mount

PHAP3365R

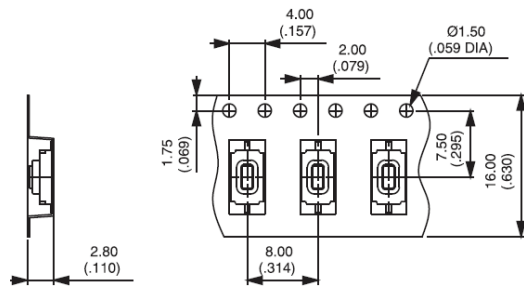
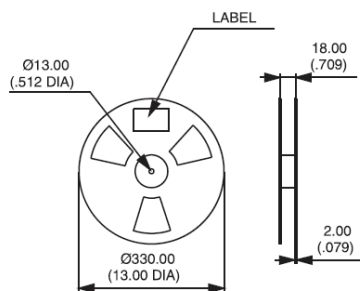
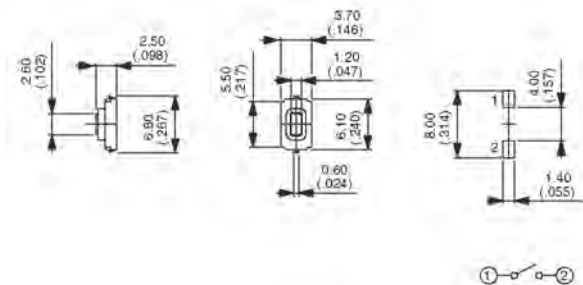
Tape & reel packaging



Tape & reel packaging: quantity 3,000 per reel

PHAP3366R

Tape & reel packaging



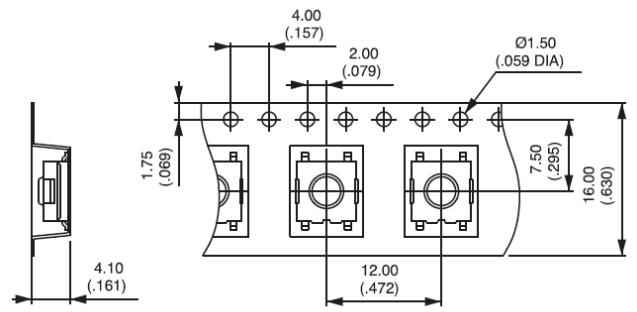
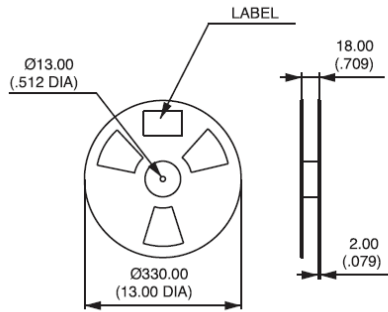
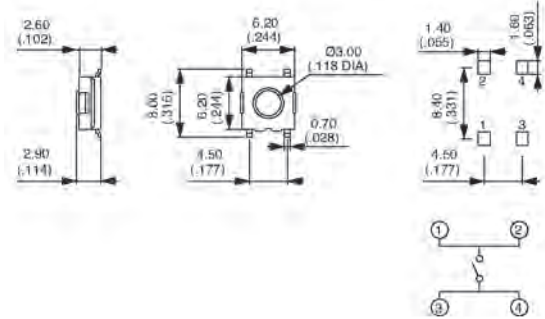
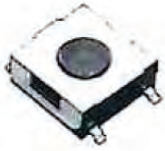
Tape & reel packaging: quantity 3,000 per reel

MJTP/PHAP33 series

6mm & 4mm Square tact switches • surface mount

PHAP3373

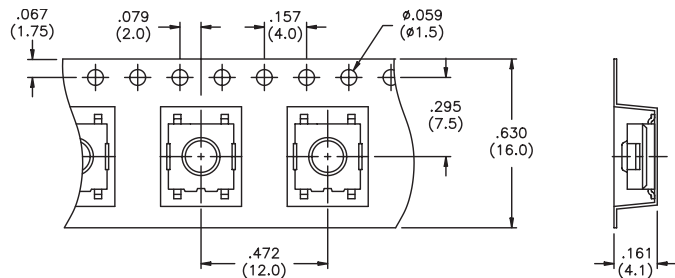
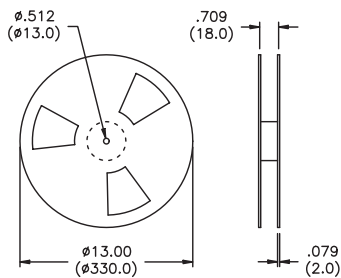
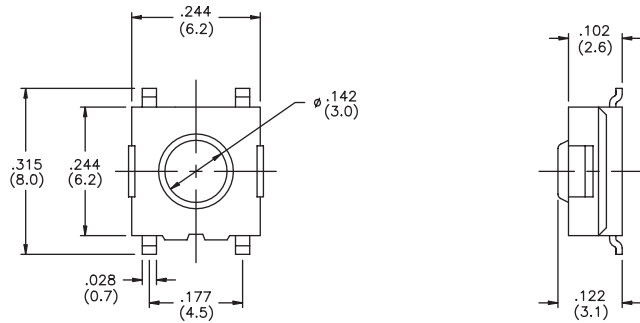
Tape & reel packaging



Tape & reel packaging: quantity 1.700 per reel

MJTP1122TR
PHAP3374R

Tape & reel packaging



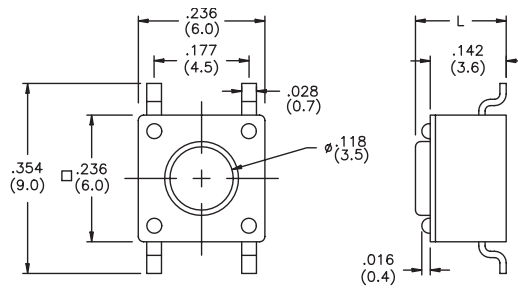
Tape & reel packaging: quantity 1800 per reel

MJTP/PHAP33 series

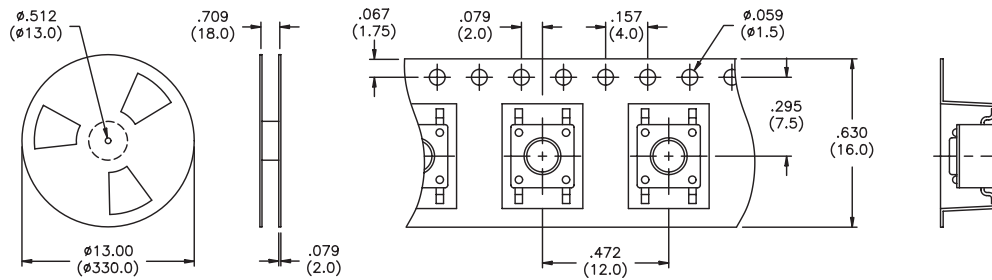
6mm & 4mm Square tact switches • surface mount

MJTP1138TR
PHAP3368R

Tape & reel packaging

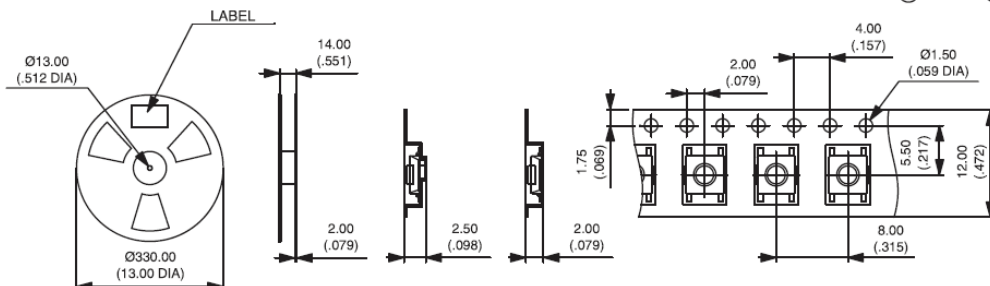
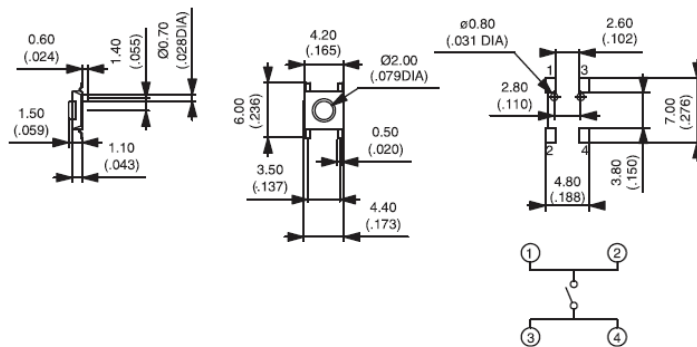
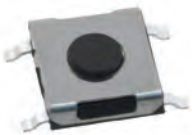


Model #	Dimensions L (in/mm)	Quantity per reel
MJTP1138TR/PHAP3368R	.170 (4.3)	1200
MJTP1138ATR/PHAP3368AR	.197 (5.0)	1200
MJTP1138BTR/PHAP3368BR	.374 (9.5)	500
MJTP1138CTR/PHAP3368CR	.315 (8.0)	700
MJTP1138DTR/PHAP3368DR	.512 (13.0)	500
MJTP1138ETR/PHAP3368ER	.275 (7.0)	750



PHAP3390

Tape & reel packaging



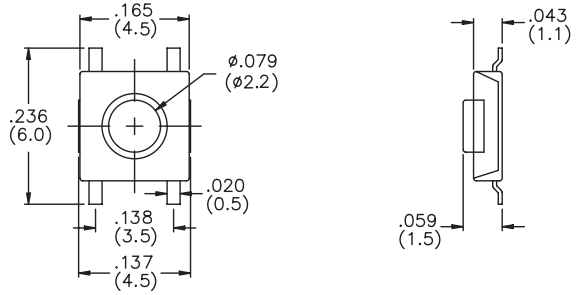
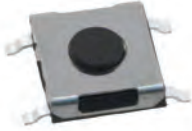
Tape & reel packaging: quantity 3,400 per reel

MJTP/PHAP33 series

6mm & 4mm Square tact switches • surface mount

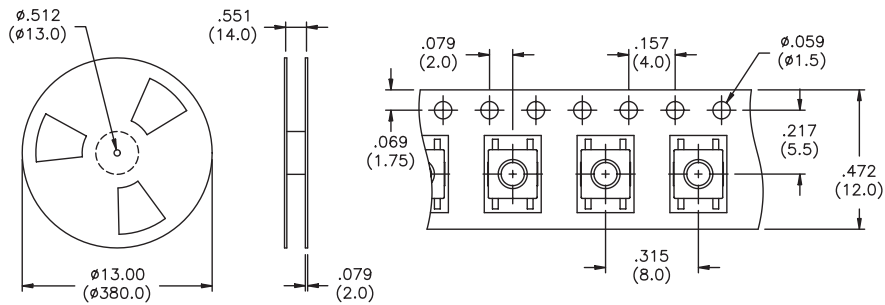
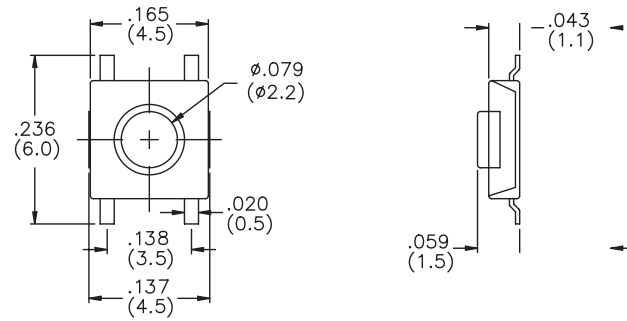
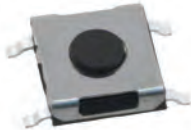
MJTP1140A
PHAP3391

Bulk packaging



MJTP1140ATR
PHAP3391R

Tape & reel packaging



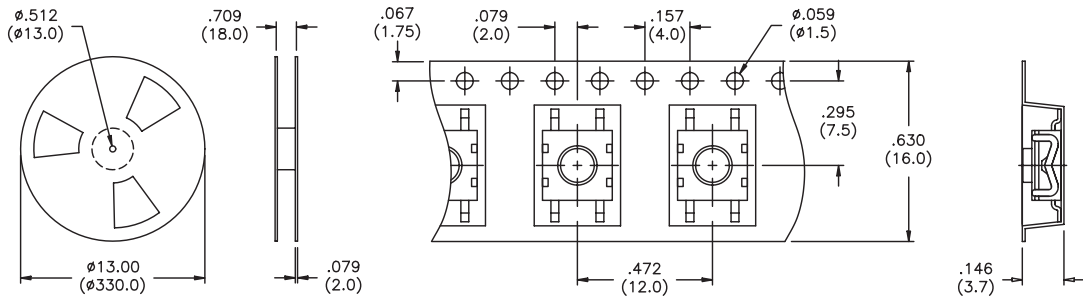
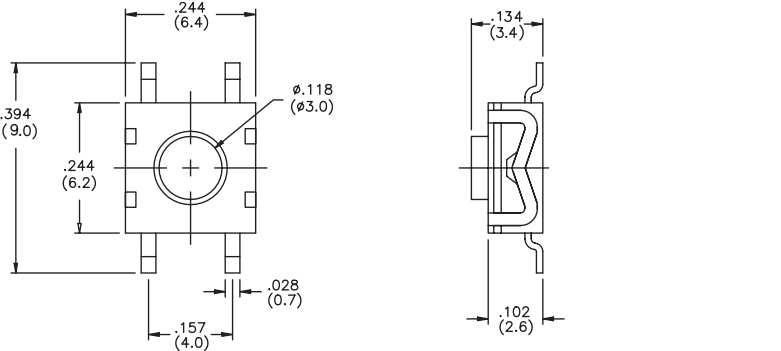
Tape & reel packaging: quantity 3400 per reel

MJTP/PHAP33 series

6mm & 4mm Square tact switches • surface mount

MJTP1162ATR
PHAP3371AR

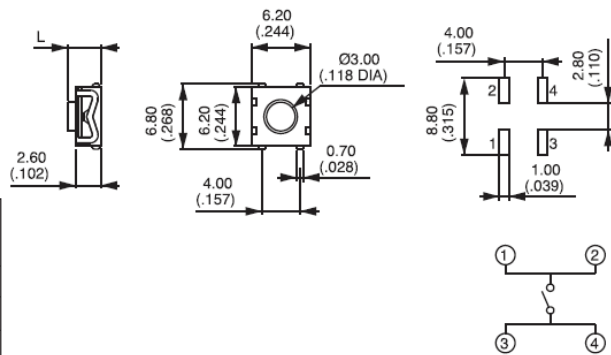
Tape & reel packaging



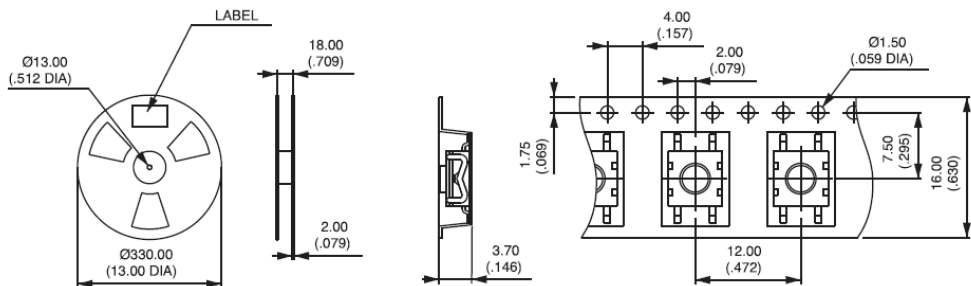
Tape & reel packaging: quantity 1600 per reel

PHAP3372

Sealed with rubber stem
Tape & reel packaging



Model #	Dimensions L (in/mm)	Quantity per reel
PHAP3372R	.102 (2.6)	1600
PHAP3372AR	.134 (3.4)	1600
PHAP3372BR	.169 (4.3)	1000
PHAP3372DR	.193 (4.9)	1000
PHAP3372CR	.201 (5.1)	1000
PHAP3372ER	.217 (5.5)	1000



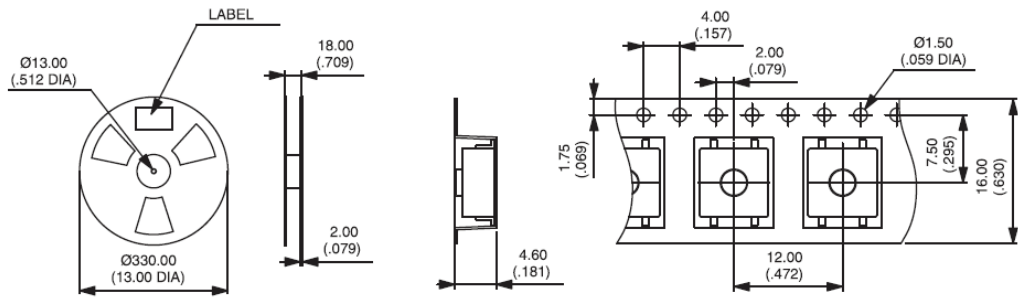
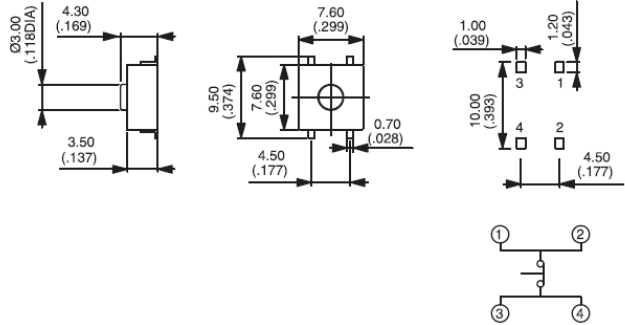
Tape & reel packaging: quantity 1,600 per reel

MJTP/PHAP33 series

6mm & 4mm Square tact switches • surface mount

PHAP3378R

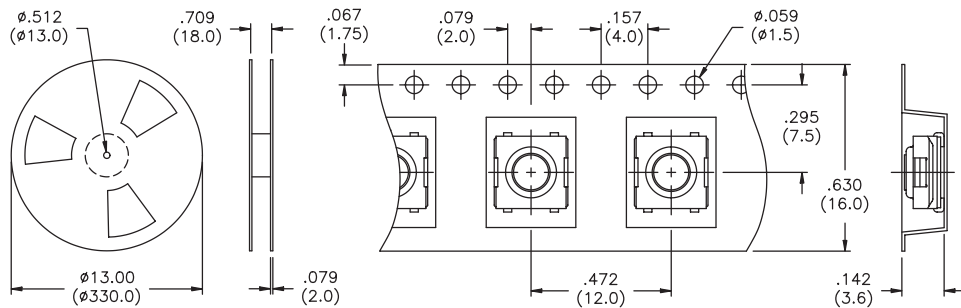
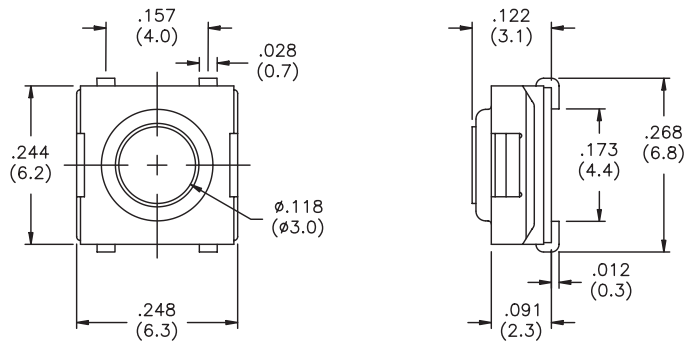
Normally closed
Tape & reel packaging



Tape & reel packaging: quantity 1,300 per reel

MJTPSJW66NTR

Tape & reel packaging



Tape & reel packaging: quantity 1900 per reel

MJTP/PHAP33 series

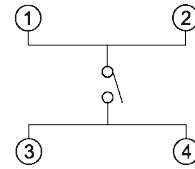
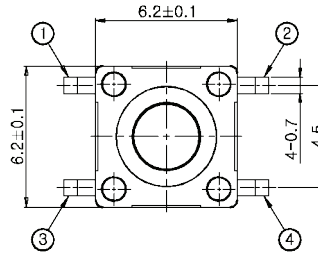
6mm & 4mm Square tact switches • surface mount

PHAP3344

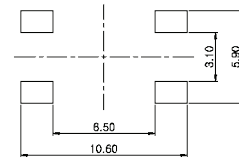
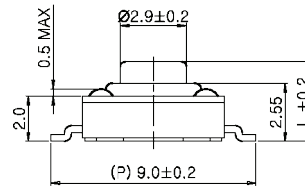


Waterproof IP67, long life
Tape & reel packaging

Model #	Dimensions L (in/mm)	Quantity per reel
PHAP3344R	.122 (3.1)	1600
PHAP3344AR	.138 (3.5)	1600
PHAP3344BR	.169 (4.3)	1000
PHAP3344CR	.197 (5.0)	1000
PHAP3344DR	.374 (9.5)	500
PHAP3344ER	.433 (11.0)	500



Circuit diagram

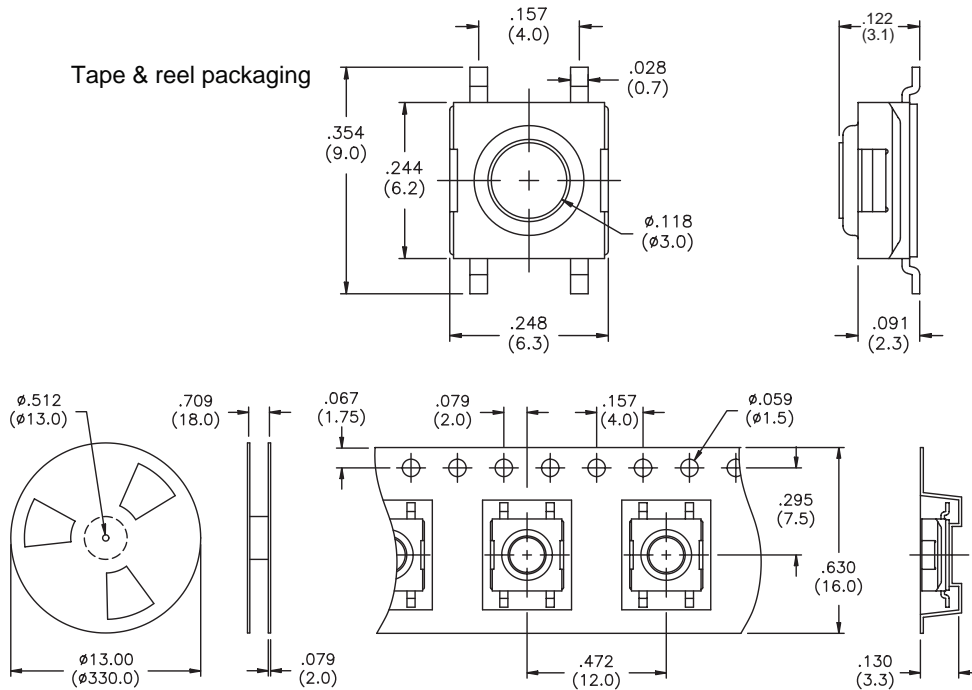


PCB Dimension

MJTPSMWTR



Tape & reel packaging



Tape & reel packaging: quantity 75 per reel (1050 MOQ)

MJTP/PHAP33 series

6mm & 4mm Square tact switches • surface mount

SCHEMATICS	
MJTP1122/PHAP3374 MJTP1138/PHAP3368 MJTP1140/PHAP3391 MJTP1162/PHAP3371A MJTPSJW66N MJTPSMW	
MJTP1106 PHAP3361	

PRINTED CIRCUIT BOARD LAYOUTS		
Layout tolerances - Linear: $\pm .004''$ ($\pm 0.1\text{mm}$) Holes: $\pm .002''$ ($\pm 0.05\text{mm}$) Pads: $\pm .008''$ ($\pm 0.2\text{mm}$)		
<p>MJTP1106S/PHAP3361</p>	<p>MJTP1122/PHAP3374</p>	<p>MJTP1138/PHAP3368</p>
<p>MJTP1140/PHAP3391</p>	<p>MJTP1162/PHAP3371A</p>	<p>MJTPSMW</p>

X-ON Electronics

Largest Supplier of Electrical and Electronic Components

Click to view similar products for [Tactile Switches](#) category:

Click to view products by [Apem](#) manufacturer:

Other Similar products are found below :

[6407-250V-25273P](#) [ADTSA62NV](#) [B3F-3123](#) [1977177-8](#) [1977266-1](#) [ADTSA63NV](#) [ADTSM21NSVTR](#) [ADTSM25RVTR](#) [ADTSM32NVTR](#)
[ADTSMW64RV](#) [1977120-6](#) [FSMRA4JHA04](#) [GS4.70F300QP](#) [KSC241J SP DELTA LFS](#) [3FTL600RAS](#) [3FTL640RAS](#) [Y96K132V0FPLFS](#)
[09158](#) [6407-250V-25343P](#) [ADTSM31NVTR](#) [2-1977120-7](#) [TSJW-5.2-260-TR](#) [TME1-01-Z](#) [Y651050400P](#) [KMT011MNGJLHS](#) [70-201.0](#)
[ADTSG648NV](#) [ADTSM62KSVTR](#) [ADTSM648NV](#) [95C06E3RAT](#) [3ATH9Q](#) [FSMRA8JHA04](#) [HARS0073](#) [Y33R411N9FPLFT](#)
[Y33R51139FPLFT](#) [Y31C01402FPLFS](#) [PTS645SK50SMTR92](#) [ADTSM32NVB](#) [KMS233GPWTLFG](#) [Y78B64124FP](#) [Y33A812C5FP LFT](#)
[Y56B2D120FP LFS](#) [PTS645 DVM83-BN125-2 LFS](#) [B3W 1000G](#) [B3F 1002C](#) [B3F 0047H](#) [B3W 1002C](#) [B3F 5001G](#) [B3W 1100C](#) [1-](#)
[1571563-4](#)