

R series

Removable bezel trackball

Distinctive features and specifications



- Available with 1.50" and 2.00" diameter ball
- Removable bezel
- Compact design
- Backlit illumination available
- Additional button strips available
- Environmental Protection Classification (IP Rating): contact factory

MECHANICAL

	R150	R200
• Ball Diameter:	1.50" (38.10mm)	2.00" (50.80mm)
• Ball Rotation:	Continuous in all directions	Continuous in all directions
• Tracking Force:	10g (0.35oz)	10g (0.35oz)
• Weight:	97g (3.42oz)	235.5g (8.31oz)
• Life Cycle (ball rotations):	5 million	5 million
• Operating Temperature:	-40°C to +85°C (-40°F to 185°F)	-40°C to +85°C (-40°F to 185°F)

PROTOCOL OPTIONS AND ELECTRICAL SPECIFICATIONS

- **USB:** Input: 4.75V – 5.25V @ 25mA max (+30mA for backlit illumination option)
Output: USB 1.1
- **PS/2 (2/3BTN PS/2):** Input: 5.00V @ 25mA max (+30mA for backlit illumination option)
Output: CMOS/TTL

CONFIGURATION OPTIONS

- **LED backlighting:** Red, Blue, Green or Clear through a translucent Thermostat resin ball
- **Additional pushbutton switch:** Two, three or four* buttons (* USB only) – see Button Strips
- Connector cables
- Conformally coated PCB

NOTE: All values are nominal.

MOUNTING OPTIONS

- 180° horizontal to 90° vertical – please specify when ordering.

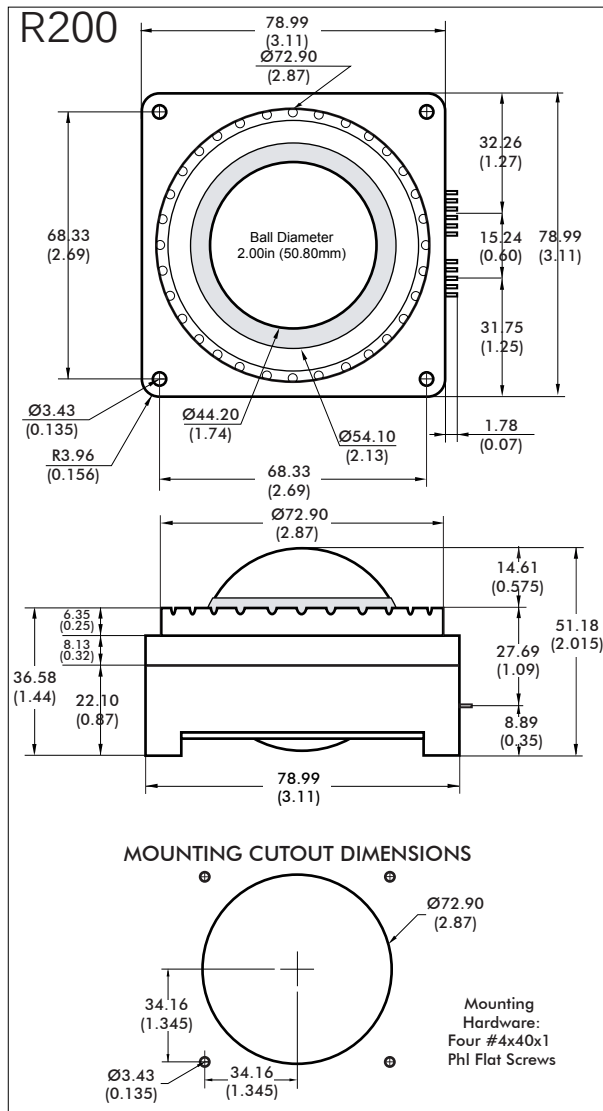
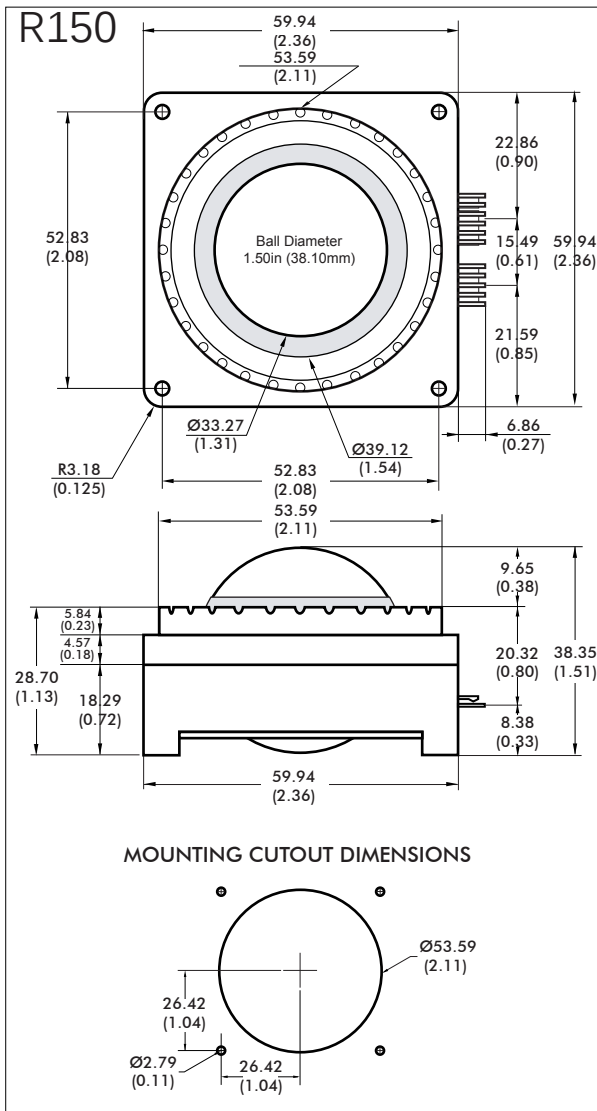
SERIES	MODEL (Ball Diameter)	PROTOCOL FORMAT	MOUNTING POSITION	RESOLUTION	POWER REQUIREMENT	ILLUMINATION
R	150 1.50" (38.1mm) 200 2.00" (50.8mm)	3 PS/2 (2/3 btn) 7 USB	F - Level to 45° N - Level to 90° X - N/A	10 - 120 resolution 20 - 240 resolution 30 - 480 resolution	V00 5V Regulated R00 RS-232* (DTR & RTS)	R Red B Blue G Green C Clear Black*

*Microsoft Protocol only * Non-illuminated

Note: The company reserves the right to change specifications without notice.

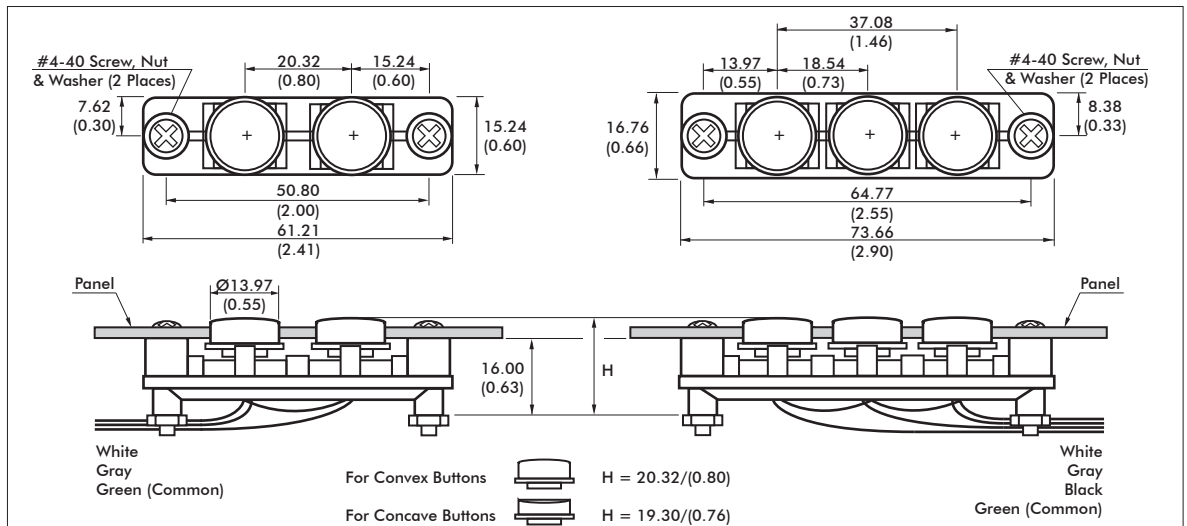
R series

Removable bezel trackball



BUTTON STRIP FEATURES

- Two, three, or four* (*USB only) buttons
- Tactile feedback
- Normally open momentary contact switch
- 5 million lifecycles rating at 500mA at 12VDC
- Black or gray button caps
- Choice of convex or concave design



NOTE: All dimensions are in mm/(inch).

Note: The company reserves the right to change specifications without notice.

X-ON Electronics

Largest Supplier of Electrical and Electronic Components

Click to view similar products for [Input Devices](#) category:

Click to view products by [Apem](#) manufacturer:

Other Similar products are found below :

[80260-00](#) [81485-28](#) [81521-08](#) [FKB4720-103](#) [84250-26](#) [84980-04](#) [84S-AC1-000](#) [JD-0700EU-2](#) [JM-0800-2](#) [JW-T0100](#) [89498-13](#) [89758-05](#)
[89886-26](#) [89941-00](#) [G80-3000LSCEU-2](#) [MJ0FGGRY](#) [JM-0800-0](#) [84S-BB1-004](#) [81601-26](#) [UL21KMZQ](#) [G8011900LPMUS0](#) [G84-](#)
[4700LUCUS-0](#) [81485-26](#) [84105-13](#) [V400-W24 5M](#) [V400-W23 5M](#) [G84-5200LCMEU-2](#) [DT2257X20V00GRY](#) [V400-W23P 5M](#)
[VW3A8151R20U](#) [V400-W24 15M](#) [LT1332D](#) [V400-W24 10M](#) [V400-W24P 15M](#) [V400-WM0 1M](#) [V400-W24P 10M](#) [V400-W23P 10M](#)
[TCS-1492OP](#) [V400-W23 3M](#) [LT1372D](#) [LP1007EXXH00R](#) [DT2253X20V00BLK](#) [100133BX](#) [EZ08-230013](#) [81248-04](#) [89887-26](#) [90215-00](#)
[HB110C3NWBNA](#) [9700001201](#) [80260-08](#)