

New! RH SERIES SNAP-IN ROCKER SWITCHES

FEATURES

- Cost effective illuminated or non-illuminated models.
- Single pole maintained action models.
- Actuator and case color selections.
- Standard actuator marking options.

SPECIFICATIONS

Contact ratings:	16A 125VAC 1/4 HP (UL/CSA). 16A 250VAC 1/4 HP (UL/CSA). 20A 125VAC 3/4 HP 250VAC (UL) 16(4)A 250V ~ T85 1E4 10(2)A 250V ~ 5E4 (VDE, SEMCO, NEMCO, DEMCO, FIMCO, SEV).
Initial contact resistance:	20 milliohms max.
Insulation resistance:	100 megohms min. at 500 V
Dielectric strength:	1000 VAC for 1 minute
Electrical life:	16(4)A 250VAC: 10,000 cycles 10(2)A 250VAC: 50,000 cycles
Operating temperature range:	-20°C to 85°C

MATERIALS

Contacts:	Silver cadmium alloy	Lamps:	Neon or fluorescent.
Terminals:	Silver plated copper		Illumination available
Actuator:	Nylon type 66 or PC (UL94V-2 min.)		only with function 1 (ON OFF).
Case:	Nylon type 66 (UL94V-2 min.)		

AGENCY RECOGNITION



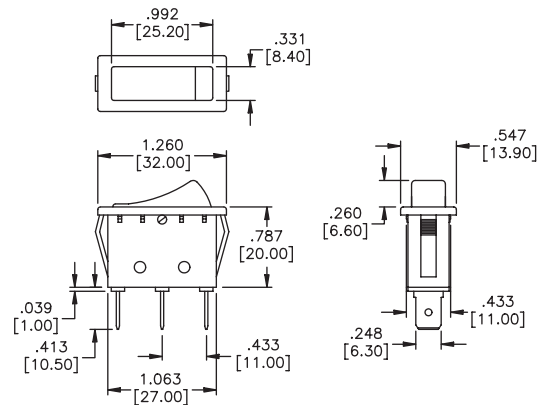
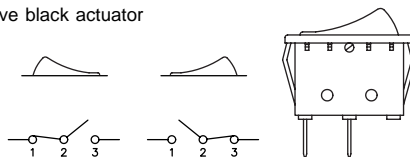
UL, CSA, VDE, SEMKO, NEMKO, DEMKO, FEMKO, & SEV. Models are supplied with agency markings.

Quick connect terminals - curved actuator



MODEL NO.	CIRCUIT
RH110C2NBB	ON OFF
RH120C2NBB	ON ON
RH130C2NBB	ON OFF ON

Above models have black actuator and black case.

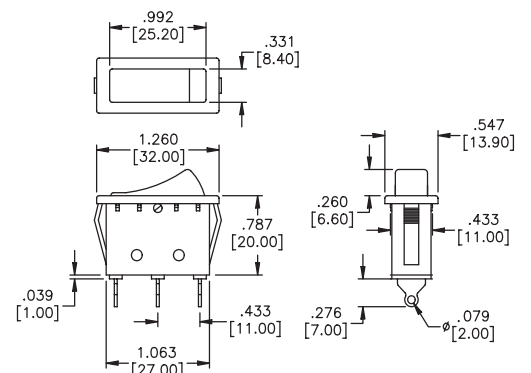
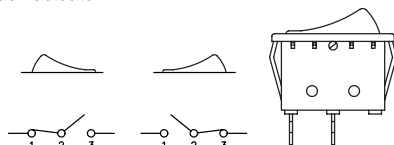


Solder lug terminals - curved actuator



MODEL NO.	CIRCUIT
RH111C2NBB	ON OFF
RH121C2NBB	ON ON
RH131C2NBB	ON OFF ON

Above models have black actuator and black case.



SPECIFICATIONS SUBJECT TO CHANGE WITHOUT NOTICE

N

New! RH SERIES SNAP-IN ROCKER SWITCHES

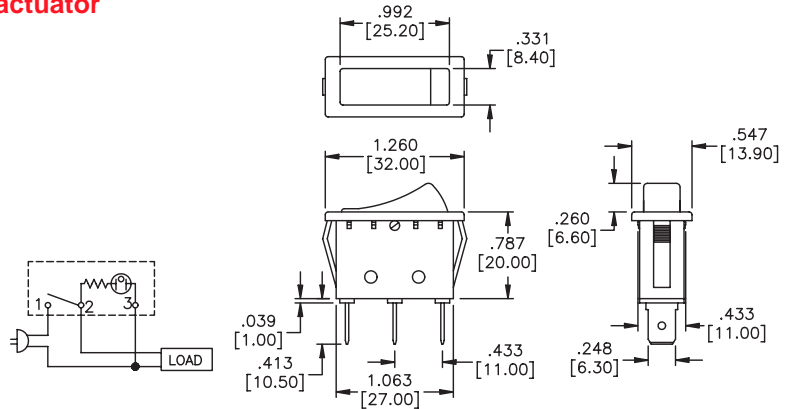
N

Illuminated - quick connect terminals - curved actuator



MODEL NO.	CIRCUIT
RH110C2LBR	ON OFF
RH120C2LBR	ON ON
RH130C2LBR	ON OFF ON

Above models have red actuator and black case.



Additional ordering information: Commonly ordered models are shown above with complete model numbers and specifications. Below is an order format that enables you to 'build your own switch' and specify the correct switch model number by simply selecting from all available options shown and filling in the boxes.

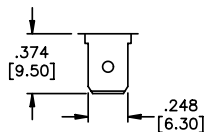
'BUILD YOUR OWN SWITCH' ORDER FORMAT

Fill in boxes with selections shown for complete model number.
Allowable selections are shown below each respective box.

Series	Number of poles	Electrical functions	Terminals	Actuator type	Marking/ lens color
<input type="checkbox"/> R <input type="checkbox"/> H	<input type="checkbox"/> 1 Single pole	<input type="checkbox"/>	<input type="checkbox"/>	<input type="checkbox"/>	<input type="checkbox"/>
		1 ON OFF 2 ON ON 3 ON OFF ON 6 MOM OFF MOM	0 Quick-connect *1 Solder lug <small>*Solder lug terminals not available with electrical function 3</small>	C Curved F Flat S Ergonomic <small>Notes: only flat actuator is available with full illumination-i.e.-no lens. Ergonomic actuator available only with functions 1 & 2 and no illumination.</small>	1 HI LO 2 No marking 3 ON OFF 4 O I 5 O — 6 O II G Green lens R Red lens O Orange lens
Illuminated type	Case color	Actuator color			
<input type="checkbox"/>	<input type="checkbox"/>	<input type="checkbox"/>			
L Illuminated N non-illum. <small>*C round lens <input type="checkbox"/></small> <small>*R square lens <input type="checkbox"/></small> <small>* Curved actuator only</small>	A Gray B Black W White	B Black G Green O Orange R Red W White Y Yellow	<div style="border: 1px solid black; padding: 5px; width: fit-content; margin: 0 auto;"> <p>Example of completely specified model number:</p> <p style="text-align: center;">RH130C6GLBR</p> </div>		

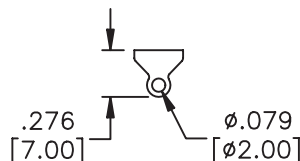
TERMINALS

QUICK-CONNECT



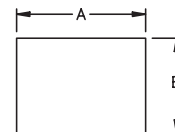
0

SOLDER LUG



1

PANEL CUT-OUTS



pl. tk'ness.	A +0, -.004	B +.006, -.0
.029-.049"	1.181"	.433"
.050-.078"	1.189"	.433"
.079-.118"	1.200"	.433"

X-ON Electronics

Largest Supplier of Electrical and Electronic Components

Click to view similar products for [Rocker Switches](#) category:

Click to view products by [Apem](#) manufacturer:

Other Similar products are found below :

[LTI LA6E-1S-WH-RC-FN12VXCR1](#) [6-1571986-9](#) [8007K26N324V52](#) [8055K32Z7V](#) [8055K52Z7V](#) [8138K20E6M50](#) [84206L](#) [84312LX](#)
[PREDD5-07F-BB0GW](#) [999-16716-002](#) [999-16716-003](#) [999-16716-004](#) [A101J1V3Q004](#) [A101J2ZQ004](#) [A101J4ZQ004](#) [A101J51CB0004](#)
[A103J1ZQ004](#) [A201J1AQ004](#) [A201J3ZB004](#) [A201J50ZQ004](#) [A203J51ZQ0004](#) [A435S1YZQ](#) [H8500XBBBBBL-A](#) [H8653VBBG2577W](#)
[HB130CHNWWNAAC](#) [R13112ABB-602W](#) [1251.0303](#) [AE205J60V3B004](#) [1352.0107](#) [1500G51E](#) [1571099-3](#) [1571987-4](#) [1571987-5](#)
[1571989-7](#) [1571988-5](#) [B123J77V7B2](#) [B226J50W4Q22P](#) [B433J37ZQ22M](#) [160212E](#) [1634200-7](#) [1801.1164](#) [1839.1502](#) [PANEL-PLUG-VHP-](#)
[BLACK](#) [PANEL-PLUG-VHP-WT](#) [K1ABBSCADN](#) [K2ABAAAAAA](#) [KG312A2DXD246X](#) [250011E714](#) [2600HM11E](#) [2600R21E](#)