

S and SR series

Washable rocker and paddle switches

Distinctive features and specifications

UG1410A



☐ Sealed

- Secure assembly of the two case parts
- Internally sealed bushing
- Epoxy sealed terminals

☐ Process compatible (S series)

- Wave solderable
- Washable

☐ Optional ESD protection

ELECTRICAL SPECIFICATIONS

- Max. current/voltage rating with resistive load :
 - silver contacts (A or 1) : 4A 30VDC
 - brass, gold plated contacts (CD or 0) : 0,4VA 20VAC or DC
 - silver, gold plated contacts (AD or 2) : 4A 30VDC (300mA 30VDC for gold plating)
- Initial contact resistance : 10 mΩ max.
- Insulation resistance : 1.000 MΩ min.
- Dielectric strength : 1.000 Vrms 50 Hz min.
- Electrical life with nominal load :

Contacts	Number of cycles	
	2 positions	3 positions
A or 1	40.000	40.000
CD or 0	100.000	50.000
AD or 2	40.000	40.000

MATERIALS

- Case and cover : UL94-V0, polyamide, glass filled or PES
- Actuator : polyamide
- Contacts
 - CD or 0 : brass, gold plated
 - A or 1 : silver
 - AD or 2 : silver, gold plated
- Terminal seal : epoxy

GENERAL SPECIFICATIONS

- Mechanical strength :
Terminals are strengthened by a bracket or a ground plate ensuring the rigidity of the switch on the board. Actuator strength is 10N max.
- Operating temperature : -20°C to +85°C
- Storage temperature : -40°C to +85°C
- Moisture :
The insulating materials employed and the complete seal permit the switches to withstand a 56 days moisture test (IEC 68-2-3).
- Soldering - thermal shock (S series only) :
The switches are especially designed for flow soldering at 260°C during 5 seconds owing to high temperature polymer parts.
- Iron soldering (SR series) : 300°C 5 sec. max.
- Solderability : The switches are tested at 235°C according to IEC 68-2-20 after accelerated aging.

AGENCY APPROVALS

RU 2A 250VAC
4A 125VAC

Availability : consult factory for details of approved models.

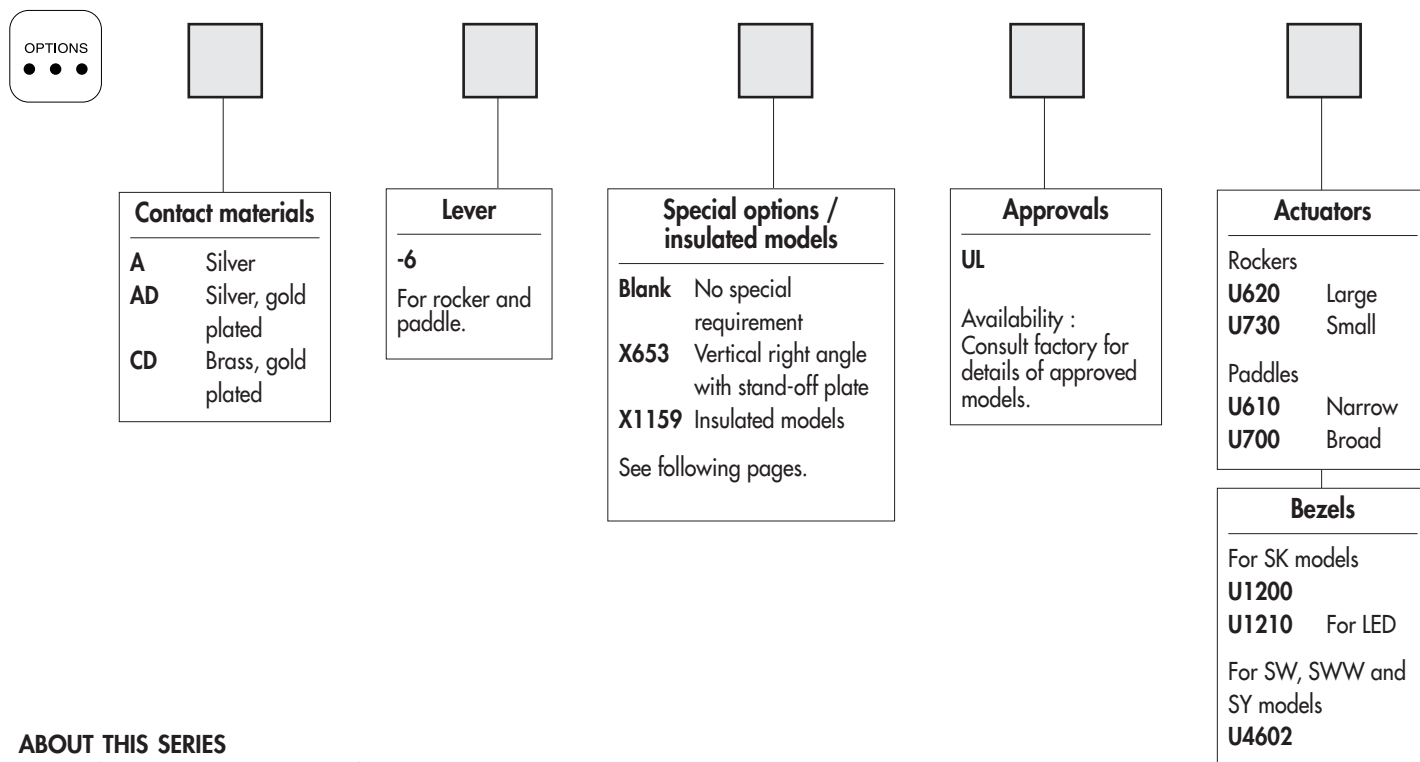
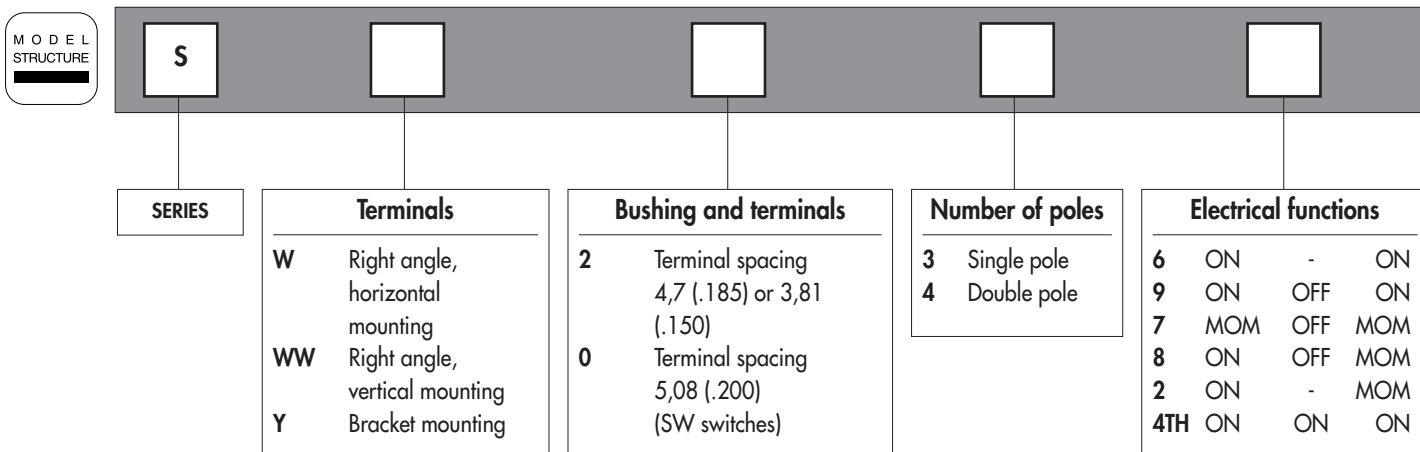
Marking : to order switches marked UL, complete appropriate box of ordering format.

The company reserves the right to change specifications without notice.

S series

Washable rocker and paddle switches

Overview



ABOUT THIS SERIES

On the following pages, you will find successively :

- model structure of switches
- options in the same order as above

Specifications are on previous page.

Dimensions : first dimensions are in mm while inches are shown as bracketed numbers.



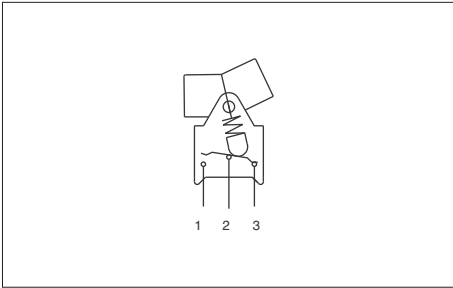
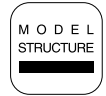
NOTICE : please note that not all combinations of above numbers are available. Refer to the following pages for further information.



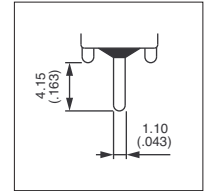
Packaging unit : 25 pieces to 50 pieces depending on models.

S series

Washable rocker and paddle switches



- Straight PC or right angle terminals
- Models with snap-in mounting (SK)
- Terminal spacing 4,7 (.185) or 5,08 (.200) on SW switches
- 1 and 2 pole configurations



MODEL STRUCTURE

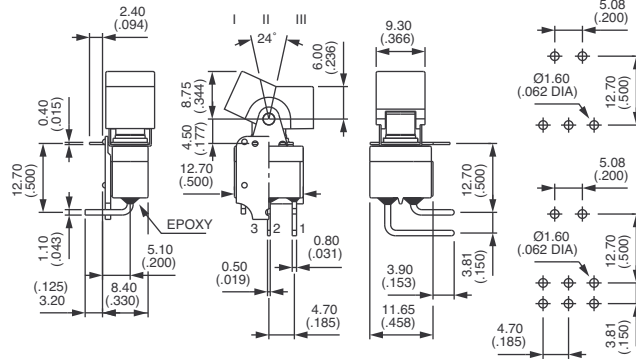


Shown with rocker U620

Right angle terminals - horizontal - spacing 4,7 (.185)



		III	II	I
Single pole	Double pole			
SW236-6	SW246-6	ON	-	ON
SW239-6	SW249-6	ON	OFF	ON
SW237-6	SW247-6	MOM	OFF	MOM
SW238-6	SW248-6	ON	OFF	MOM
SW232-6	SW242-6	ON	-	MOM
	SW244TH-6*	ON	ON	ON

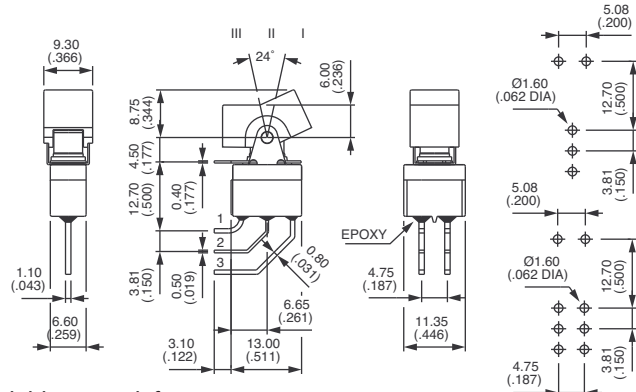


Single pole with stand-off plate, double pole without.

Right angle terminals - vertical



		III	II	I
Single pole	Double pole			
SWW236-6	SWW246-6	ON	-	ON
SWW239-6	SWW249-6	ON	OFF	ON
SWW237-6	SWW247-6	MOM	OFF	MOM
SWW238-6	SWW248-6**	ON	OFF	MOM
SWW232-6	SWW242-6**	ON	-	MOM
	SWW244TH-6*	ON	ON	ON

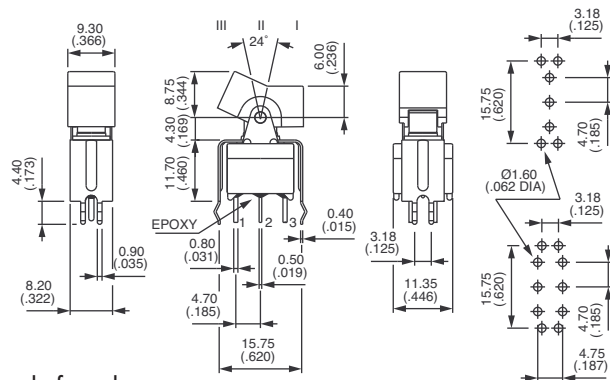


** Functions 2 and 8 : reversed connection available. Consult factory.

Bracket mounting



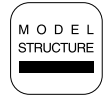
		III	II	I
Single pole	Double pole			
SY236-6	SY246-6	ON	-	ON
SY239-6	SY249-6	ON	OFF	ON
SY237-6	SY247-6	MOM	OFF	MOM
SY238-6	SY248-6	ON	OFF	MOM
SY232-6	SY242-6	ON	-	MOM
	SY244TH-6*	ON	ON	ON



* Function 4 : SP in DP case - TH connection, see end of catalogue.

S series

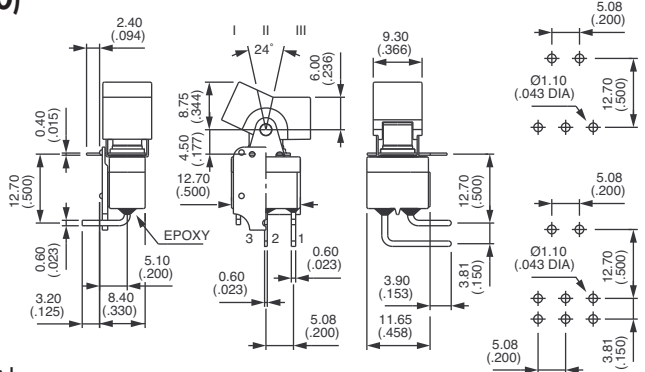
Washable rocker and paddle switches



Right angle terminals - horizontal - spacing 5,08 (.200)



		III	II	I
Single pole	Double pole			
SW036-6	SW046-6	ON	-	ON
SW039-6	SW049-6	ON	OFF	ON
SW037-6	SW047-6	MOM	OFF	MOM
SW038-6	SW048-6	ON	OFF	MOM
SW032-6	SW042-6	ON	-	MOM
	SW044TH-6*	ON	ON	ON

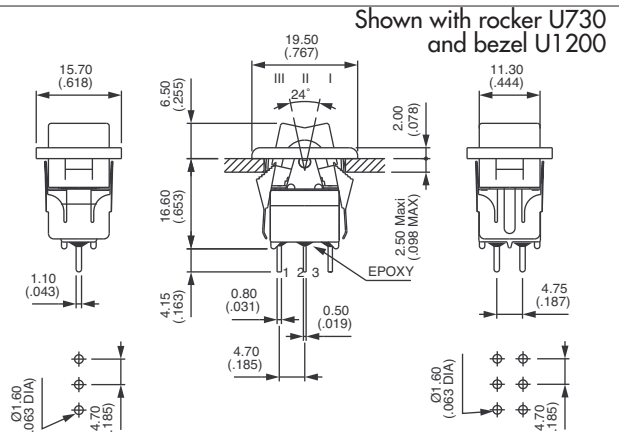


Single pole with stand-off plate, double pole without.

Straight PC terminals - snap-in mounting



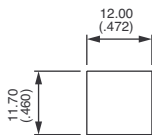
		III	II	I
Single pole	Double pole			
SK236-6	SK246-6	ON	-	ON
SK239-6	SK249-6	ON	OFF	ON
SK237-6	SK247-6	MOM	OFF	MOM
SK238-6	SK248-6	ON	OFF	MOM
SK232-6	SK242-6	ON	-	MOM
	SK244TH-6*	ON	ON	ON



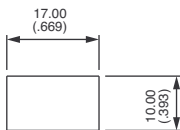
Shown with rocker U730 and bezel U1200

* Function 4 : SP in DP case - TH connection, see end of catalogue.

PANEL CUT-OUT

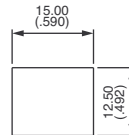


With rocker **U730**
or paddle **U700**



With rocker **U620**
or paddle **U610**

For SK only

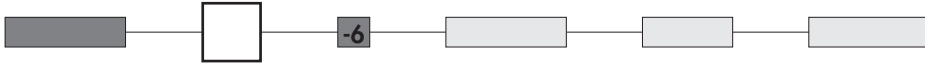




S series

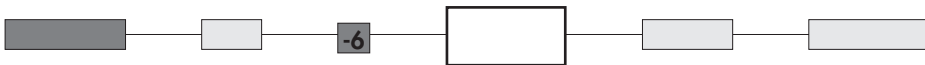
Washable rocker and paddle switches

CONTACT MATERIALS



- A Silver
- AD Silver, gold plated
- CD Brass, gold plated

SPECIAL OPTIONS / INSULATED MODELS



X653 Vertical right angle with stand-off plate

Shown with rocker U620

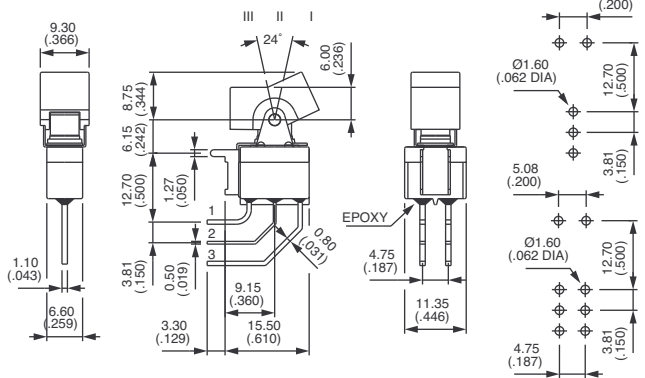


Single pole

	III	II	I
SWW236-6 X653	ON	-	ON
SWW239-6 X653	ON	OFF	ON
SWW237-6 X653	MOM	OFF	MOM
SWW238-6 X653	ON	OFF	MOM
SWW232-6 X653	ON	-	MOM

Double pole

SWW246-6 X653	ON	-	ON
SWW249-6 X653	ON	OFF	ON
SWW247-6 X653	MOM	OFF	MOM
SWW248-6 X653**	ON	OFF	MOM
SWW242-6 X653**	ON	-	MOM
SWW244TH-6 X653*	ON	ON	ON



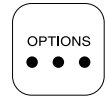
* Function 4 : SP in DP case - TH connection, see end of catalogue.
 ** Functions 2 and 8 : reversed connection available. Consult factory.

X601 Silver plated brass contacts
 Current/voltage rating for an electrical life of 20.000 cycles : 0,5A 30VDC
 Minimum quantity : 5.000 per type and shipment.

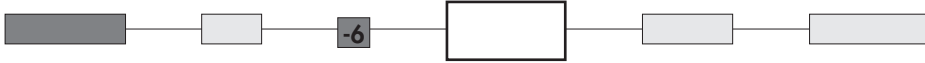


S series

Washable rocker and paddle switches



SPECIAL OPTIONS / INSULATED MODELS (continued)



X1159 Insulated model protected against E.S.D. up to 12 KV - Horizontal right angle

	III	II	I
Single pole			
SW236-6 X1159	ON	-	ON
SW239-6 X1159	ON	OFF	ON
SW237-6 X1159	MOM	OFF	MOM
SW238-6 X1159	ON	OFF	MOM
SW232-6 X1159	ON	-	MOM
Double pole			
SW246-6 X1159	ON	-	ON
SW249-6 X1159	ON	OFF	ON
SW247-6 X1159	MOM	OFF	MOM
SW248-6 X1159	ON	OFF	MOM
SW242-6 X1159	ON	-	MOM
SW244TH-6 X1159*	ON	ON	ON

Shown with rocker U620

X1159 Insulated model protected against E.S.D. up to 12 KV - Vertical right angle

	III	II	I
Single pole			
SWW236-6 X1159	ON	-	ON
SWW239-6 X1159	ON	OFF	ON
SWW237-6 X1159	MOM	OFF	MOM
SWW238-6 X1159	ON	OFF	MOM
SWW232-6 X1159	ON	-	MOM
Double pole			
SWW246-6 X1159	ON	-	ON
SWW249-6 X1159	ON	OFF	ON
SWW247-6 X1159	MOM	OFF	MOM
SWW248-6 X1159**	ON	OFF	MOM
SWW242-6 X1159**	ON	-	MOM
SWW244TH-6 X1159*	ON	ON	ON

Shown with rocker U620

X1159 Insulated model protected against E.S.D. up to 12 KV - Straight PC terminals - bracket mounting

	III	II	I
Single pole			
SY236-6 X1159	ON	-	ON
SY239-6 X1159	ON	OFF	ON
SY237-6 X1159	MOM	OFF	MOM
SY238-6 X1159	ON	OFF	MOM
SY232-6 X1159	ON	-	MOM
Double pole			
SY246-6 X1159	ON	-	ON
SY249-6 X1159	ON	OFF	ON
SY247-6 X1159	MOM	OFF	MOM
SY248-6 X1159**	ON	OFF	MOM
SY242-6 X1159**	ON	-	MOM
SY244TH-6 X1159*	ON	ON	ON

Shown with rocker U620

* Function 4 : SP in DP case - TH connection, see end of catalogue. ** Functions 2 and 8 : reversed connection available. Consult factory.

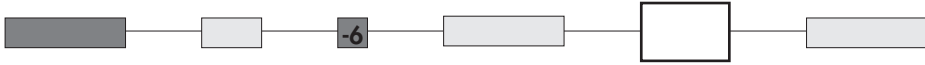
Above models available with all actuators shown on next page.



S series

Washable rocker and paddle switches

AGENCY APPROVAL

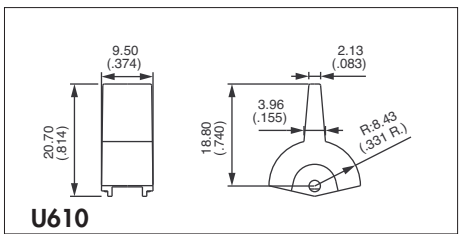
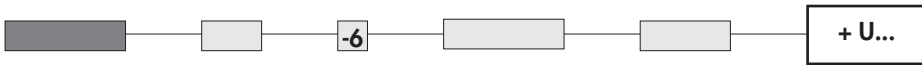


UL

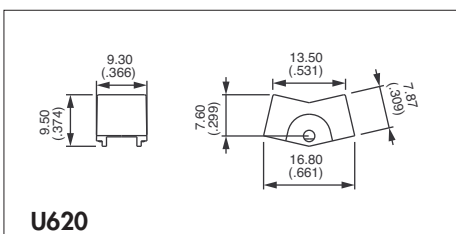
Availability : consult factory for details of approved models.

Marking : to order switches marked with the UL symbol, complete above box with "UL".
Blank : no agency approval required.

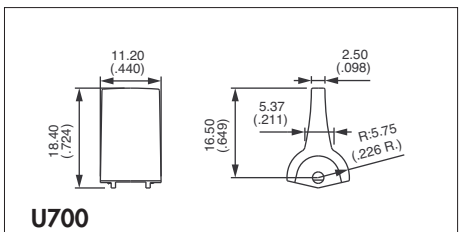
ACTUATORS



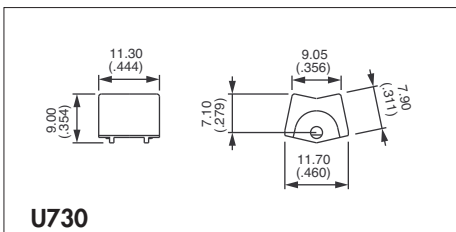
U610
Narrow paddle



U620
Large rocker



U700
Broad paddle



U730
Small rocker

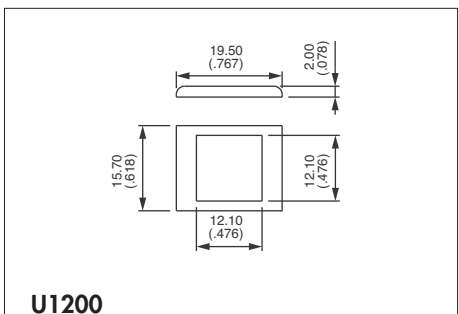
Actuator colours	
Replace last "0" by number	
1	blue
1/4	dark blue
2	black
3	green
4	grey
5	yellow
6	red
7	ivory
7/1	white
9	orange



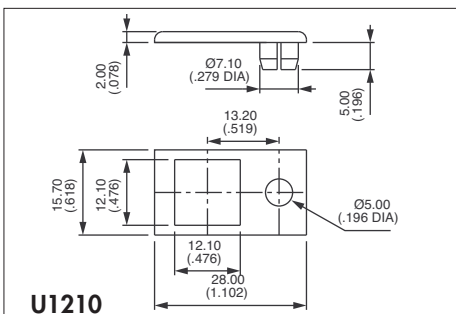
U610 and U620 not available on SK models

Bezels for SK model (snap-in)

Add bezel part number to actuator part number.

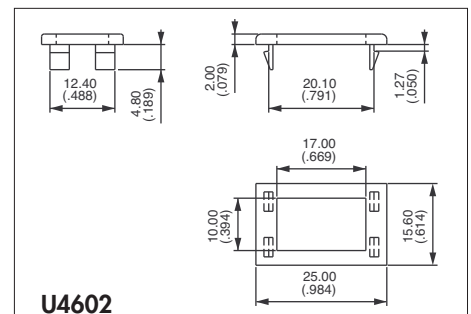


U1200
Bezel



U1210
Bezel for LED Ø 5 (.196) - not supplied

Bezel for SW - SWW and SY models



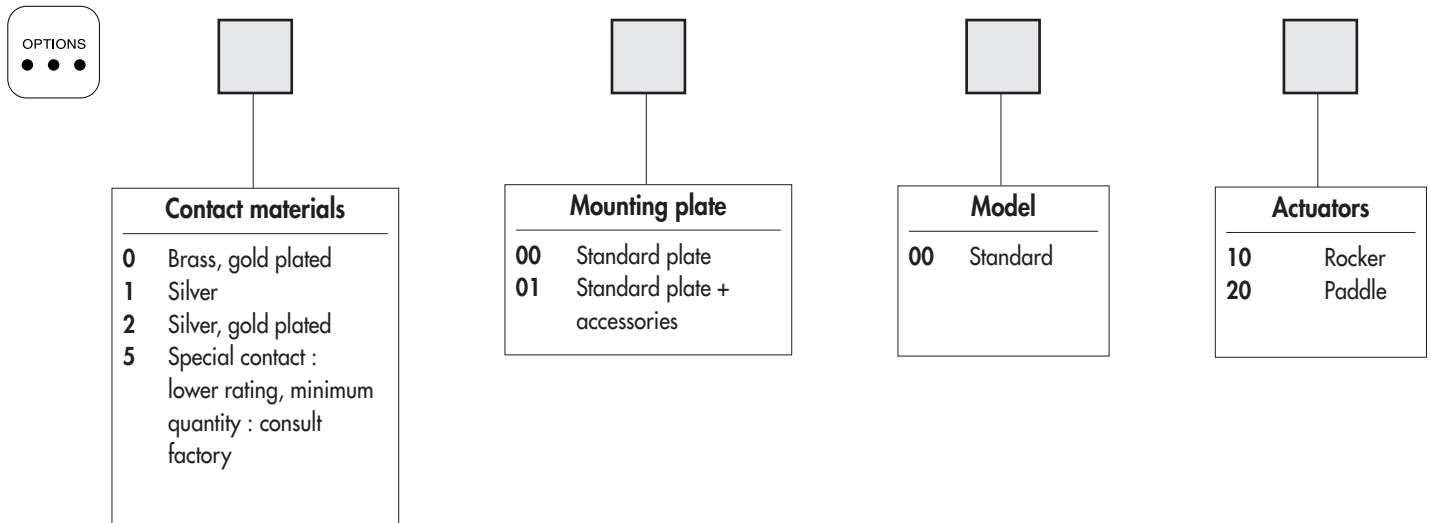
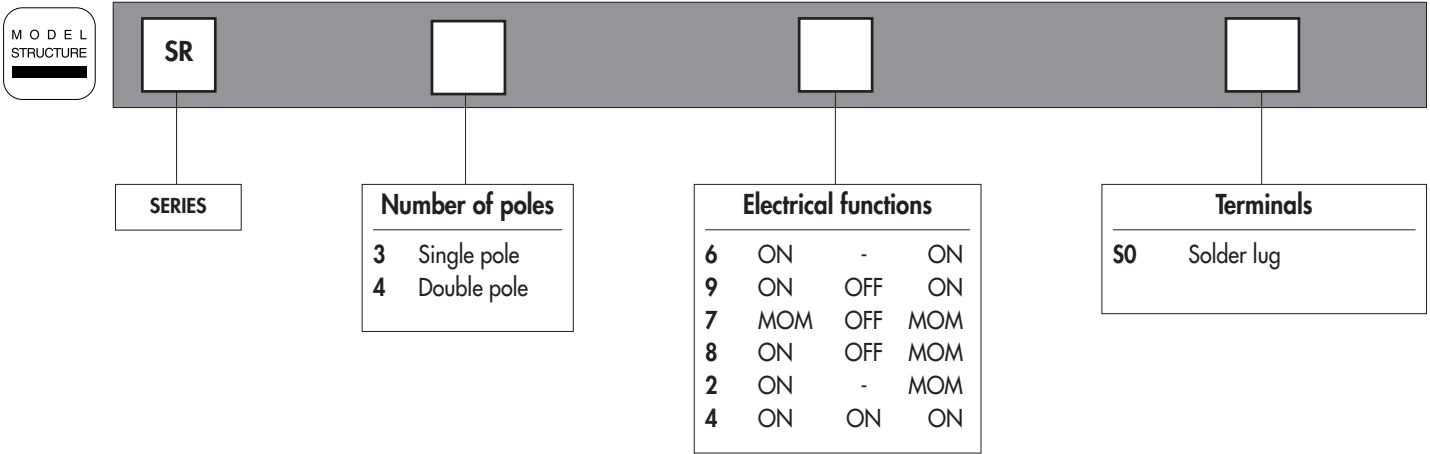
U4602
Black bezel - for rocker U620 only



SR series

Washable rocker and paddle switches

Overview



ABOUT THIS SERIES

On the following pages, you will find successively :

- model structure of switches
- options in the same order as above

Specifications are at the beginning of this section (S and SR series).

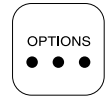
Dimensions : first dimensions are in mm while inches are shown as bracketed numbers.



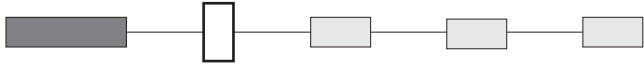
Packaging unit : 20 pieces.

SR series

Washable rocker and paddle switches

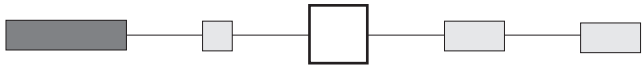


CONTACT MATERIALS

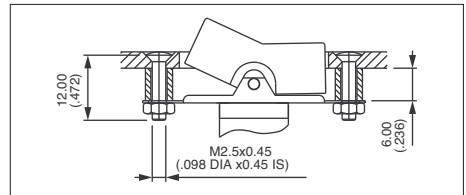


- 0 Brass, gold plated
- 1 Silver
- 2 Silver, gold plated
- 5 Special contact, lower rating, minimum quantity : consult factory.

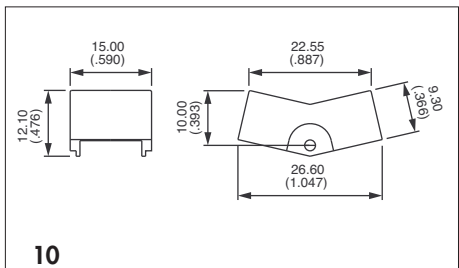
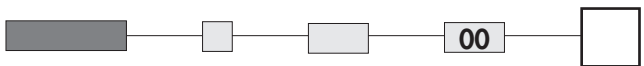
MOUNTING PLATE



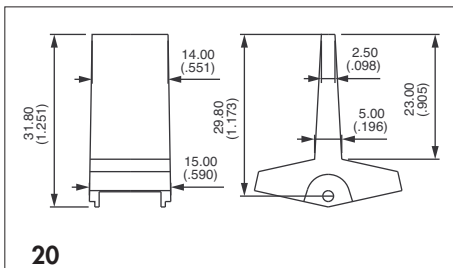
- 00 Standard mounting plate
- 01 Standard mounting plate + mounting accessories (spacers, screws and nuts)



ACTUATORS



10
Rocker



20
Paddle

Actuator colours	
Replace "0" by number	
1	blue
1/4	dark blue
2	black
3	green
4	grey
5	yellow
6	red
7	ivory
7/1	white
9	orange

X-ON Electronics

Largest Supplier of Electrical and Electronic Components

Click to view similar products for [Joysticks](#) category:

Click to view products by [Apem](#) manufacturer:

Other Similar products are found below :

[M11L0A1](#) [C1000C1P](#) [S10L0A1M](#) [G3-A1AM151NNNN](#) [TH500P00D4](#) [C1000C1PMJ0](#) [S10L061J](#) [60C22-M7-4-020S](#) [67A-DF-3C-060C](#)
[60A00-8-050C](#) [60A00-4-050C](#) [60C22-M7-4-040S](#) [G3-0425](#) [S30L081F50](#) [3440SAT6476](#) [60A18-4-090C](#) [S30L081J](#) [M11L001C](#) [M11L0X1P](#)
[USBM31Q081RMJ4S](#) [USBC200051JMJS](#) [TW08BLK12](#) [S30L0M1CSJBLK](#) [HF11R11](#) [HG-44MIS000-2654](#) [HG-44MIS000-U-2655](#)
[4P182F1E55475](#) [TS4A1S00A](#) [BD140D01GR0000](#) [BD150SD4BL1200](#) [3140SAL6475](#) [TW01BLK11](#) [TW01GRY1](#) [ZD4PA203](#)
[HF44S10UMJ0](#) [TS3N2S00A](#) [TS1R1U00A](#) [TS1R1S09A](#) [TS1D2S00A](#) [HFX45S02](#) [HFX10S00](#) [HF11P11](#) [4R28-2S1E-55-00](#)
[BD150A01RE0000](#) [BD150D02BK1200](#) [ZD4PA24](#) [ZD4PA22](#) [ZD4PA12](#) [ZD4PA14](#) [J1-00105-S-G](#)