
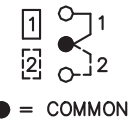
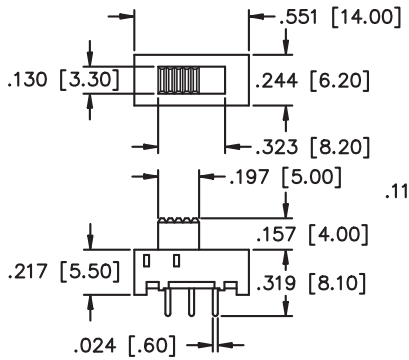
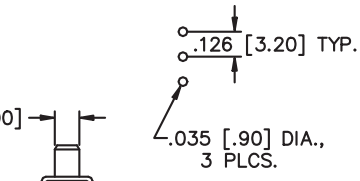

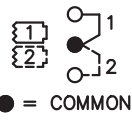
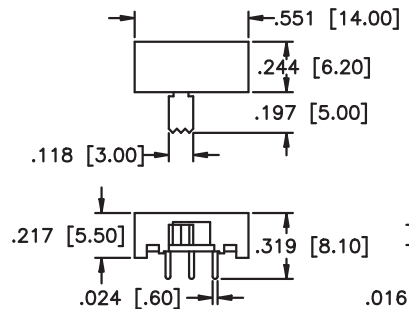
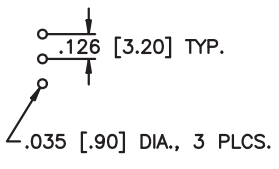
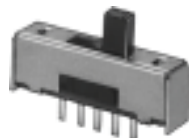
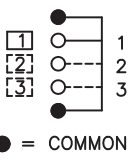
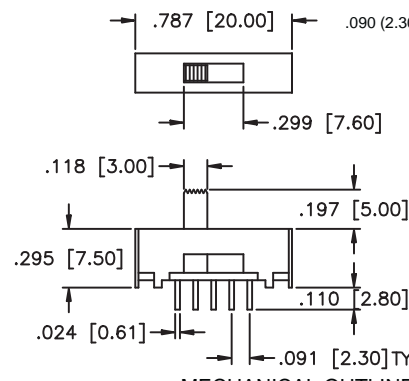
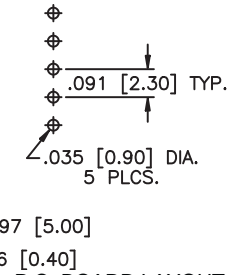


# SLB Series

(with p.c. board stand-off bracket)

## Miniature Slide Switches

SPECIFICATIONS	FEATURES
<p><b>Contact ratings:</b> 300 mA at 125 VAC or 30 VDC</p> <p><b>Initial contact resistance:</b> 20 milliohms max.</p> <p><b>Insulation resistance:</b> 100 megohms min. at 500 VDC</p> <p><b>Dielectric strength:</b> 500 volts RMS for 1 minute</p> <p><b>Electrical life:</b> 10,000 cycles min.</p> <p><b>Operating temperature range:</b> -20°C to +85°C</p> <p><b>Actuation force:</b> 220g ± 100g</p> <p><b>Solder heat resistance:</b> 260°C max. for 3 seconds</p> <p><b>Solvent washing permissible</b></p>	<ul style="list-style-type: none"> <li>● <b>Miniature compact size.</b></li> <li>● <b>Wash-through open frame construction.</b></li> <li>● <b>Positive spring loaded ball detent mechanism.</b></li> <li>● <b>Epoxy sealed terminals.</b></li> </ul>
MATERIALS	
<p><b>Contacts &amp; terminals:</b> Silver plated</p> <p><b>Frame:</b> Zinc plated steel</p> <p><b>Actuator:</b> Thermoplastic</p> <p><b>Base:</b> Phenolic laminated sheet</p>	<p><b>Terminal seal:</b> Epoxy</p>

MODEL NO.			
<b>SLB12814</b>			
	<p><b>1P2T</b></p>  <p>● = COMMON</p>		
VERTICAL ACTUATOR	SCHEMATIC	MECHANICAL OUTLINE	P.C. BOARD LAYOUT
<b>SLB1281R5</b>			
	<p><b>1P2T</b></p>  <p>● = COMMON</p>		
RIGHT ANGLE ACTUATOR	SCHEMATIC	MECHANICAL OUTLINE	P.C. BOARD LAYOUT
<b>SLB1370</b>			
	<p><b>1P3T</b></p>  <p>● = COMMON</p>		
VERTICAL ACTUATOR	SCHEMATIC	MECHANICAL OUTLINE	P.C. BOARD LAYOUT



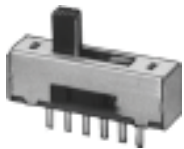
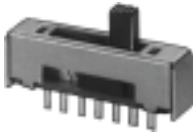
SPECIFICATIONS SUBJECT TO CHANGE WITHOUT NOTICE

# SLB Series

(with p.c. board stand-off bracket)

## Miniature Slide Switches

SPECIFICATIONS SUBJECT TO CHANGE WITHOUT NOTICE


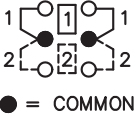
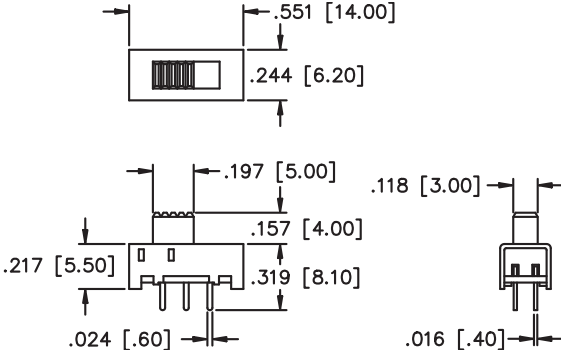
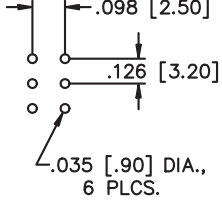

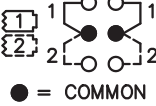
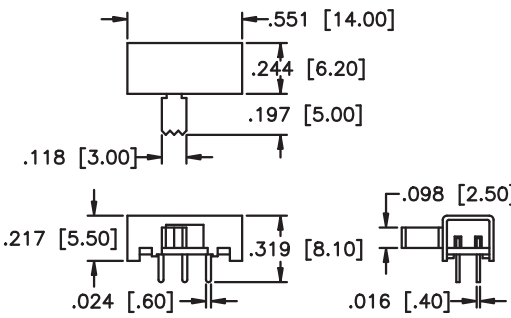
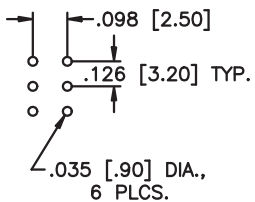

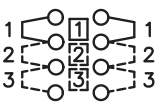
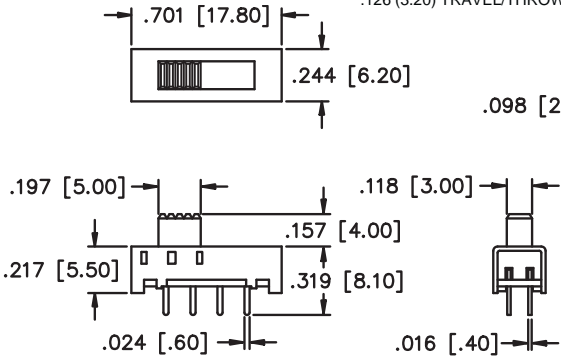
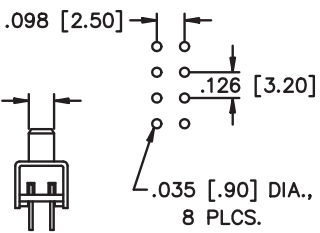

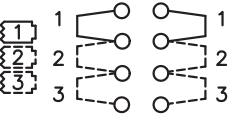
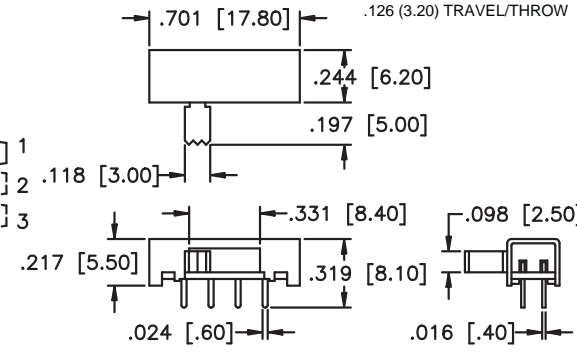
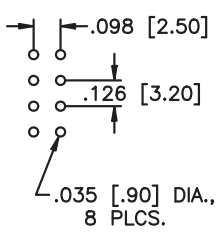
<p><b>MODEL NO.</b> <b>SLB13814</b></p>	<p><b>1P3T</b></p>  <p>VERTICAL ACTUATOR</p> <p><b>Schematic:</b> 1P3T configuration with terminals 1, 2, 3.</p> <p><b>Mechanical Outline:</b> Dimensions include .701 [17.80] total width, .126 [3.20] travel/throw, .130 [3.30] and .244 [6.20] top widths, .449 [11.40] body length, .197 [5.00] and .118 [3.00] actuator heights, .217 [5.50] and .319 [8.10] base heights, .024 [.60] and .016 [.40] pin spacings.</p> <p><b>P.C. Board Layout:</b> .126 [3.20] TYP. spacing, .035 [.90] DIA., 4 PLCS.</p>
<p><b>MODEL NO.</b> <b>SLB1381R5</b></p>	<p><b>1P3T</b></p>  <p>RIGHT ANGLE ACTUATOR</p> <p><b>Schematic:</b> 1P3T configuration with terminals 1, 2, 3.</p> <p><b>Mechanical Outline:</b> Dimensions include .701 [17.80] total width, .126 [3.20] travel/throw, .118 [3.00] and .197 [5.00] actuator heights, .217 [5.50] and .319 [8.10] base heights, .024 [.60] and .016 [.40] pin spacings, .331 [8.40] body length, .098 [2.50] actuator offset.</p> <p><b>P.C. Board Layout:</b> .126 [3.20] TYP. spacing, .035 [.90] DIA., 4 PLCS.</p>
<p><b>MODEL NO.</b> <b>SLB1470</b></p>	<p><b>1P4T</b></p>  <p>VERTICAL ACTUATOR</p> <p><b>Schematic:</b> 1P4T configuration with terminals 1, 2, 3, 4. Legend: ● = COMMON.</p> <p><b>Mechanical Outline:</b> Dimensions include .787 [20.00] total width, .090 [2.30] travel/throw, .118 [3.00] and .197 [5.00] actuator heights, .295 [7.50] and .110 [2.80] base heights, .024 [0.61] and .016 [0.40] pin spacings, .390 [9.90] body length, .091 [2.30] TYP. offset.</p> <p><b>P.C. Board Layout:</b> .091 [2.30] TYP. spacing, .035 [0.90] DIA., 6 PLCS.</p>
<p><b>MODEL NO.</b> <b>SLB1570</b></p>	<p><b>1P5T</b></p>  <p>VERTICAL ACTUATOR</p> <p><b>Schematic:</b> 1P5T configuration with terminals 1, 2, 3, 4, 5. Legend: ● = COMMON.</p> <p><b>Mechanical Outline:</b> Dimensions include .866 [22.00] total width, .090 [2.30] travel/throw, .118 [3.00] and .197 [5.00] actuator heights, .295 [7.50] and .110 [2.80] base heights, .024 [0.61] and .016 [0.40] pin spacings, .480 [12.20] body length, .091 [2.30] TYP. offset.</p> <p><b>P.C. Board Layout:</b> .091 [2.30] TYP. spacing, .035 [0.90] DIA., 7 PLCS.</p>

# SLB Series

(with p.c. board stand-off bracket)

## Miniature Slide Switches

SPECIFICATIONS SUBJECT TO CHANGE WITHOUT NOTICE

<b>MODEL NO.</b> <b>SLB22814</b>	<p style="text-align: center;"><b>2P2T</b></p>  <p style="text-align: center;">VERTICAL ACTUATOR</p>	<p style="text-align: right;">.126 (3.20) TRAVEL/THROW</p>  <p>● = COMMON</p>  <p style="text-align: center;">MECHANICAL OUTLINE</p>  <p style="text-align: center;">P.C. BOARD LAYOUT</p>
<b>MODEL NO.</b> <b>SLB2281R5</b>	<p style="text-align: center;"><b>2P2T</b></p>  <p style="text-align: center;">RIGHT ANGLE ACTUATOR</p>	<p style="text-align: right;">.126 (3.20) TRAVEL/THROW</p>  <p>● = COMMON</p>  <p style="text-align: center;">MECHANICAL OUTLINE</p>  <p style="text-align: center;">P.C. BOARD LAYOUT</p>
<b>MODEL NO.</b> <b>SLB23814</b>	<p style="text-align: center;"><b>2P3T</b></p>  <p style="text-align: center;">VERTICAL ACTUATOR</p>	<p style="text-align: right;">.126 (3.20) TRAVEL/THROW</p>   <p style="text-align: center;">MECHANICAL OUTLINE</p>  <p style="text-align: center;">P.C. BOARD LAYOUT</p>
<b>MODEL NO.</b> <b>SLB2381R5</b>	<p style="text-align: center;"><b>2P3T</b></p>  <p style="text-align: center;">RIGHT ANGLE ACTUATOR</p>	<p style="text-align: right;">.126 (3.20) TRAVEL/THROW</p>   <p style="text-align: center;">MECHANICAL OUTLINE</p>  <p style="text-align: center;">P.C. BOARD LAYOUT</p>


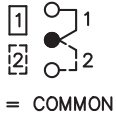
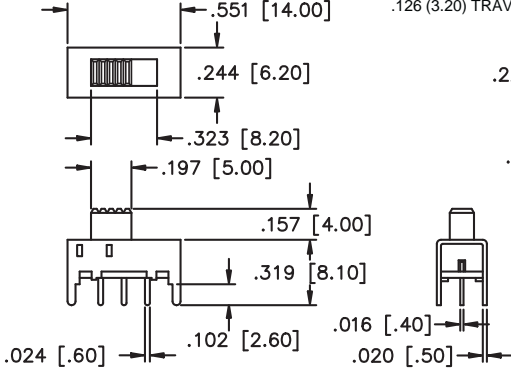
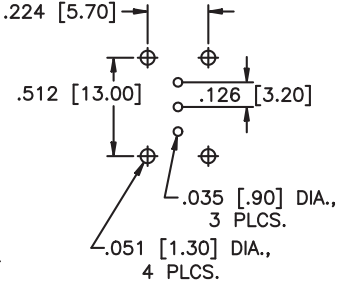
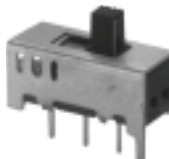

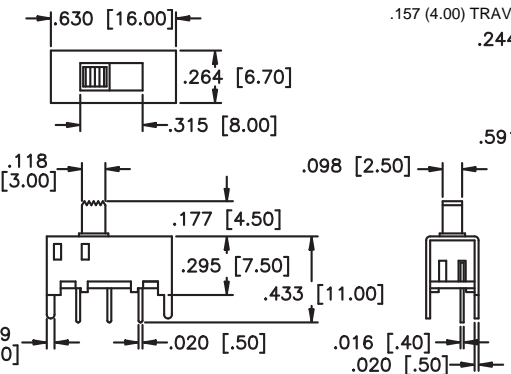
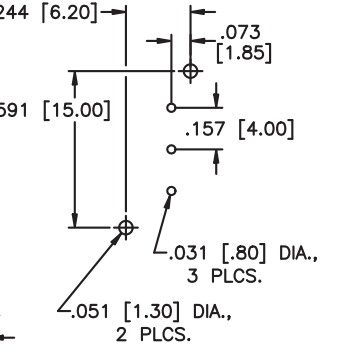

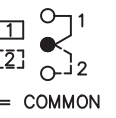
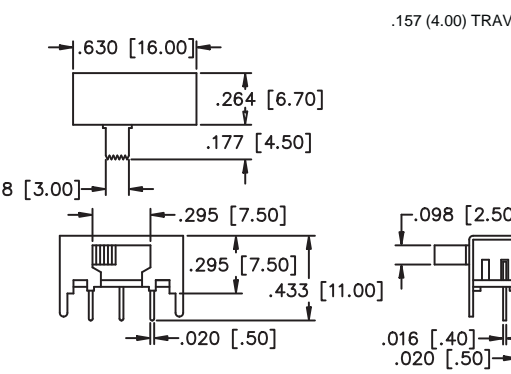
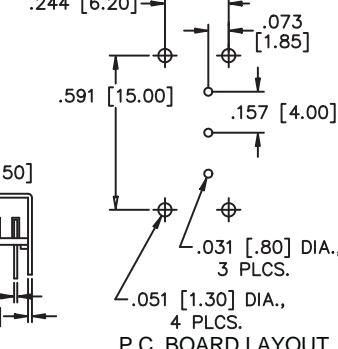
# SLB Series

(with thru- p.c. board hole mounting bracket)

## Miniature Slide Switches

SPECIFICATIONS SUBJECT TO CHANGE WITHOUT NOTICE


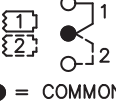
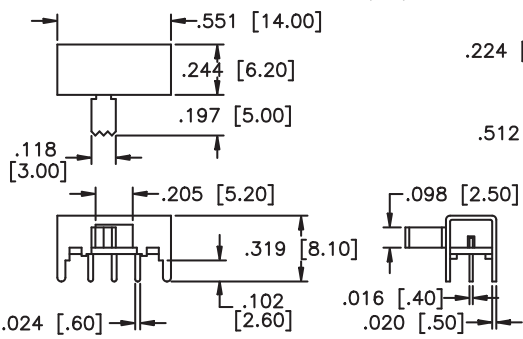
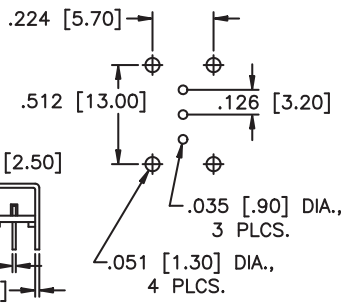

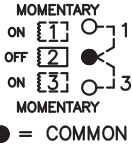
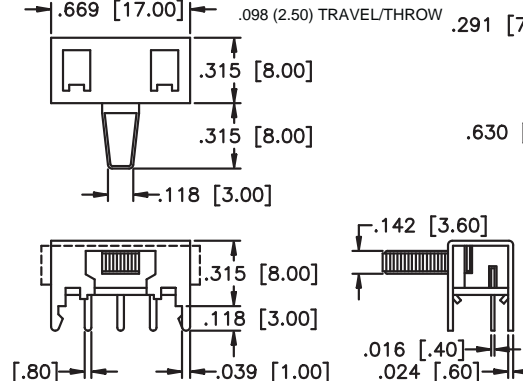
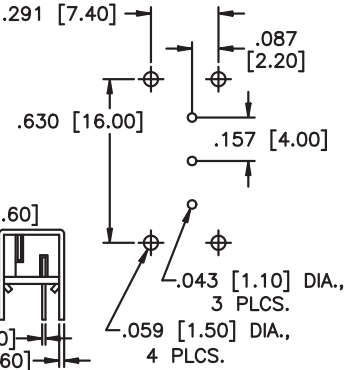
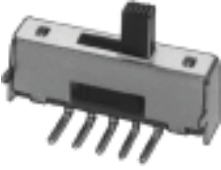
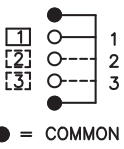
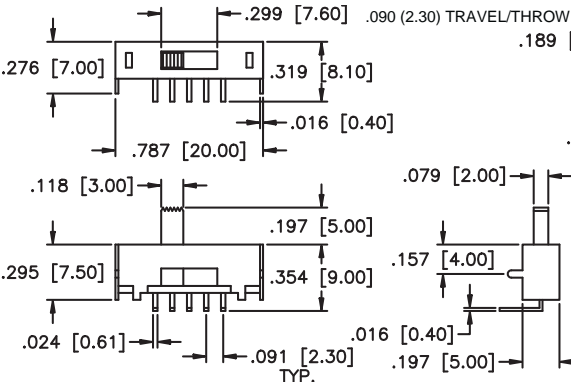
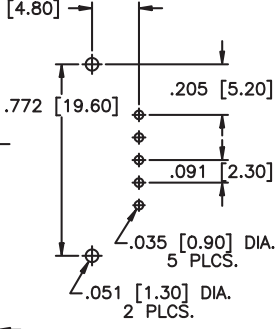

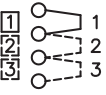
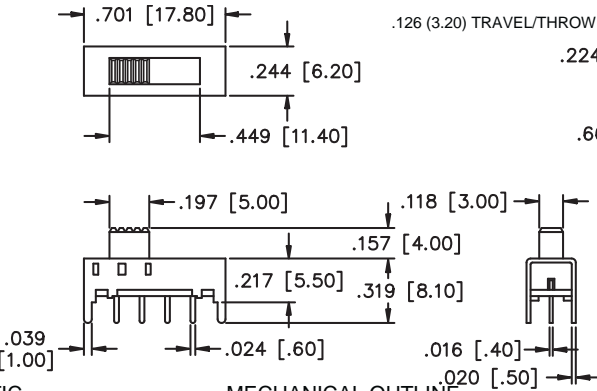
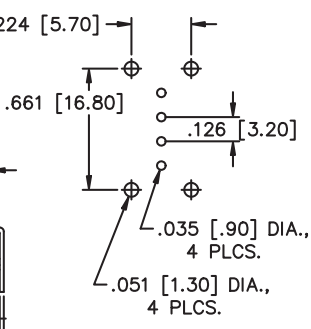
SPECIFICATIONS	FEATURES
<p><b>Contact ratings:</b> 300 mA at 125 VAC or 30 VDC</p> <p><b>Initial contact resistance:</b> 20 milliohms max.</p> <p><b>Insulation resistance:</b> 100 megohms min. at 500 VDC</p> <p><b>Dielectric strength:</b> 500 volts RMS for 1 minute</p> <p><b>Electrical life:</b> 10,000 cycles min.</p> <p><b>Operating temperature range:</b> -20°C to +85°C</p> <p><b>Actuation force:</b> 220g ± 100g</p> <p><b>Solder heat resistance:</b> 260°C max. for 3 seconds</p> <p><b>Solvent washing permissible</b></p>	<ul style="list-style-type: none"> <li>● <b>Miniature compact size.</b></li> <li>● <b>Wash-through open frame construction.</b></li> <li>● <b>Positive spring loaded ball detent mechanism.</b></li> <li>● <b>Epoxy sealed terminals.</b></li> </ul>
	MATERIALS
	<p><b>Contacts &amp; terminals:</b> Silver plated</p> <p><b>Frame:</b> Zinc plated steel</p> <p><b>Actuator:</b> Thermoplastic</p> <p><b>Base:</b> Phenolic laminated sheet</p> <p style="text-align: right;"><b>Terminal seal:</b> Epoxy</p>

MODEL NO.			
<b>SLB12804</b>			
	<p><b>1P2T</b></p>  <p>● = COMMON</p>	 <p><b>MECHANICAL OUTLINE</b></p>	<p>.126 (3.20) TRAVEL/THROW</p>  <p><b>P.C. BOARD LAYOUT</b></p>
MODEL NO.			
<b>SLB124145</b>			
	<p><b>1P2T</b></p>  <p>● = COMMON</p>	 <p><b>MECHANICAL OUTLINE</b></p>	<p>.157 (4.00) TRAVEL/THROW</p>  <p><b>P.C. BOARD LAYOUT</b></p>
MODEL NO.			
<b>SLB1240R45</b>			
	<p><b>1P2T</b></p>  <p>● = COMMON</p>	 <p><b>MECHANICAL OUTLINE</b></p>	<p>.157 (4.00) TRAVEL/THROW</p>  <p><b>P.C. BOARD LAYOUT</b></p>

# SLB Series

(with thru-p.c. board hole mounting bracket)

## Miniature Slide Switches

<p><b>MODEL NO.</b></p> <p><b>SLB1280R5</b></p>  <p>RIGHT ANGLE ACTUATOR</p>	<p style="text-align: right;">.126 (3.20) TRAVEL/THROW</p> <p><b>1P2T</b></p> <div style="display: flex; justify-content: space-between;"> <div style="width: 30%;">  <p>● = COMMON</p> </div> <div style="width: 35%;">  <p>MECHANICAL OUTLINE</p> </div> <div style="width: 30%;">  <p>P.C. BOARD LAYOUT</p> </div> </div>
<p><b>MODEL NO.</b></p> <p><b>SLB1250R8</b></p>  <p>RIGHT ANGLE ACTUATOR</p>	<p style="text-align: right;">.098 (2.50) TRAVEL/THROW</p> <p><b>1P2T</b></p> <div style="display: flex; justify-content: space-between;"> <div style="width: 30%;">  <p>MOMENTARY ON [1] OFF [2] ON [3] MOMENTARY</p> <p>● = COMMON</p> </div> <div style="width: 35%;">  <p>MECHANICAL OUTLINE</p> </div> <div style="width: 30%;">  <p>P.C. BOARD LAYOUT</p> </div> </div>
<p><b>MODEL NO.</b></p> <p><b>SLB1370R</b></p>  <p>RIGHT ANGLE ACTUATOR</p>	<p style="text-align: right;">.090 (2.30) TRAVEL/THROW</p> <p><b>1P3T</b></p> <div style="display: flex; justify-content: space-between;"> <div style="width: 30%;">  <p>● = COMMON</p> </div> <div style="width: 35%;">  <p>MECHANICAL OUTLINE</p> </div> <div style="width: 30%;">  <p>P.C. BOARD LAYOUT</p> </div> </div>
<p><b>MODEL NO.</b></p> <p><b>SLB13804</b></p>  <p>VERTICAL ACTUATOR</p>	<p style="text-align: right;">.126 (3.20) TRAVEL/THROW</p> <p><b>1P3T</b></p> <div style="display: flex; justify-content: space-between;"> <div style="width: 30%;">  </div> <div style="width: 35%;">  <p>MECHANICAL OUTLINE</p> </div> <div style="width: 30%;">  <p>P.C. BOARD LAYOUT</p> </div> </div>




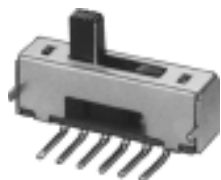
SPECIFICATIONS SUBJECT TO CHANGE WITHOUT NOTICE

# SLB Series

(with thru-p.c. board hole mounting bracket)

## Miniature Slide Switches

SPECIFICATIONS SUBJECT TO CHANGE WITHOUT NOTICE

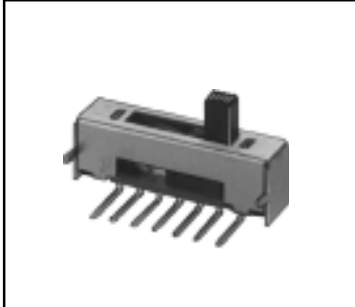
<b>MODEL NO.</b> <b>SLB134145</b>	<p><b>1P3T</b></p>  <p>VERTICAL ACTUATOR</p> <p><b>Schematic:</b> 1P3T circuit diagram with terminals 1, 2, 3. Terminal 2 is marked as COMMON.</p> <p><b>Mechanical Outline:</b> Dimensions include .630 [16.00] total width, .079 (2.00) TRAVEL/THROW, .244 [6.20] actuator height, .118 [3.00] terminal spacing, .177 [4.50] body height, .295 [7.50] base height, .433 [11.00] base width, .098 [2.50] terminal height, .020 [0.50] lead length, .016 [.40] lead diameter.</p> <p><b>P.C. BOARD LAYOUT:</b> Dimensions include .244 [6.20] mounting hole spacing, .073 [1.85] hole diameter, .157 [4.00] hole offset, .079 [2.00] TYP. hole diameter, .031 [.80] DIA., 4 PLCS. hole diameter, .051 [1.30] DIA., 2 PLCS. hole diameter.</p>
<b>MODEL NO.</b> <b>SLB1340R45</b>	<p><b>1P3T</b></p>  <p>RIGHT ANGLE ACTUATOR</p> <p><b>Schematic:</b> 1P3T circuit diagram with terminals 1, 2, 3. Terminal 2 is marked as COMMON.</p> <p><b>Mechanical Outline:</b> Dimensions include .630 [16.00] total width, .079 (2.00) TRAVEL/THROW, .244 [6.20] actuator height, .118 [3.00] terminal spacing, .177 [4.50] body height, .295 [7.50] base height, .433 [11.00] base width, .098 [2.50] terminal height, .020 [0.50] lead length, .016 [.40] lead diameter, .039 [1.00] terminal offset.</p> <p><b>P.C. BOARD LAYOUT:</b> Dimensions include .244 [6.20] mounting hole spacing, .073 [1.85] hole diameter, .157 [4.00] hole offset, .079 [2.00] TYP. hole diameter, .031 [.80] DIA., 4 PLCS. hole diameter, .051 [1.30] DIA., 4 PLCS. hole diameter.</p>
<b>MODEL NO.</b> <b>SLB1380R5</b>	<p><b>1P3T</b></p>  <p>RIGHT ANGLE ACTUATOR</p> <p><b>Schematic:</b> 1P3T circuit diagram with terminals 1, 2, 3.</p> <p><b>Mechanical Outline:</b> Dimensions include .701 [17.80] total width, .126 (3.20) TRAVEL/THROW, .244 [6.20] actuator height, .197 [5.00] body height, .118 [3.00] terminal spacing, .217 [5.50] base height, .319 [8.10] base width, .039 [1.00] terminal offset, .024 [.60] lead length, .102 [2.60] lead length, .098 [2.50] terminal height, .016 [.40] lead diameter, .020 [.50] lead length.</p> <p><b>P.C. BOARD LAYOUT:</b> Dimensions include .224 [5.70] mounting hole spacing, .661 [16.80] hole diameter, .126 [3.20] hole diameter, .035 [.90] DIA., 4 PLCS. hole diameter, .051 [1.30] DIA., 4 PLCS. hole diameter.</p>
<b>MODEL NO.</b> <b>SLB1470R</b>	<p><b>1P4T</b></p>  <p>RIGHT ANGLE ACTUATOR</p> <p><b>Schematic:</b> 1P4T circuit diagram with terminals 1, 2, 3, 4. Terminal 2 is marked as COMMON.</p> <p><b>Mechanical Outline:</b> Dimensions include .390 [9.90] total width, .090 (2.30) TRAVEL/THROW, .276 [7.00] total length, .319 [8.10] body height, .016 [0.40] lead length, .787 [20.00] base width, .118 [3.00] terminal spacing, .197 [5.00] body height, .295 [7.50] base height, .354 [9.00] base width, .024 [0.61] lead length, .091 [2.30] TYP. lead length, .016 [0.40] lead length, .197 [5.00] lead length, .079 [2.00] terminal height, .157 [4.00] terminal height.</p> <p><b>P.C. BOARD LAYOUT:</b> Dimensions include .189 [4.80] mounting hole spacing, .159 [4.05] hole diameter, .772 [19.60] hole diameter, .091 [2.30] TYP. hole diameter, .035 [.90] DIA., 6 PLCS. hole diameter, .051 [1.30] DIA., 2 PLCS. hole diameter.</p>

# SLB Series

(with thru-p.c. board hole mounting bracket)  
Miniature Slide Switches

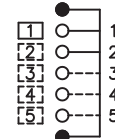
**MODEL NO.**

**SLB1570R**



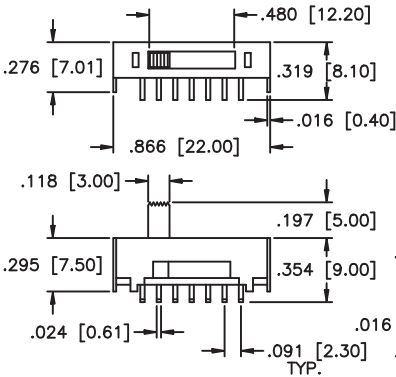
RIGHT ANGLE ACTUATOR

**1P5T**

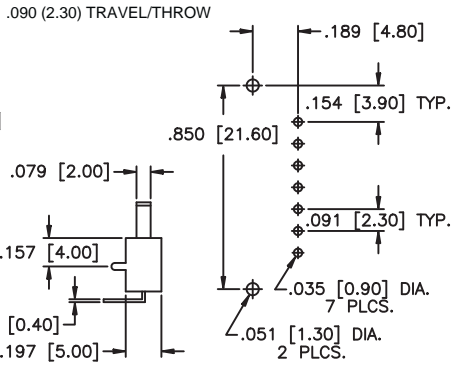


● = COMMON

SCHEMATIC



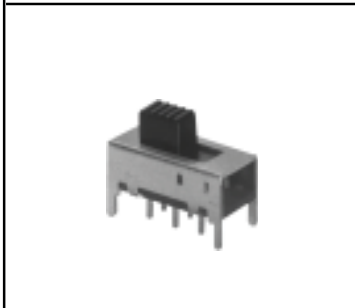
MECHANICAL OUTLINE



P.C. BOARD LAYOUT

**MODEL NO.**

**SLB22804**



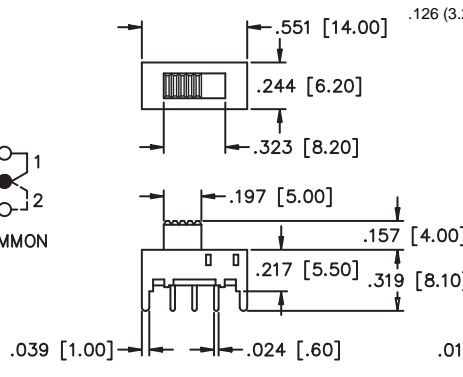
VERTICAL ACTUATOR

**2P2T**

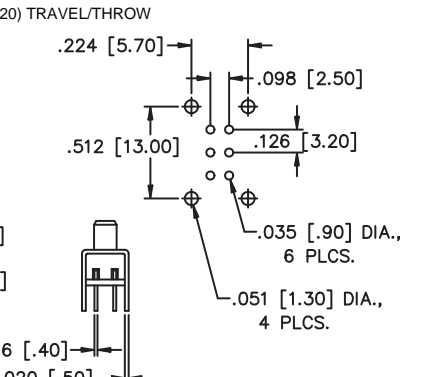


● = COMMON

SCHEMATIC



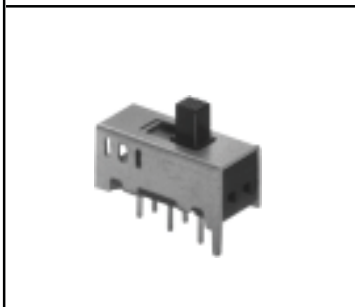
MECHANICAL OUTLINE



P.C. BOARD LAYOUT

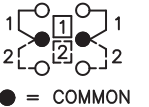
**MODEL NO.**

**SLB224145**



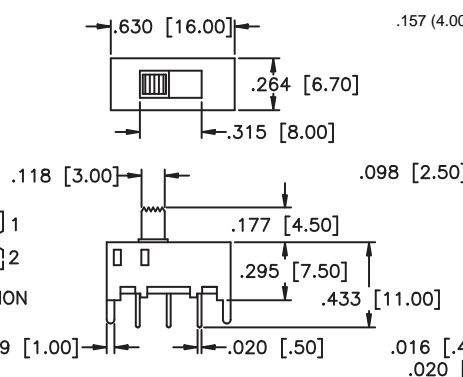
VERTICAL ACTUATOR

**2P2T**

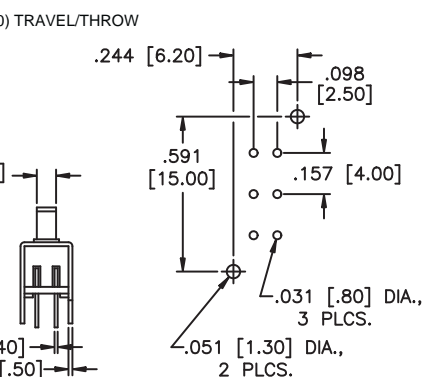


● = COMMON

SCHEMATIC



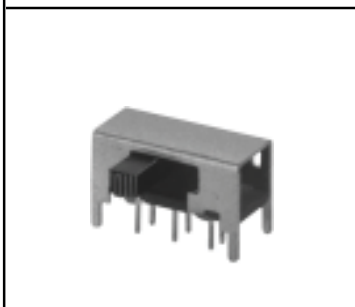
MECHANICAL OUTLINE



P.C. BOARD LAYOUT

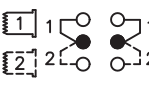
**MODEL NO.**

**SLB2240R45**



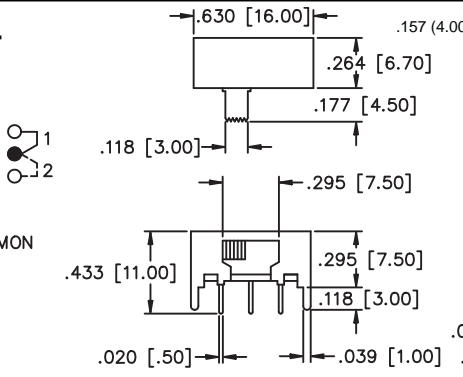
RIGHT ANGLE ACTUATOR

**2P2T**

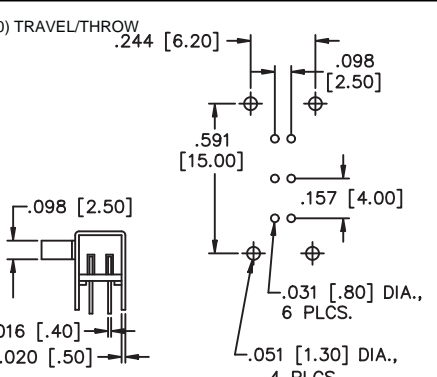


● = COMMON

SCHEMATIC



MECHANICAL OUTLINE



P.C. BOARD LAYOUT

SPECIFICATIONS SUBJECT TO CHANGE WITHOUT NOTICE

# SLB Series

(with thru-p.c. board hole mounting bracket)

## Miniature Slide Switches

SPECIFICATIONS SUBJECT TO CHANGE WITHOUT NOTICE

<b>MODEL NO.</b> <b>SLB2280R5</b>	<p style="text-align: right;">.126 (3.20) TRAVEL/THROW</p> <p><b>2P2T</b></p> <p>RIGHT ANGLE ACTUATOR</p> <p>SCHMATIC      MECHANICAL OUTLINE      P.C. BOARD LAYOUT</p>
<b>MODEL NO.</b> <b>SLB23804</b>	<p style="text-align: right;">.126 (3.20) TRAVEL/THROW</p> <p><b>2P3T</b></p> <p>VERTICAL ACTUATOR</p> <p>SCHMATIC      MECHANICAL OUTLINE      P.C. BOARD LAYOUT</p>
<b>MODEL NO.</b> <b>SLB234145</b>	<p style="text-align: right;">.126 (3.20) TRAVEL/THROW</p> <p><b>2P3T</b></p> <p>VERTICAL ACTUATOR</p> <p>SCHMATIC      MECHANICAL OUTLINE      P.C. BOARD LAYOUT</p>
<b>MODEL NO.</b> <b>SLB2340R45</b>	<p style="text-align: right;">.079 (2.00) TRAVEL/THROW</p> <p><b>2P3T</b></p> <p>RIGHT ANGLE ACTUATOR</p> <p>SCHMATIC      MECHANICAL OUTLINE      P.C. BOARD LAYOUT</p>



## X-ON Electronics

Largest Supplier of Electrical and Electronic Components

*Click to view similar products for [Slide Switches](#) category:*

*Click to view products by [Apem](#) manufacturer:*

Other Similar products are found below :

[6-1437581-1](#) [M43R](#) [MHS123K15D](#) [MHS133K](#) [MHSS1104A](#) [MMD](#) [GH49S010001](#) [MSS12A](#) [EPS1PC1](#) [1825074-1](#) [1825160-3](#) [1825167-2](#)  
[1825289-7](#) [K232CB](#) [25139NLDB](#) [25449NAH](#) [SLB1240R45](#) [1825078-1](#) [1825080-4](#) [1825269-1](#) [1825270-2](#) [STS141RA04](#) [T2215BEN506](#)  
[GH46P000001](#) [GH46W000001](#) [GH49P010001](#) [25339NA](#) [M42A](#) [TG36P000000](#) [TG36P000050](#) [AYZ0202AG](#) [47227LFE](#) [49331L](#) [50208L](#)  
[L203091MS02Q](#) [4-1437581-7](#) [X2225CR-437W](#) [49329L](#) [1101M1S3ZB8E2](#) [1-1437581-1](#) [MSS2225G04](#) [TG39W000000](#) [1825075-1](#)  
[MSS42G](#) [TG36WS80065](#) [T105S1CWZBE](#) [SLB124145](#) [SLB1280R5](#) [SLB1340R45](#) [25136NLDB](#)