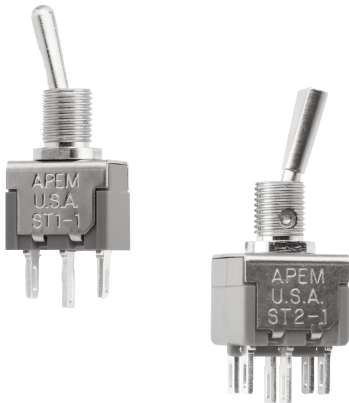


ST series

Miniature toggle switches

Distinctive features and specifications



- Dry circuit through power ratings.
- Ultra-rugged construction SPDT & DPDT models with numerous options.
- PC and panel mount models.

ELECTRICAL SPECIFICATIONS

- Max. current/voltage rating with resistive load :
 - gold over nickel plated brass contacts : 0.4VA - 20V Max.
 - coin silver contacts: 6A 125VAC, 3A 250VAC, 7A 30VDC
- Initial contact resistance: 3 milliohms max. at 3VDC, 0.1 Amp.
- Insulation resistance: 2,000 MΩ min. between terminals & case ground.
- Dielectric strength: 2,000 VAC for 1 minute between terminals & case ground.
- Electrical life: 100,000 cycles at full load for ST1-1 and ST2-1, all other models 40,000 cycles

MATERIALS

- Case : Diallylphthalate (DAP), color blue
- Actuator : Brass, bright nickel or chrome plated.
- Bushing: nickel plated brass
- Strap: stainless steel
- Contacts
 - B: Gold
 - Q: Coin silver
 - G: Gold over silver
- Terminal seal: epoxy

GENERAL SPECIFICATIONS

- Operating temperature : -30°C to +85°C

AGENCY APPROVAL



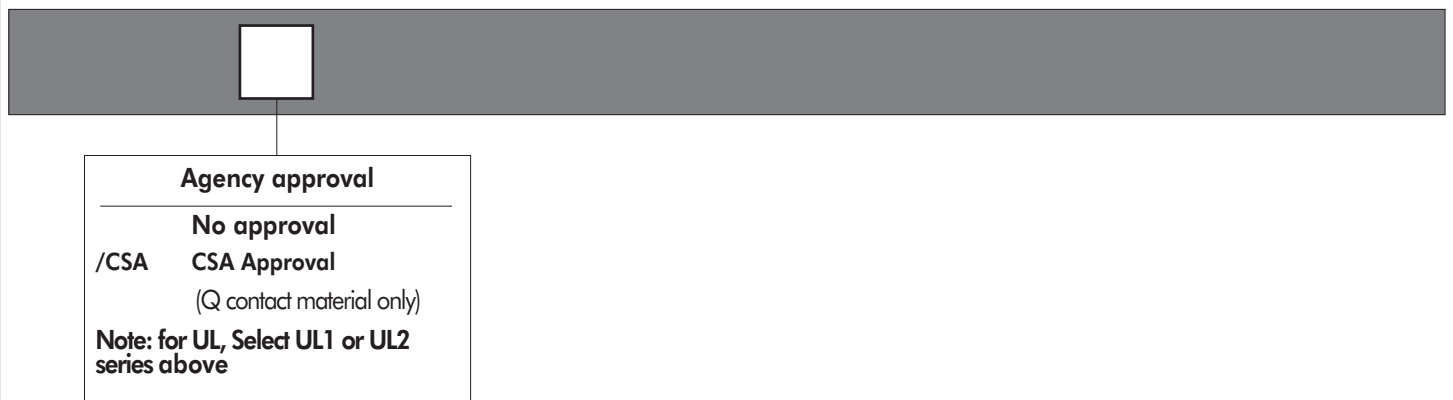
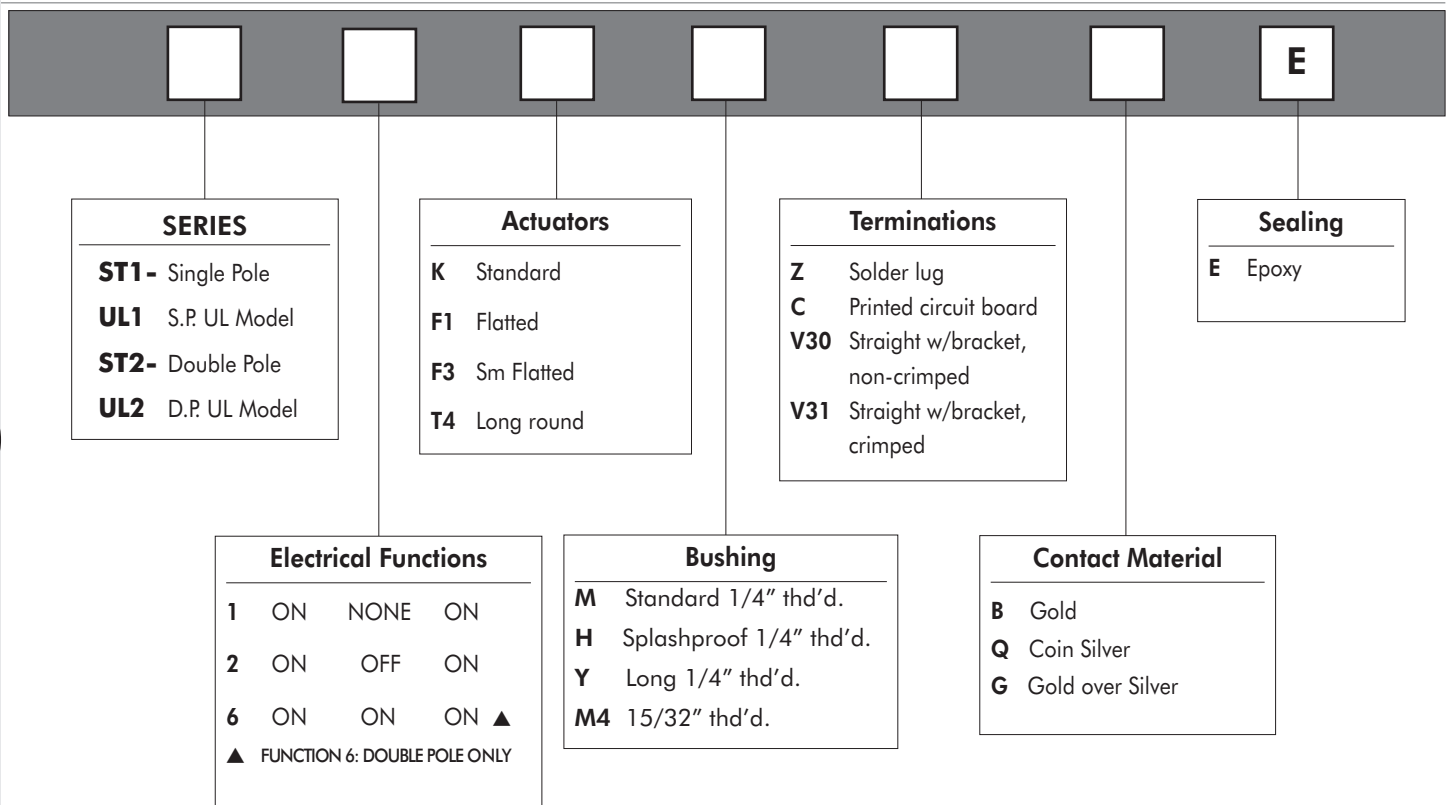
Availability: All models with coin silver contacts (Q) only.

Marking: To order switches marked UL use "UL" prefix for series designation. For CSA marking, complete appropriate box on ordering format.

ST series

Miniature toggle switches

Overview



ABOUT THIS SERIES

On the following pages, you will find successively :

- model structure of switches
- options in the same order as in above chart

Dimensions : first dimensions are in mm while inches are shown as bracketed numbers.



Sealing boots are available to protect the switches against dust and water. They are presented in section H



Mounting accessories : standard hardware supplied with all models with Ø 6,35 (1/4) threaded bushing : 2 - 5/16" hex nuts , 1 locking ring and 1 lockwasher. Standard and special hardware available are presented in section I.



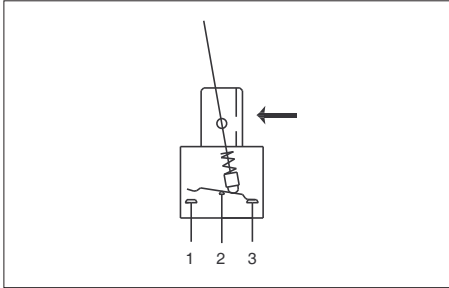
Packaging unit : 25 pieces for double pole
50 pieces for single pole



NOTICE : please note that not all combinations of above numbers are available. Refer to the following pages for further information.

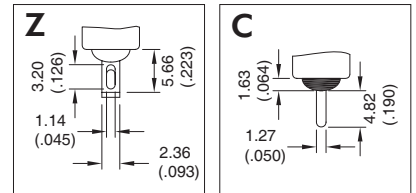
ST series

Miniature toggle switches



Terminations:

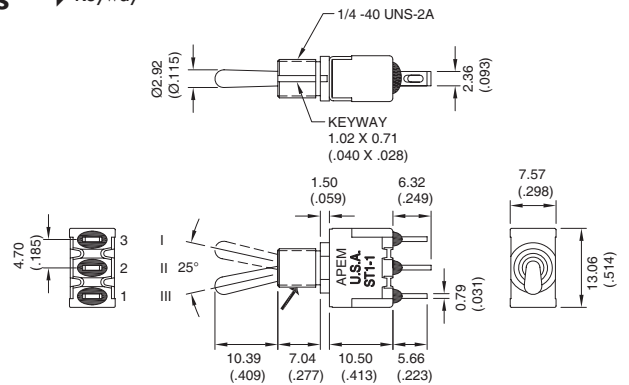
- Solder lug or straight PC terminals
- Epoxy sealed terminals standard



Single pole panel mount with solder lug terminals → Keyway



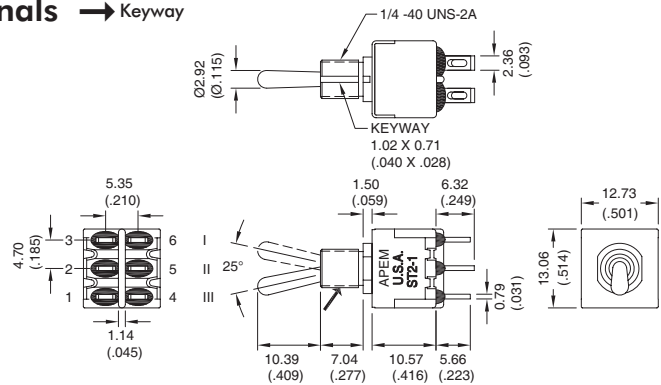
MODEL NO.	UL NO.	I	II	III
ST1-1KMZQE	UL11KMZQE	ON	-	ON
ST1-2KMZQE	UL12KMZQE	ON	OFF	ON



Double pole panel mount with solder lug terminals → Keyway



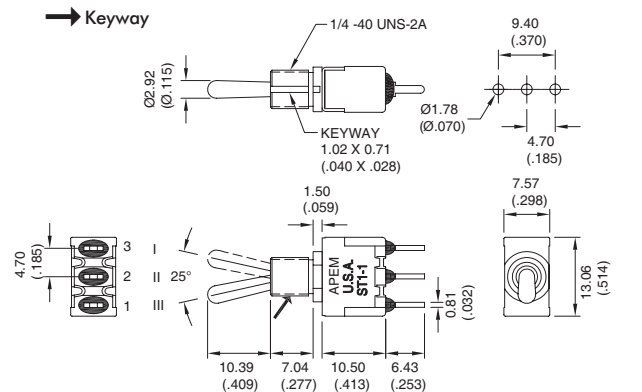
MODEL NO.	UL NO.	I	II	III
ST2-1KMZQE	UL21KMZQE	ON	-	ON
ST2-2KMZQE	UL22KMZQE	ON	OFF	ON
ST2-6KMZQE	UL26KMZQE	ON	ON	ON



Single pole straight PC terminals



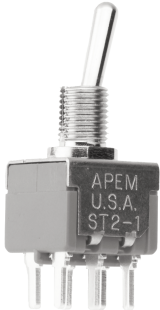
MODEL NO.	UL NO.	I	II	III
ST1-1KMCBE	UL11KMCQE	ON	-	ON
ST1-2KMCBE	UL12KMCQE	ON	OFF	ON



ST series

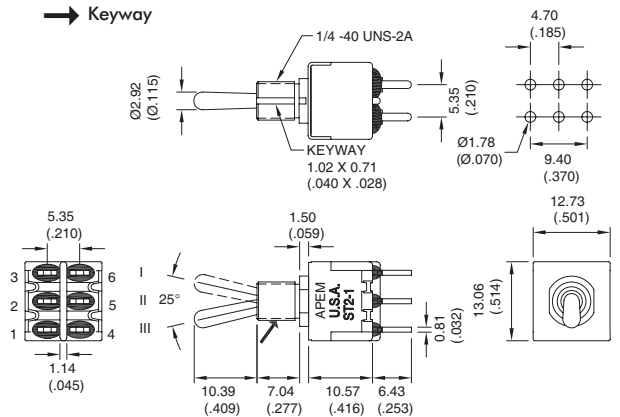
Miniature toggle switches

Double pole straight PC terminals



MODEL NO.	UL NO.	I	II	III
		1-2	1-2	2-3
		4-5	5-6	5-6
ST2-1KMCBE	UL21KMCQE	ON	-	ON
ST2-2KMCBE	UL22KMCQE	ON	OFF	ON
ST2-6KMCBE	UL26KMCQE	ON	ON	ON

→ Keyway

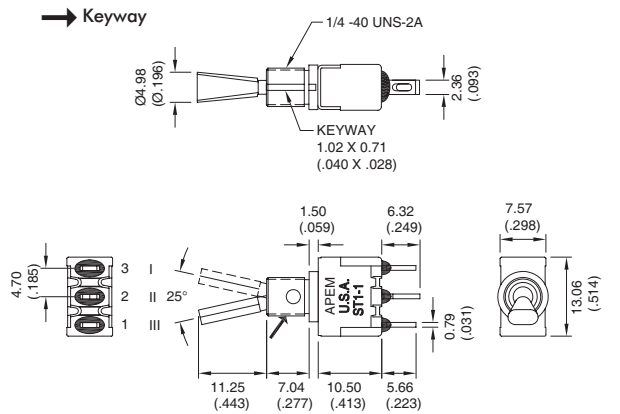


Single pole panel mount flatted actuator

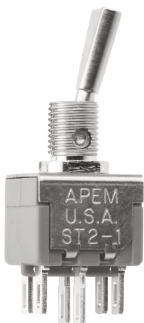


MODEL NO.	UL NO.	I	II	III
		1-2	1-2	2-3
ST1-1F1MZQE	UL11F1MZQE	ON	-	ON
ST1-2F1MZQE	UL12F1MZQE	ON	OFF	ON

→ Keyway

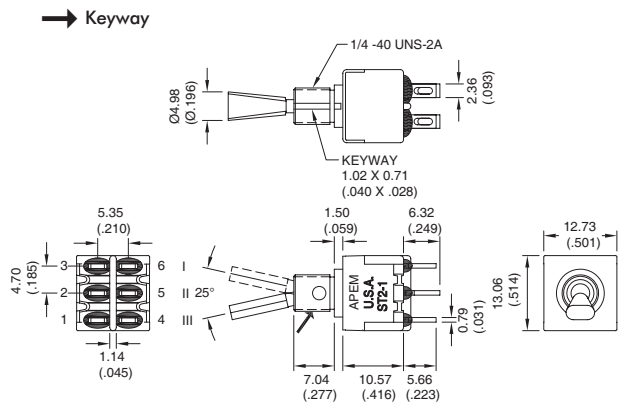


Double pole panel mount flatted actuator



MODEL NO.	UL NO.	I	II	III
		1-2	1-2	2-3
		4-5	5-6	5-6
ST2-1F1MZQE	UL21F1MZQE	ON	-	ON
ST2-2F1MZQE	UL22F1MZQE	ON	OFF	ON
ST2-6F1MZQE	UL26F1MZQE	ON	ON	ON

→ Keyway

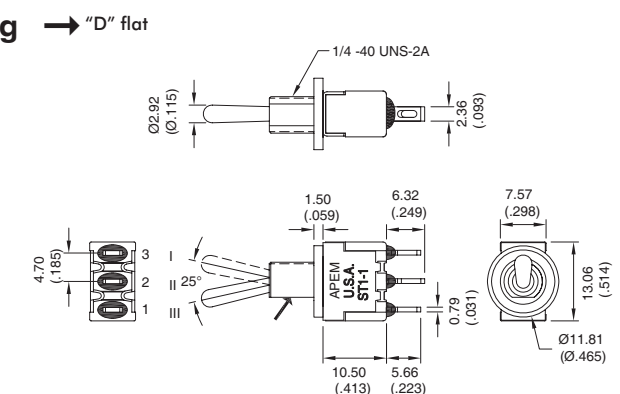


Single pole panel mount with splashproof bushing → "D" flat



MODEL NO.	UL NO.	I	II	III
		1-2		2-3
ST1-1KHZQE	UL11KHZQE	ON	-	ON
ST1-2KHZQE	UL12KHZQE	ON	OFF	ON

→ "D" flat



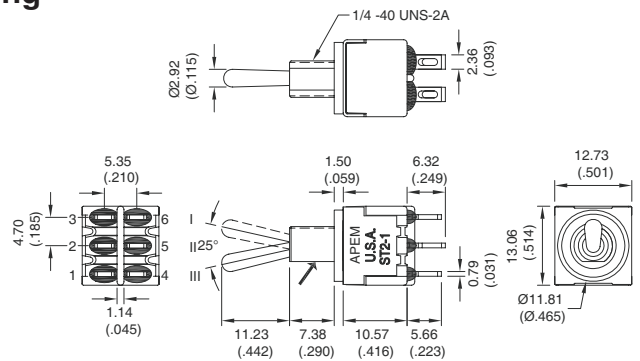
ST series

Miniature toggle switches

Double pole panel mount with splashproof bushing → "D" flat

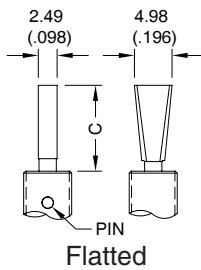


MODEL NO.	UL NO.	I	II	III
ST2-1KHZQE	UL21KHZQE	ON	-	ON
ST2-2KHZQE	UL22KHZQE	ON	OFF	ON
ST2-6KHZQE	UL26KHZQE	ON	ON	ON

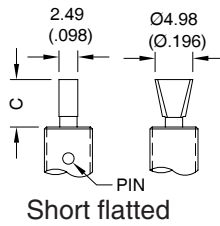


Actuator

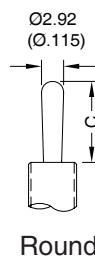
F1



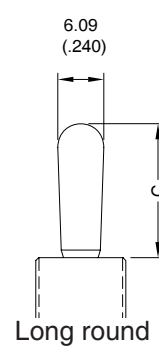
F3



K

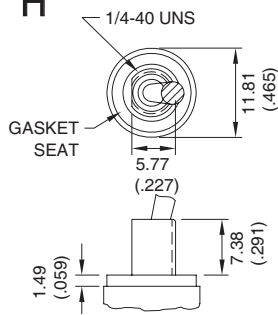


T4

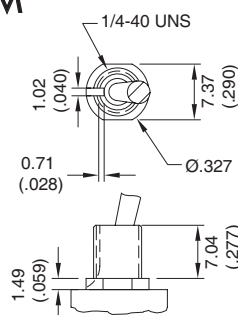


Bushing options

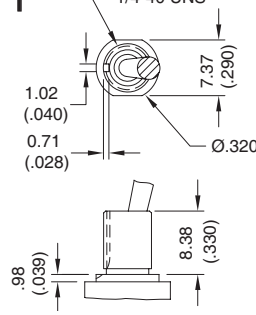
H



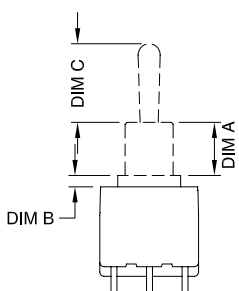
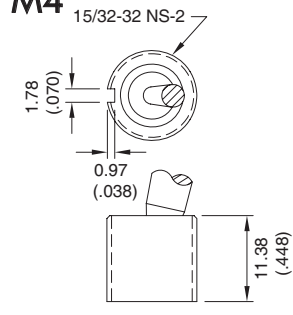
M



Y



M4

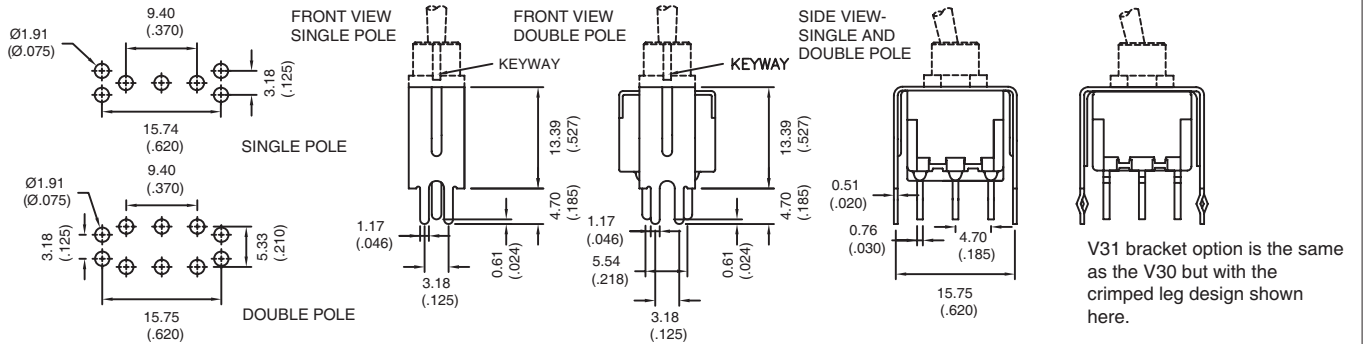


Bushing Option	Bushing Dims.		Actuator length Dim C			
	Dim A	Dim B	F1	F3	K	T4
H	7.37 (.290)	1.52 (.060)	N/A	N/A	10.41 (.410)	N/A
M	7.04 (.277)	1.52 (.060)	11.43 (.450)	6.35 (.250)	10.41 (.410)	N/A
Y	8.38 (.330)	1.02 (.040)	N/A	N/A	10.41 (.410)	N/A
M4	11.38 (.448)	-	N/A	N/A	N/A	17.45 (.687)

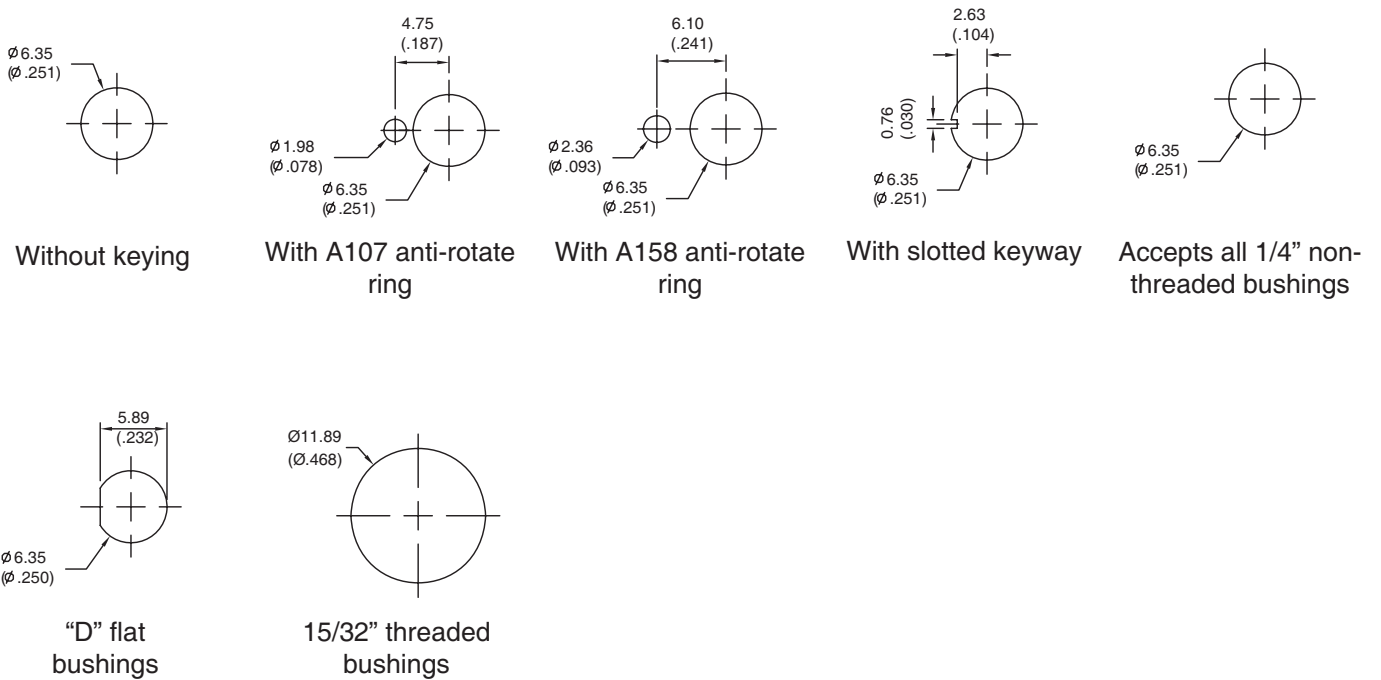
ST series

Miniature toggle switches

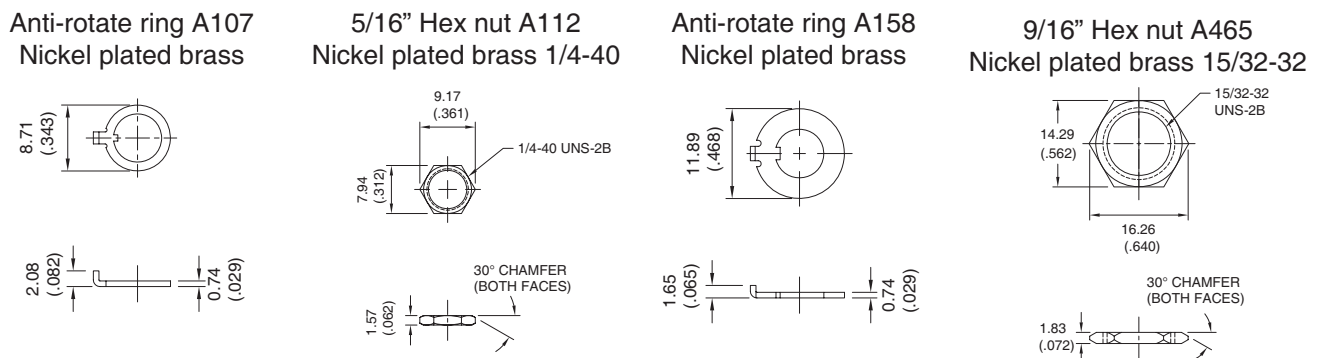
V30 bracket option



Panel cut-outs



Hardware



ST series

Miniature toggle switches

Contact material specs.

- B** Dry circuit - gold over nickel over brass.
RATING: 0.4 Volt-Amps (VA) max. at 20 V max.
ELECTRIC LIFE: 100,000 cycles min. (ST1-1 & ST2-1 only - other models 40,000 cycles min.)
- Q** Power circuit - coin silver.
RATING: 6 Amps at 125 VAC, 3 Amps at 250 VAC or 7 Amps at 30 VDC (resistive loads).
ELECTRIC LIFE: 100,000 cycles min. (ST1-1 & ST2-1 only - other models 40,000 cycles min.)
- G** Dry circuit or power circuit - gold over nickel over coin silver.
RATINGS & ELECTRIC LIFE: Same as B & Q above - i.e. - can be used in either dry circuit or power circuit, however once used in power circuit, switch cannot be re-used in dry circuit. This option satisfies those customers who have both dry circuit and power circuit requirements, but prefer to inventory only one switch for both.

UL & CSA options



- UL** For power circuits - coin silver
RATING: 6 Amps at 125 VAC or 3 Amps at 250 VAC (75% power factor).
Underwriter Laboratories file no. E66367. Note - applicable only to terminations with coin silver contacts (Q option).
- CSA** For power circuits - coin silver
RATING: 6 Amps at 125 VAC or 3 Amps at 250 VAC (75% power factor). Canadian Standards Association file no. LR54592-1. Note - applicable only to terminations with coin silver contacts (Q option) as CSA recognizes switches for power applications only.
Note- Double pole switches with solder lug terminals are not CSA recognized .

X-ON Electronics

Largest Supplier of Electrical and Electronic Components

Click to view similar products for [Toggle Switches](#) category:

Click to view products by [Apem](#) manufacturer:

Other Similar products are found below :

[8928K478](#) [020017-13](#) [60012L](#) [6006L](#) [CS115W](#) [CS120W](#) [637H/25](#) [6663](#) [7101SPDV30BE](#) [7103SDV30BE](#) [7105D](#) [7108P3YAV2BE](#)
[71YY50282](#) [7300K36](#) [7301K38](#) [7306K36](#) [7310K36](#) [7506K4](#) [7592K6](#) [7660K12](#) [7691K14](#) [7700K1](#) [8391K108](#) [8396K108](#) [8824K14](#)
[8828K13](#) [8835K3](#) [8858K44](#) [PS83-121G](#) [1-1825192-0](#) [A201SCWZB04](#) [A207SYCB04](#) [A208J61ZQ0004](#) [A221T1TCQ](#) [A232M1YCQ](#)
[A323S1CWZQ](#) [A423S1CWZG-M8](#) [1201W](#) [12156AX408](#) [12147AGKX679](#) [12246X778](#) [12TW49-3D](#) [130312](#) [13037L](#) [13001X](#)
[AE101MD1W4B04](#) [AE208SD1W4B04](#) [MS24659-22D](#) [MS27407-5](#) [1520230-9](#)