

# TR series

## Tiny washable rocker switches

*Distinctive features and specifications*



- Sealed**
  - Single piece case
  - O-ring seal between actuator and bushing
  - Epoxy sealed terminals
- Wide variety of contact materials**
- Same PCB layout as tiny toggle (TL), pushbutton (TP) and slide switches (TG)**

### ELECTRICAL SPECIFICATIONS

- Max. current/voltage rating with resistive load :
  - gold plated contacts : 0,4VA 20V max. AC or DC
  - silver plated contacts : 0,5A 48V max. AC or DC
- Minimum load : 10mA 50mV - 10 $\mu$ A 5VDC
- Contact resistance : 20 m $\Omega$  max.
- Insulation resistance : 1.000 M $\Omega$  min. at 500VDC
- Dielectric strength :
  - 1.000 Vrms 50 Hz min. between terminals and frame
  - 500 Vrms 50 Hz min. between terminals
- Electrical life at full load :

Contacts	Number of cycles	
	2 positions	3 positions
Gold plated	60.000	30.000
Silver plated	20.000	10.000

### MATERIALS

- Case : PBT
- Actuator : polyamide
- Contacts and terminals :
  - 0** : brass, gold plated
  - 1** : brass, silver plated
  - 3** : brass, gold plated (1,27 micron gold)
  - 8** : contact brass, gold plated + tin plated terminals
  - 9** : contact brass, gold plated (1,27 micron gold) + tin plated terminals
- Terminal seal : epoxy

### GENERAL SPECIFICATIONS

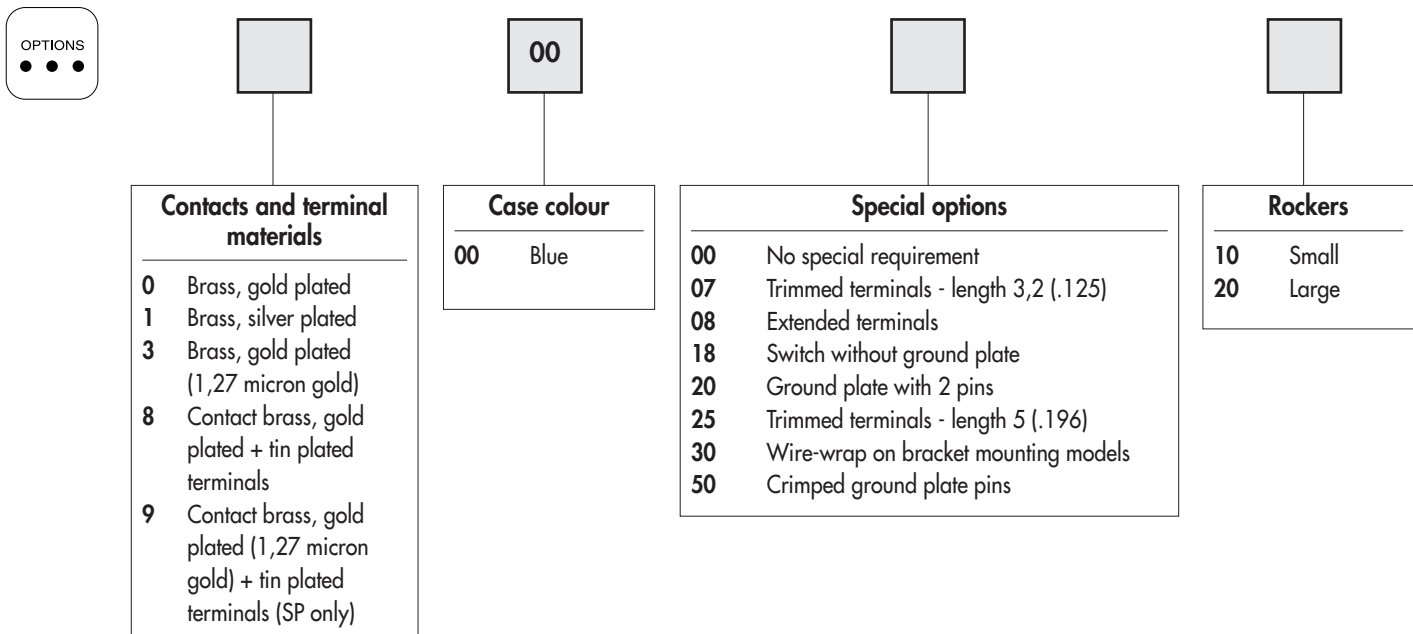
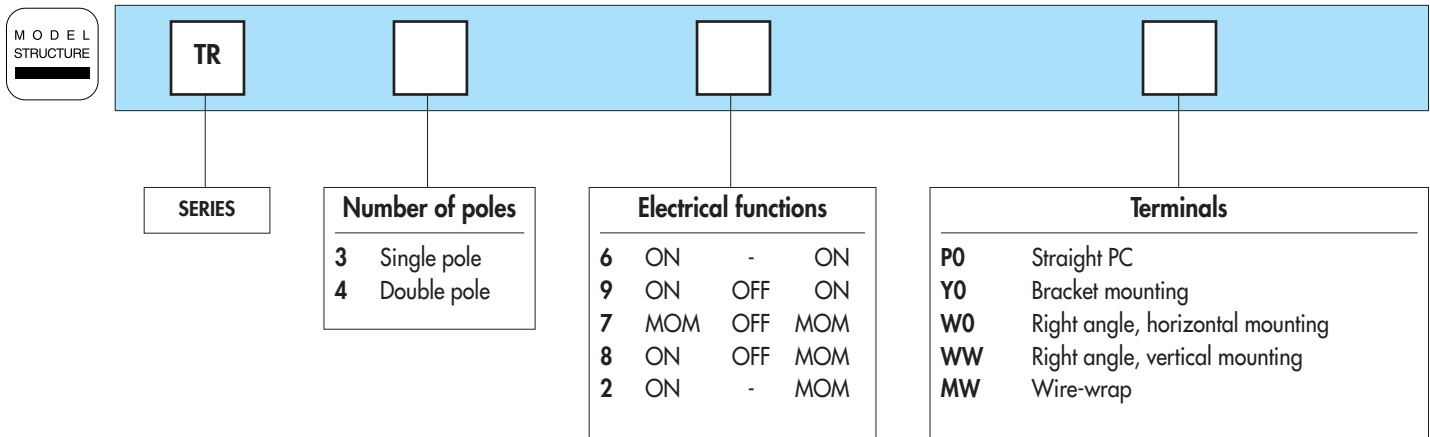
- Strength of terminals : pull-out force - 10N max.
- Operating temperature : -30°C to +85°C
- Moisture : 21 days 95 % (NFC 20-603 - IEC 68-2-3)
- Cleaning : solvents or water + detergent
- Wave soldering : 260°C - 5 sec.

D

# TR series

## Tiny washable rocker switches

Overview



### ABOUT THIS SERIES

On the following pages, you will find successively :

- model structure of switches
- options in the same order as in above chart

**Dimensions** : first dimensions are in mm while inches are shown as bracketed numbers.



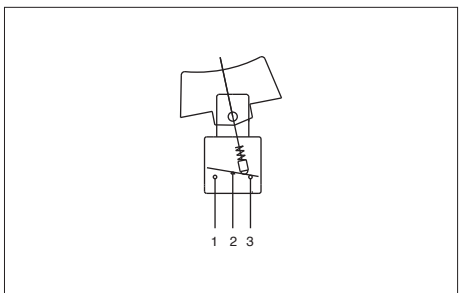
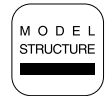
**NOTICE** : please note that not all combinations of above numbers are available. Refer to the following pages for further information.



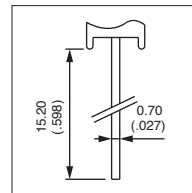
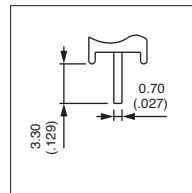
**Packaging unit** : 50 pieces.

# TR series

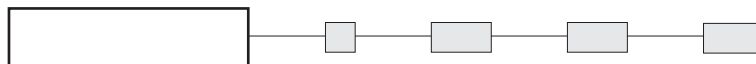
Tiny washable rocker switches



- Straight PC, right angle or wire-wrap terminals
- 1 and 2 pole configurations



MODEL STRUCTURE

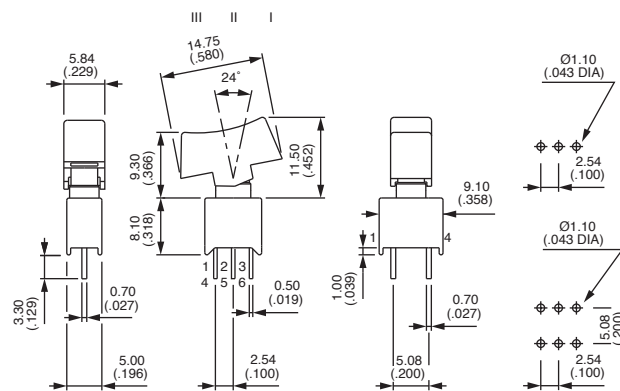


Shown with small rocker (code 10)

## Straight PC terminals : TR..PO



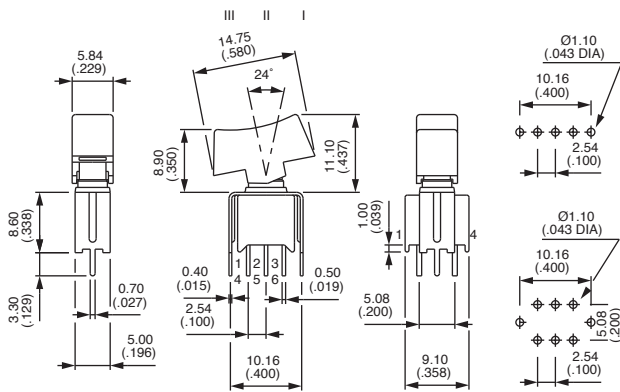
	Single pole	Double pole	III	II	I
TR36PO	TR46PO	ON - ON			
TR39PO	TR49PO	ON OFF ON			
TR37PO	TR47PO	MOM OFF MOM			
TR38PO	TR48PO	ON OFF MOM			
TR32PO	TR42PO	ON - MOM			



## Straight terminals - bracket mounting : TR..YO



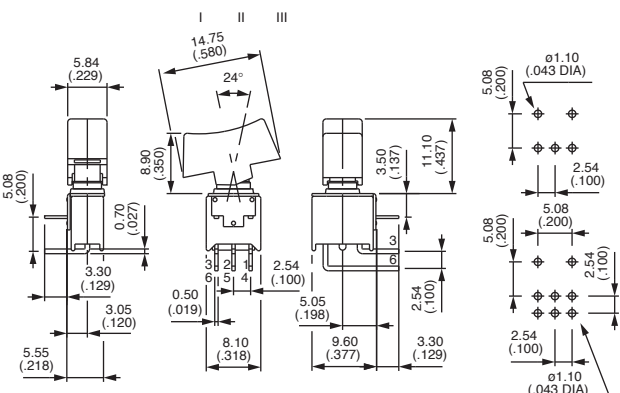
	Single pole	Double pole	III	II	I
TR36YO	TR46YO	ON - ON			
TR39YO	TR49YO	ON OFF ON			
TR37YO	TR47YO	MOM OFF MOM			
TR38YO	TR48YO	ON OFF MOM			
TR32YO	TR42YO	ON - MOM			



## Right angle terminals - horizontal mounting : TR..WO



	Single pole	Double pole	III	II	I
TR36WO	TR46WO	ON - ON			
TR39WO	TR49WO	ON OFF ON			
TR37WO	TR47WO	MOM OFF MOM			
TR38WO	TR48WO	ON OFF MOM			
TR32WO	TR42WO	ON - MOM			





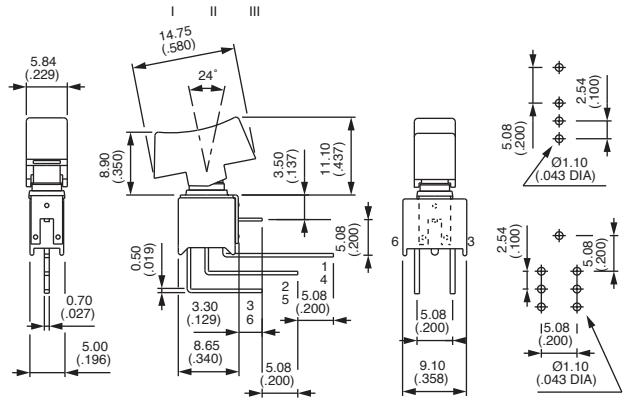
# TR series

## Tiny washable rocker switches

### Right angle terminals - vertical mounting : TR..WW



	Single pole	Double pole	III	II	I
TR36WW	TR46WW	ON - ON			
TR39WW	TR49WW	ON OFF ON			
TR37WW	TR47WW	MOM OFF MOM			
TR38WW*	TR48WW*	ON OFF MOM			
TR32WW*	TR42WW*	ON - MOM			

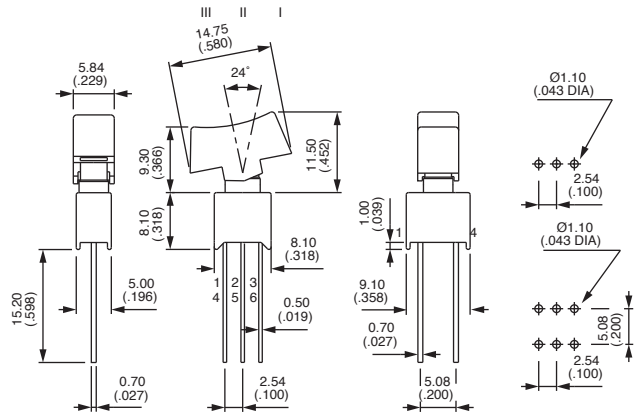


\* Functions 2 and 8 : reversed connection available . Consult factory.

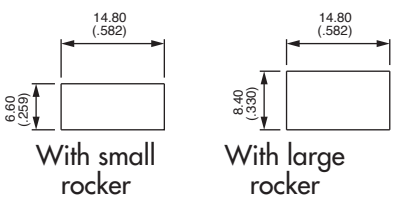
### Wire-wrap terminals : TR..MW



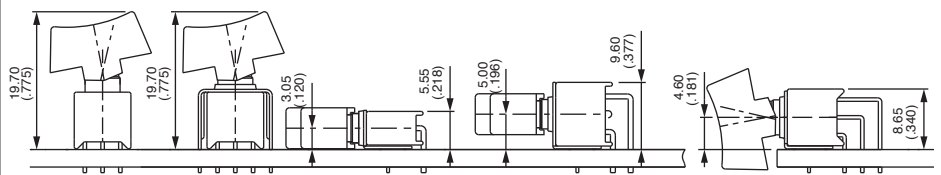
	Single pole	Double pole	III	II	I
TR36MW	TR46MW	ON - ON			
TR39MW	TR49MW	ON OFF ON			
TR37MW	TR47MW	MOM OFF MOM			
TR38MW	TR48MW	ON OFF MOM			
TR32MW	TR42MW	ON - MOM			



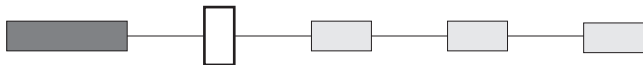
### PANEL CUT-OUT



### PCB MOUNTING

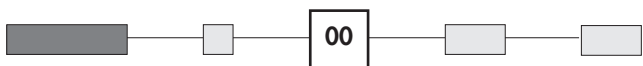


### CONTACT AND TERMINAL MATERIALS



- 0 Brass, gold plated
- 1 Brass, silver plated
- 3 Brass, gold plated (1,27 micron gold)
- 8 Contact brass, gold plated + tin plated terminals
- 9 Contact brass, gold plated (1,27 micron gold) + tin plated terminals (single pole only)

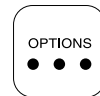
### CASE COLOUR



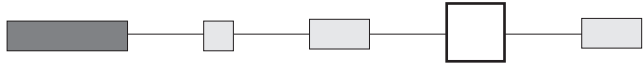
- 00 Blue

# TR series

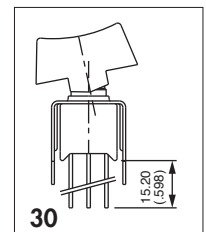
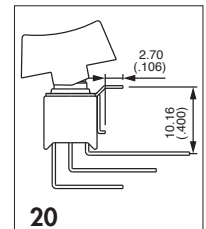
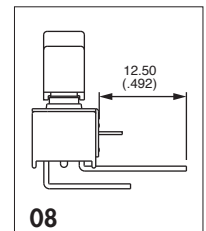
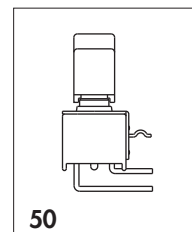
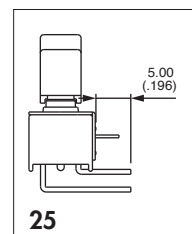
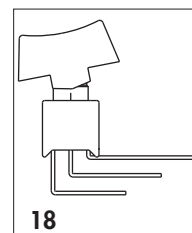
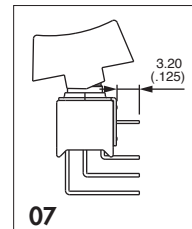
## Tiny washable rocker switches



### SPECIAL OPTIONS

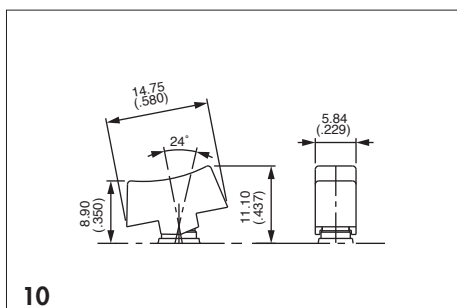
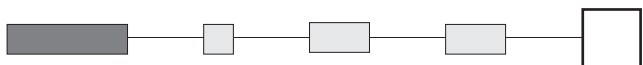


- 00 No special requirement
- 07 **Trimmed terminals** - length 3,2 mm (.125) for TR..WW models only
- 08 **Extended terminals** for TR..WO models only
- 18 Switch **without ground plate** for TR..WW models only
- 20 **Ground plate with 2 pins** for TR..WW models only
- 25 **Trimmed terminals** - length 5 mm (.196) for all models, except TR..WW
- 30 **Wire-wrap terminals** on models with mounting **bracket**
- 50 **Crimping of ground plate pins.**  
Retains switch on PCB during handling and wave soldering.  
For models TR..WO, TR..WW and TR..YO single and double pole.

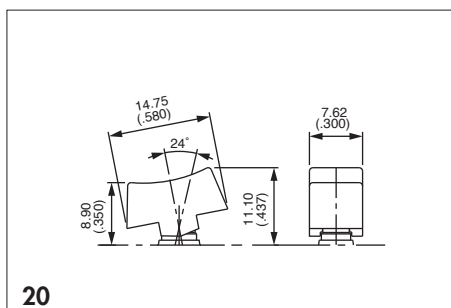


Marking on rocker : consult factory.

### ROCKERS



10  
Small



20  
Large

Rocker colours	
Replace "0" by number	
1	blue
1/4	dark blue
2	black
3	green
4	grey
5	yellow
6	red
7	ivory
7/1	white
9	orange

## X-ON Electronics

Largest Supplier of Electrical and Electronic Components

*Click to view similar products for [Rocker Switches](#) category:*

*Click to view products by [Apem](#) manufacturer:*

Other Similar products are found below :

[LTI LA6E-1S-WH-RC-FN12VXCR1](#) [6-1571986-9](#) [8007K26N324V52](#) [8055K32Z7V](#) [8055K52Z7V](#) [8138K20E6M50](#) [84206L](#) [84312LX](#)  
[PREDD5-07F-BB0GW](#) [999-16716-002](#) [999-16716-003](#) [999-16716-004](#) [A101J1V3Q004](#) [A101J2ZQ004](#) [A101J4ZQ004](#) [A101J51CB0004](#)  
[A103J1ZQ004](#) [A201J1AQ004](#) [A201J3ZB004](#) [A201J50ZQ004](#) [A203J51ZQ0004](#) [A435S1YZQ](#) [H8500XBBBBBL-A](#) [H8653VBBG2577W](#)  
[HB130CHNWWNAAC](#) [R13112ABB-602W](#) [1251.0303](#) [AE205J60V3B004](#) [1352.0107](#) [1500G51E](#) [1571099-3](#) [1571987-4](#) [1571987-5](#)  
[1571989-7](#) [1571988-5](#) [B123J77V7B2](#) [B226J50W4Q22P](#) [B433J37ZQ22M](#) [160212E](#) [1634200-7](#) [1801.1164](#) [1839.1502](#) [PANEL-PLUG-VHP-](#)  
[BLACK](#) [PANEL-PLUG-VHP-WT](#) [K1ABBSCADN](#) [K2ABAAAAAA](#) [KG312A2DXD246X](#) [250011E714](#) [2600HM11E](#) [2600R21E](#)