

TR series

Tiny washable rocker switches

Distinctive features and specifications



Sealed

- Single piece case
- O-ring seal between actuator and bushing
- Epoxy sealed terminals

Wide variety of contact materials

Same PCB layout as tiny toggle (TL), pushbutton (TP) and slide switches (TG)

ELECTRICAL SPECIFICATIONS

- Max. current/voltage rating with resistive load :
 - gold plated contacts : 0,4VA 20V max. AC or DC
 - silver plated contacts : 0,5A 48V max. AC or DC
- Minimum load : 10mA 50mV - 10 μ A 5VDC
- Contact resistance : 20 m Ω max.
- Insulation resistance : 1.000 M Ω min. at 500VDC
- Dielectric strength :
 - 1.000 Vrms 50 Hz min. between terminals and frame
 - 500 Vrms 50 Hz min. between terminals
- Electrical life at full load :

Contacts	Number of cycles	
	2 positions	3 positions
Gold plated	60.000	30.000
Silver plated	20.000	10.000

MATERIALS

- Case : PBT
- Actuator : polyamide
- Contacts and terminals :
 - 0** : brass, gold plated
 - 1** : brass, silver plated
 - 3** : brass, gold plated (1,27 micron gold)
 - 8** : contact brass, gold plated + tin plated terminals
 - 9** : contact brass, gold plated (1,27 micron gold) + tin plated terminals
- Terminal seal : epoxy

GENERAL SPECIFICATIONS

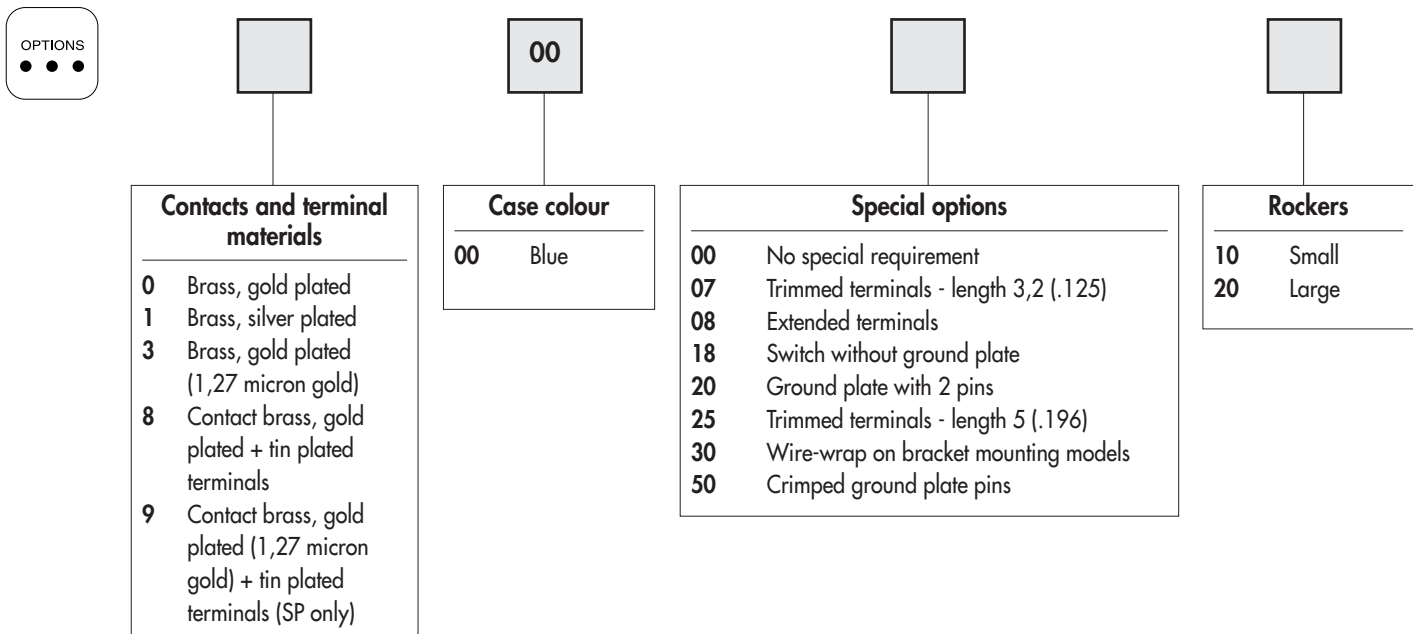
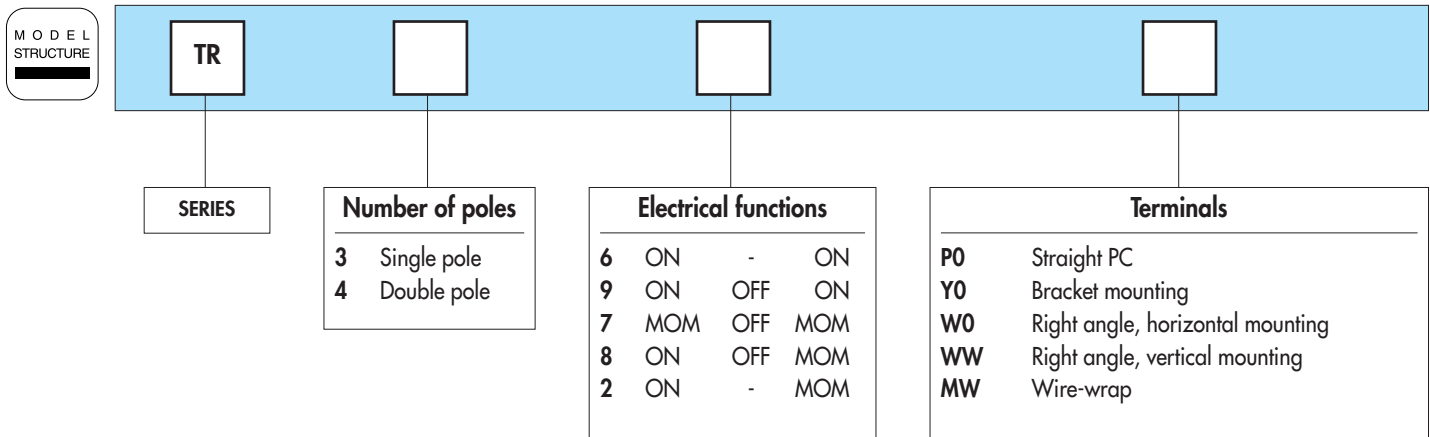
- Strength of terminals : pull-out force - 10N max.
- Operating temperature : -30°C to +85°C
- Moisture : 21 days 95 % (NFC 20-603 - IEC 68-2-3)
- Cleaning : solvents or water + detergent
- Wave soldering : 260°C - 5 sec.

D

TR series

Tiny washable rocker switches

Overview



ABOUT THIS SERIES

On the following pages, you will find successively :

- model structure of switches
- options in the same order as in above chart

Dimensions : first dimensions are in mm while inches are shown as bracketed numbers.



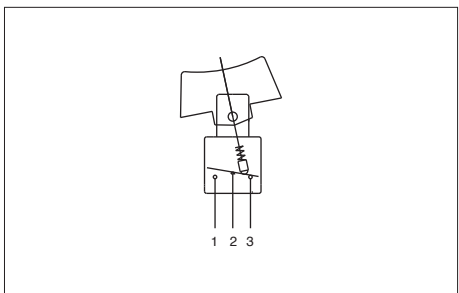
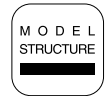
NOTICE : please note that not all combinations of above numbers are available. Refer to the following pages for further information.



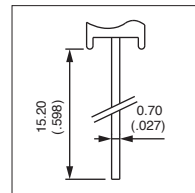
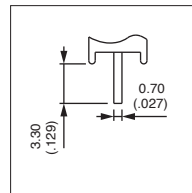
Packaging unit : 50 pieces.

TR series

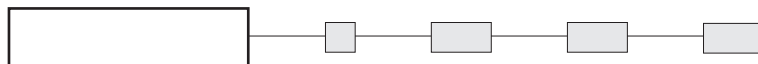
Tiny washable rocker switches



- Straight PC, right angle or wire-wrap terminals
- 1 and 2 pole configurations



MODEL STRUCTURE

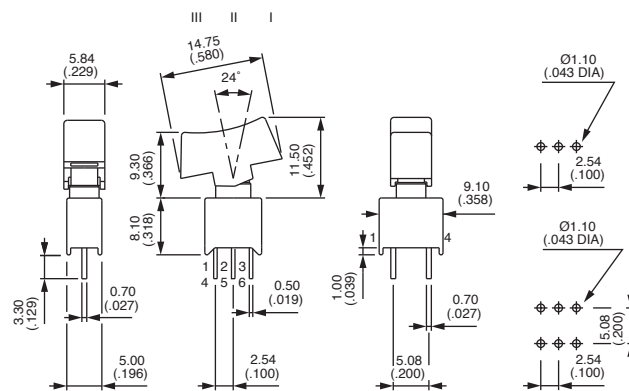


Shown with small rocker (code 10)

Straight PC terminals : TR..PO



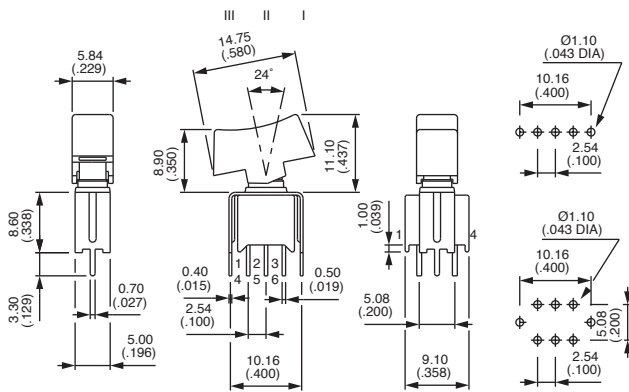
	Single pole	Double pole	III	II	I
TR36PO	TR46PO	ON - ON			
TR39PO	TR49PO	ON OFF ON			
TR37PO	TR47PO	MOM OFF MOM			
TR38PO	TR48PO	ON OFF MOM			
TR32PO	TR42PO	ON - MOM			



Straight terminals - bracket mounting : TR..YO



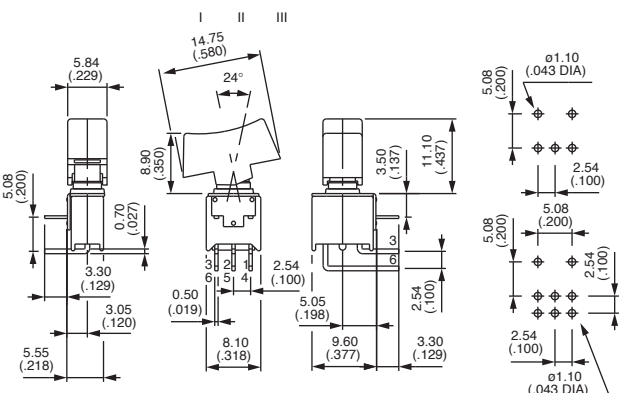
	Single pole	Double pole	III	II	I
TR36YO	TR46YO	ON - ON			
TR39YO	TR49YO	ON OFF ON			
TR37YO	TR47YO	MOM OFF MOM			
TR38YO	TR48YO	ON OFF MOM			
TR32YO	TR42YO	ON - MOM			



Right angle terminals - horizontal mounting : TR..WO



	Single pole	Double pole	III	II	I
TR36WO	TR46WO	ON - ON			
TR39WO	TR49WO	ON OFF ON			
TR37WO	TR47WO	MOM OFF MOM			
TR38WO	TR48WO	ON OFF MOM			
TR32WO	TR42WO	ON - MOM			





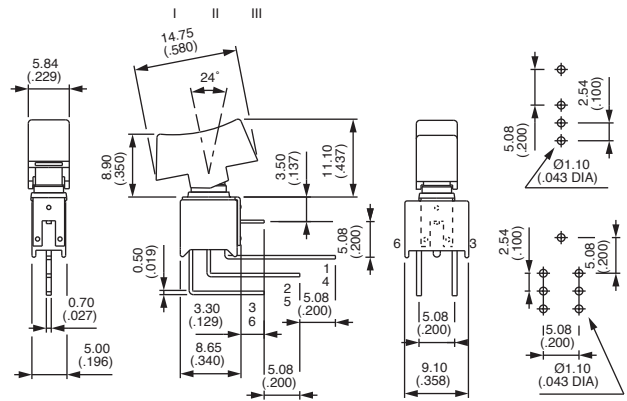
TR series

Tiny washable rocker switches

Right angle terminals - vertical mounting : TR..WW



	Single pole	Double pole	III	II	I
TR36WW	TR46WW	ON - ON			
TR39WW	TR49WW	ON OFF ON			
TR37WW	TR47WW	MOM OFF MOM			
TR38WW*	TR48WW*	ON OFF MOM			
TR32WW*	TR42WW*	ON - MOM			

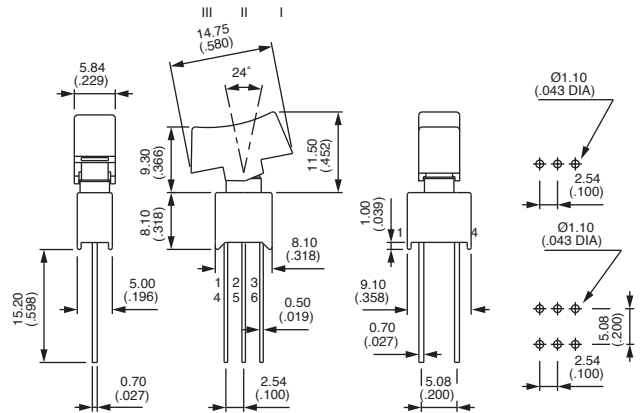


* Functions 2 and 8 : reversed connection available . Consult factory.

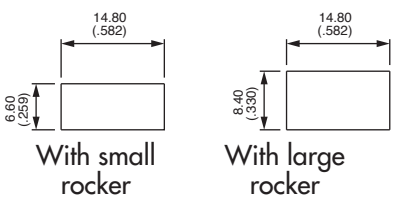
Wire-wrap terminals : TR..MW



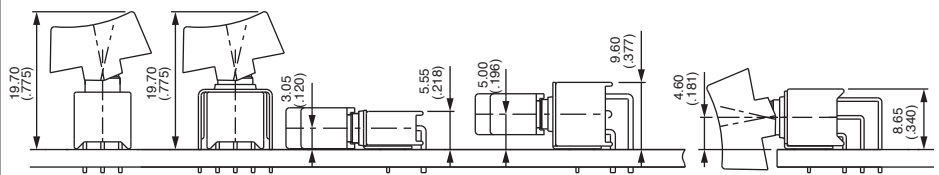
	Single pole	Double pole	III	II	I
TR36MW	TR46MW	ON - ON			
TR39MW	TR49MW	ON OFF ON			
TR37MW	TR47MW	MOM OFF MOM			
TR38MW	TR48MW	ON OFF MOM			
TR32MW	TR42MW	ON - MOM			



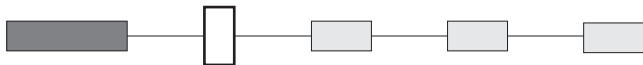
PANEL CUT-OUT



PCB MOUNTING

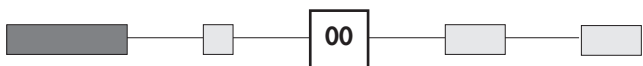


CONTACT AND TERMINAL MATERIALS



- 0 Brass, gold plated
- 1 Brass, silver plated
- 3 Brass, gold plated (1,27 micron gold)
- 8 Contact brass, gold plated + tin plated terminals
- 9 Contact brass, gold plated (1,27 micron gold) + tin plated terminals (single pole only)

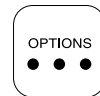
CASE COLOUR



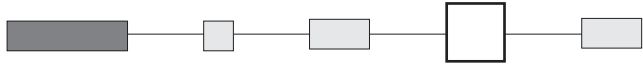
- 00 Blue

TR series

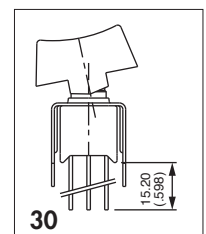
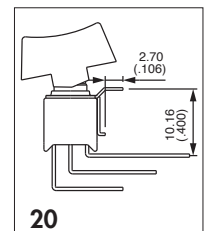
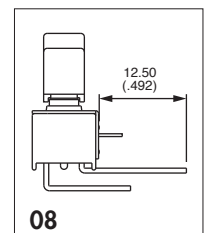
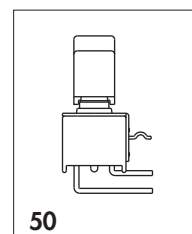
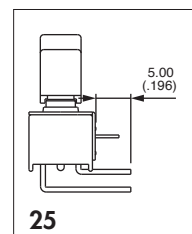
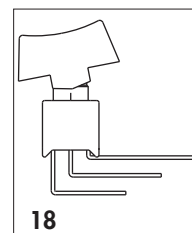
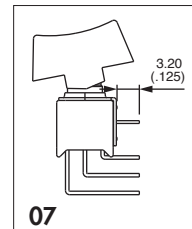
Tiny washable rocker switches



SPECIAL OPTIONS

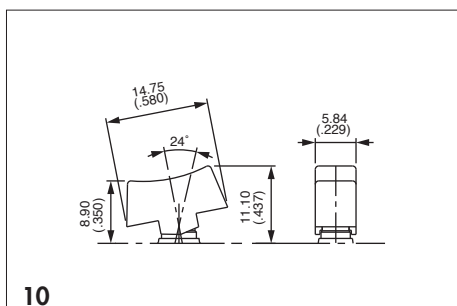
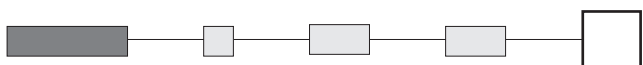


- 00 No special requirement
- 07 **Trimmed terminals** - length 3,2 mm (.125) for TR..WW models only
- 08 **Extended terminals** for TR..WO models only
- 18 Switch **without ground plate** for TR..WW models only
- 20 **Ground plate with 2 pins** for TR..WW models only
- 25 **Trimmed terminals** - length 5 mm (.196) for all models, except TR..WW
- 30 **Wire-wrap terminals** on models with mounting **bracket**
- 50 **Crimping of ground plate pins.**
Retains switch on PCB during handling and wave soldering.
For models TR..WO, TR..WW and TR..YO single and double pole.

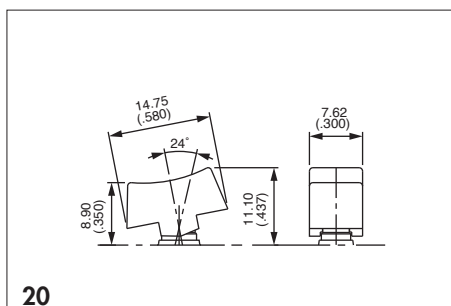


Marking on rocker : consult factory.

ROCKERS



10
Small



20
Large

Rocker colours	
Replace "0" by number	
1	blue
1/4	dark blue
2	black
3	green
4	grey
5	yellow
6	red
7	ivory
7/1	white
9	orange

X-ON Electronics

Largest Supplier of Electrical and Electronic Components

Click to view similar products for [Input Devices](#) category:

Click to view products by [Apem](#) manufacturer:

Other Similar products are found below :

[80260-00](#) [81485-28](#) [81521-08](#) [FKB4720-103](#) [84250-26](#) [84980-04](#) [84S-AC1-000](#) [JD-0700EU-2](#) [JM-0800-2](#) [JW-T0100](#) [89498-13](#) [89758-05](#)
[89886-26](#) [89941-00](#) [G80-3000LSCEU-2](#) [MJ0FGGRY](#) [JM-0800-0](#) [84S-BB1-004](#) [81601-26](#) [UL21KMZQ](#) [G8011900LPMUS0](#) [G84-](#)
[4700LUCUS-0](#) [81485-26](#) [84105-13](#) [V400-W24 5M](#) [V400-W23 5M](#) [G84-5200LCMEU-2](#) [DT2257X20V00GRY](#) [V400-W23P 5M](#)
[VW3A8151R20U](#) [V400-W24 15M](#) [LT1332D](#) [V400-W24 10M](#) [V400-W24P 15M](#) [V400-WM0 1M](#) [V400-W24P 10M](#) [V400-W23P 10M](#)
[TCS-1492OP](#) [V400-W23 3M](#) [LT1372D](#) [LP1007EXXH00R](#) [DT2253X20V00BLK](#) [100133BX](#) [EZ08-230013](#) [81248-04](#) [89887-26](#) [90215-00](#)
[HB110C3NWBNA](#) [9700001201](#) [80260-08](#)