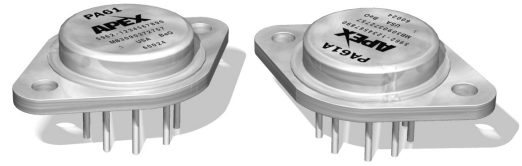


Power Operational Amplifiers



FEATURES

- Wide Supply Range — ± 10 to ± 45 V
- High Output Current — ± 10 A Peak
- Low Cost — Class “C” Output Stage
- Low Quiescent Current — 3mA



APPLICATIONS

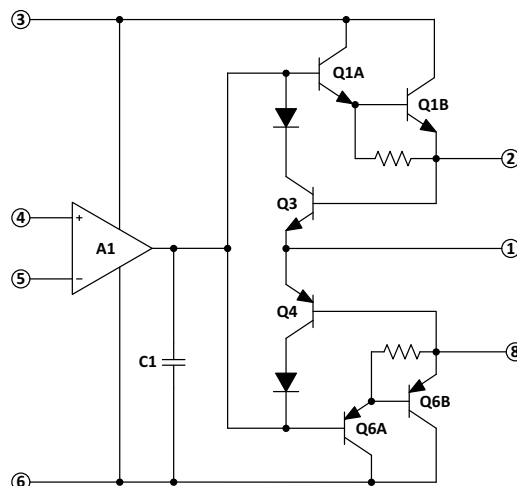
- Programmable Power Supply
- Motor/Syncro Driver
- Valve And Actuator Control
- DC or AC Power Regulator
- Fixed Frequency Power Oscillator

DESCRIPTION

The PA61 and PA61A are high output current operational amplifiers designed to drive resistive, inductive and capacitive loads. Their complementary emitter follower output stage is the simple class C type and optimized for low frequency applications where crossover distortion is not critical. These amplifiers are not recommended for audio, transducer or deflection coil drive circuits above 1 kHz or when distortion is critical. The safe operating area (SOA) is fully specified and can be observed for all operating conditions by selection of user programmable current limiting resistors. Both amplifiers are internally compensated for all gain settings. For continuous operation under load, mounting on a heatsink of proper rating is recommended.

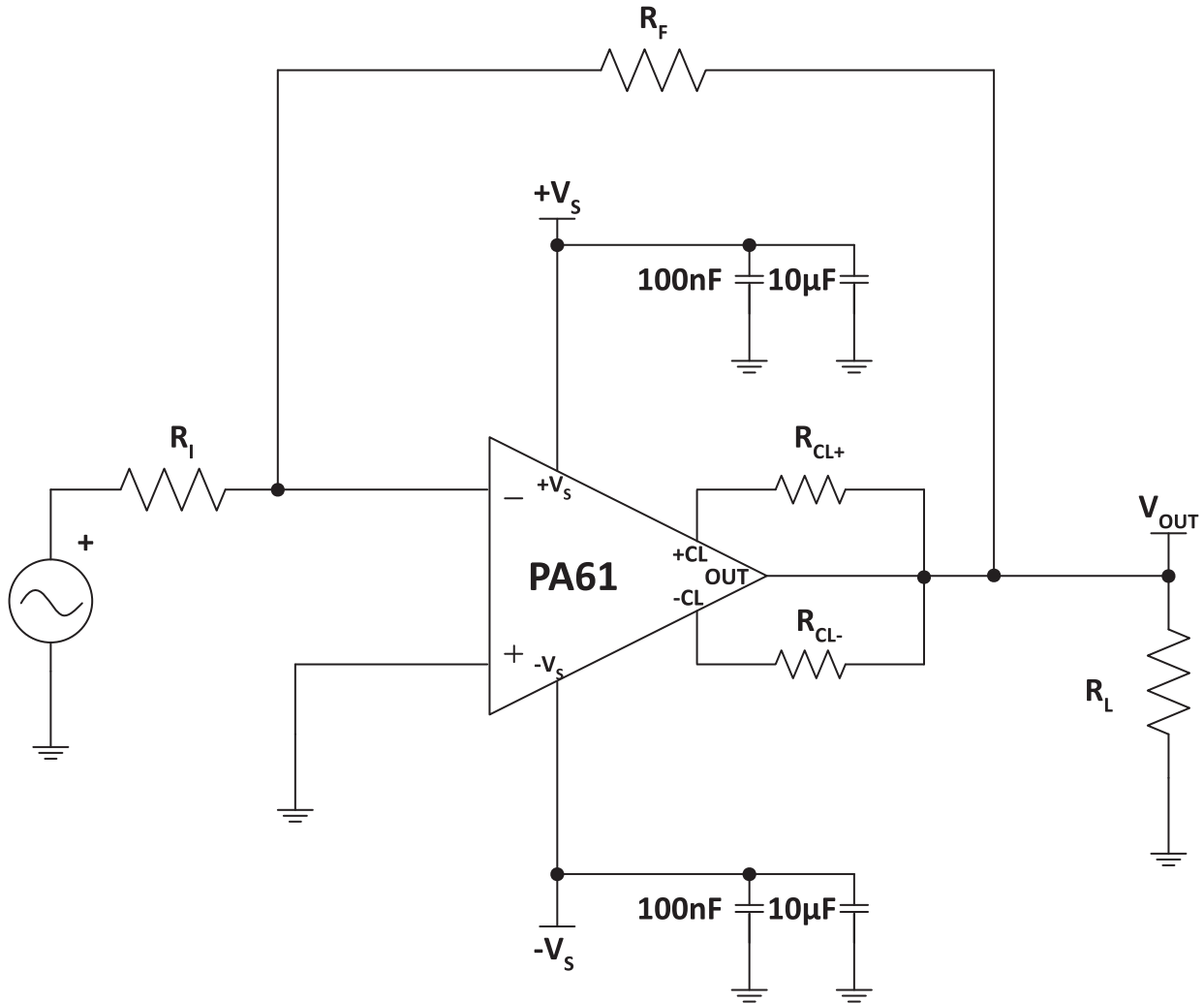
This hybrid circuit utilizes thick film conductors, ceramic capacitors, and semiconductor chips to maximize reliability, minimize size, and give top performance. Ultrasonically bonded aluminum wires provide reliable interconnections at all operating temperatures. The 8-pin TO-3 package is electrically isolated and hermetically sealed. The use of compressible thermal washers and/or improper mounting torque voids the product warranty. Please see Application Note 1, “General Operating Considerations”.

Figure 1: Equivalent Schematic



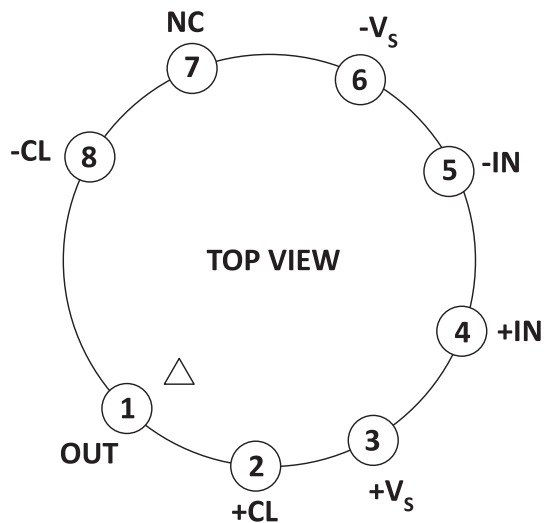
TYPICAL CONNECTION

Figure 2: Typical Connection



PINOUT AND DESCRIPTION TABLE

Figure 3: External Connections



Pin Number	Name	Description
1	OUT	The output. Connect this pin to load and to the feedback resistors.
2	+CL	Connect to the sourcing current limit resistor. Output current flows into/out of this pin through R_{CL+} . The output pin and the load are connected to the other side of R_{CL+} .
3	-Vs	The positive supply rail.
4	+IN	The non-inverting input.
5	-IN	The inverting input.
6	-Vs	The negative supply rail.
7	NC	No connection.
8	-CL	Connect to the sinking current limit resistor. Output current flows into/out of this pin through R_{CL-} . The output pin and the load are connected to the other side of R_{CL-} .

SPECIFICATIONS

The power supply voltage for all specifications is the TYP rating unless noted as a test condition.

ABSOLUTE MAXIMUM RATINGS

Parameter	Symbol	Min	Max	Units
Supply Voltage, total	$+V_S$ to $-V_S$		90	V
Output Current, within SOA	I_O		10	A
Power Dissipation, internal	P_D		97	W
Input Voltage, differential	V_{IN} (Diff)		± 37	V
Input Voltage, common mode	V_{cm}		$\pm V_S$	V
Temperature, pin solder, 10s max.			350	$^{\circ}\text{C}$
Temperature, junction ¹	T_J		200	$^{\circ}\text{C}$
Temperature Range, storage		-65	+150	$^{\circ}\text{C}$
Operating Temperature Range, case	T_C	-55	+125	$^{\circ}\text{C}$

1. Long term operation at the maximum junction temperature will result in reduced product life. Derate internal power dissipation to achieve high MTTF.

CAUTION

The internal substrate contains beryllia (BeO). Do not break the seal. If accidentally broken, do not crush, machine, or subject to temperatures in excess of 850 $^{\circ}\text{C}$ to avoid generating toxic fumes.

INPUT

Parameter	Test Conditions	PA61			PA61A			Units
		Min	Typ	Max	Min	Typ	Max	
Offset Voltage, initial	$T_C = 25^\circ\text{C}$		± 2	± 6		± 1	± 4	mV
Offset Voltage vs. Temperature	Specified temp range		± 10	± 65		*	± 40	$\mu\text{V}/^\circ\text{C}$
Offset Voltage vs. Supply	$T_C = 25^\circ\text{C}$		± 30	± 200		*	*	$\mu\text{V}/\text{V}$
Offset Voltage vs. Power	$T_C = 25^\circ\text{C}$		± 20			*		$\mu\text{V}/\text{W}$
Bias Current, initial	$T_C = 25^\circ\text{C}$		12	30		10	20	nA
Bias Current vs. Temperature	Specified temp range		± 50	± 500		*	*	$\text{pA}/^\circ\text{C}$
Bias Current vs. Supply	$T_C = 25^\circ\text{C}$		± 10			*		pA/V
Offset Current, initial	$T_C = 25^\circ\text{C}$		± 12	± 30		± 5	± 10	nA
Offset Current vs. Temperature	Specified temp range		± 50			*		$\text{pA}/^\circ\text{C}$
Input Impedance, DC	$T_C = 25^\circ\text{C}$		200			*		$\text{M}\Omega$
Input Capacitance	$T_C = 25^\circ\text{C}$		3			*		pF
Common Mode Voltage Range ¹	Specified temp range	$\pm V_S - 5$	$\pm V_S - 3$		*	*		V
Common Mode Rejection, DC ¹	Specified temp range	74	100		*	*		dB

1. $+V_S$ and $-V_S$ denote the positive and negative supply rail respectively. Total V_S is measured from $+V_S$ to $-V_S$.

GAIN

Parameter	Test Conditions	PA61			PA61A			Units
		Min	Typ	Max	Min	Typ	Max	
Open Loop @ 10 Hz	Full temp range, full load	96	108		*	*		dB
Gain Bandwidth Product @ 1 MHz	$T_C = 25^\circ\text{C}$, full load		1			*		MHz
Power Bandwidth	$T_C = 25^\circ\text{C}$, $I_O = 8\text{A}$, $V_O = 40V_{PP}$	10	16		*	*		kHz
Phase Margin	Full temp range		45			*		$^\circ$

OUTPUT

Parameter	Test Conditions	PA61			PA61A			Units
		Min	Typ	Max	Min	Typ	Max	
Voltage Swing ¹	T _C =25°C, I _O =10A	±V _S -7	±V _S -5		±V _S -6	*		V
Voltage Swing ¹	Full temp range, I _O = 4A	±V _S -6	±V _S -4		*	*		V
Voltage Swing ¹	Full temp range, I _O = 68mA	±V _S -5			*			V
Current	T _C = 25°C	±10			*			A
Settling Time to 0.1%	T _C =25°C, 2V step		2			*		µs
Slew Rate	T _C =25°C, R _L =6 Ω	1.0	2.8		*	*		V/µs
Capacitive Load, unit gain	Full temp range			1.5			*	nF
Capacitive Load, gain > 4	Full temp range			SOA			*	

1. +V_S and -V_S denote the positive and negative supply rail respectively. Total V_S is measured from +V_S to -V_S.

POWER SUPPLY

Parameter	Test Conditions	PA61			PA61A			Units
		Min	Typ	Max	Min	Typ	Max	
Voltage	Full temp range	±10	±32	±45	*	*	*	V
Current, quiescent	T _C = 25°C		3	10		*	*	mA

THERMAL

Parameter	Test Conditions	PA61			PA61A			Units
		Min	Typ	Max	Min	Typ	Max	
Resistance, AC, junction to case ¹	F > 60 Hz		1.0	1.2		*	*	°C/W
Resistance, DC, junction to case	F < 60 Hz		1.5	1.8		*	*	°C/W
Resistance, junction to air			30			*		°C/W
Temperature Range, case	Meets full range specs	-25	25	+85	*	*	*	°C

1. Rating applies if the output current alternates between both output transistors at a rate faster than 60 Hz.

Note: * The specification of PA61A is identical to the specification for PA61 in applicable column to the left.

TYPICAL PERFORMANCE GRAPHS

Figure 4: Power Derating

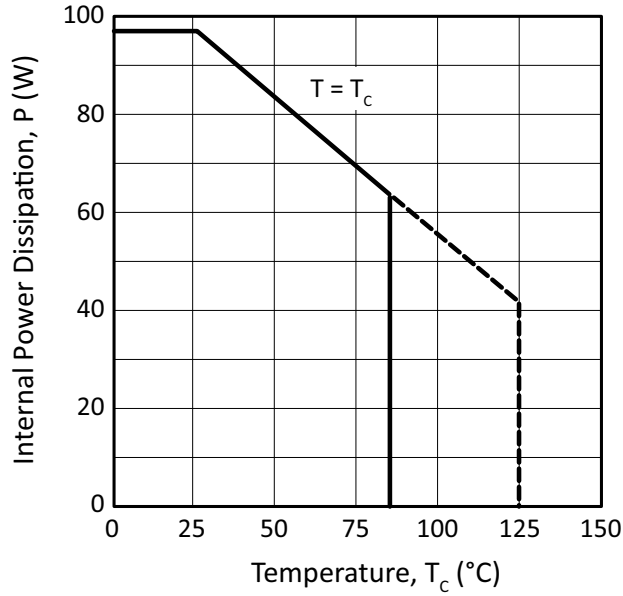


Figure 5: Output Voltage Swing

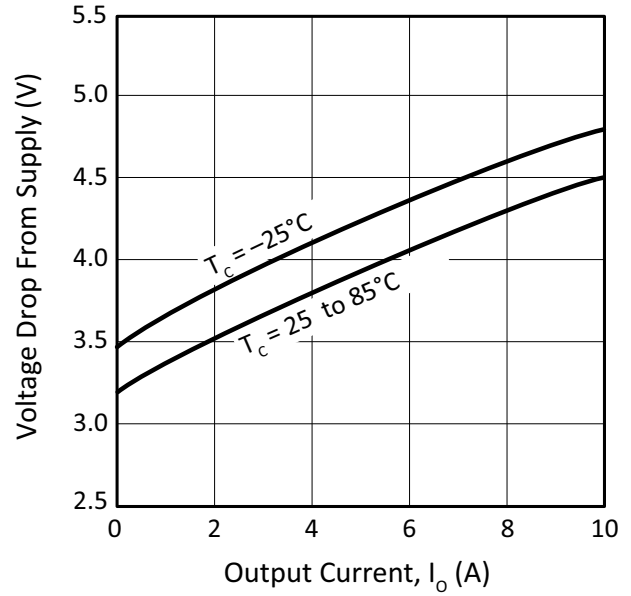


Figure 6: Small Signal Response

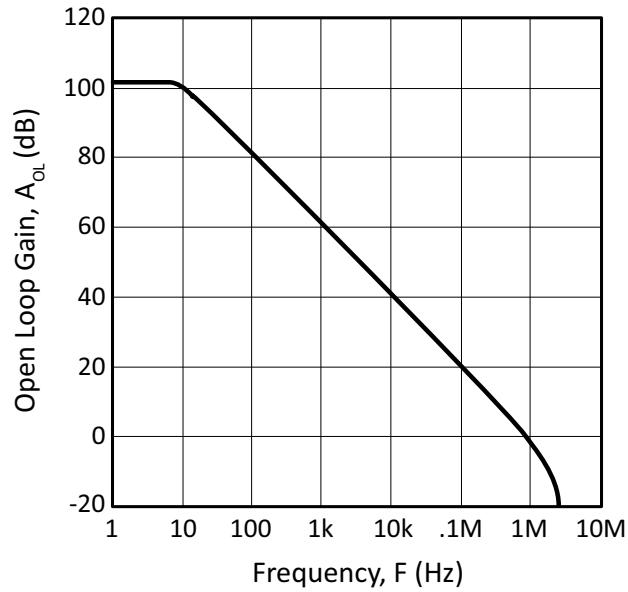


Figure 7: Phase Response

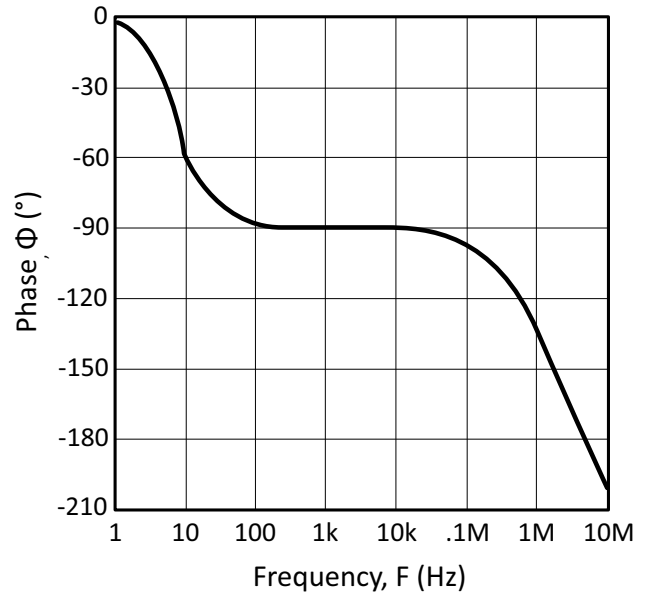


Figure 8: Current Limit

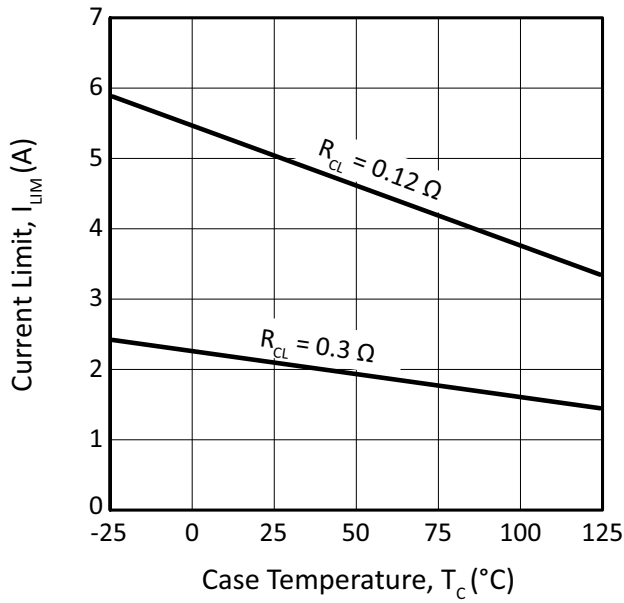


Figure 9: Power Response

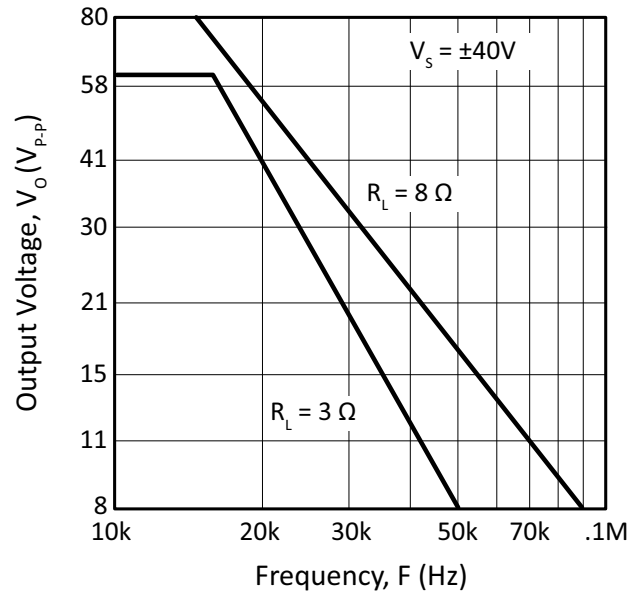


Figure 10: Pulse Response

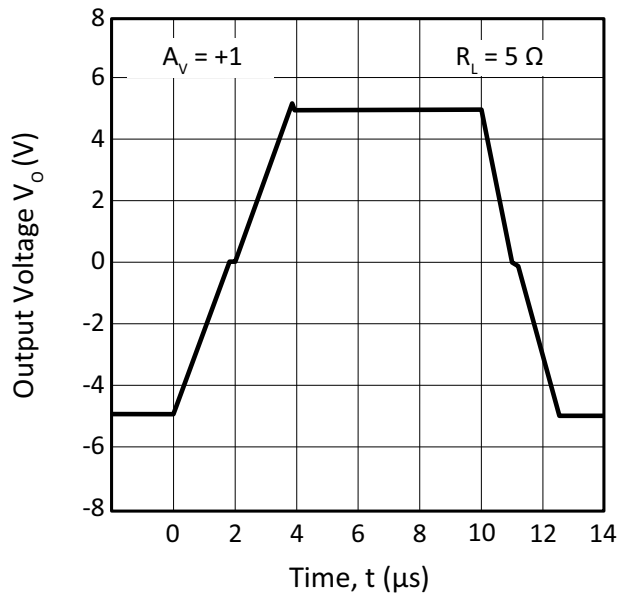


Figure 11: Common Mode Rejection

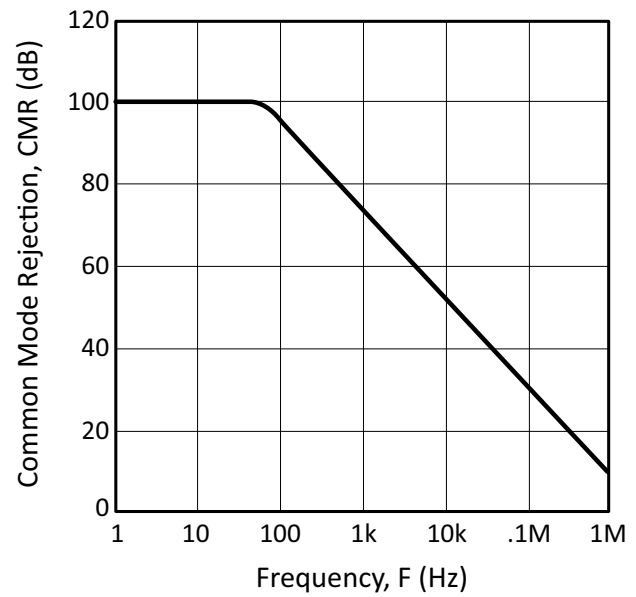


Figure 12: Bias Current

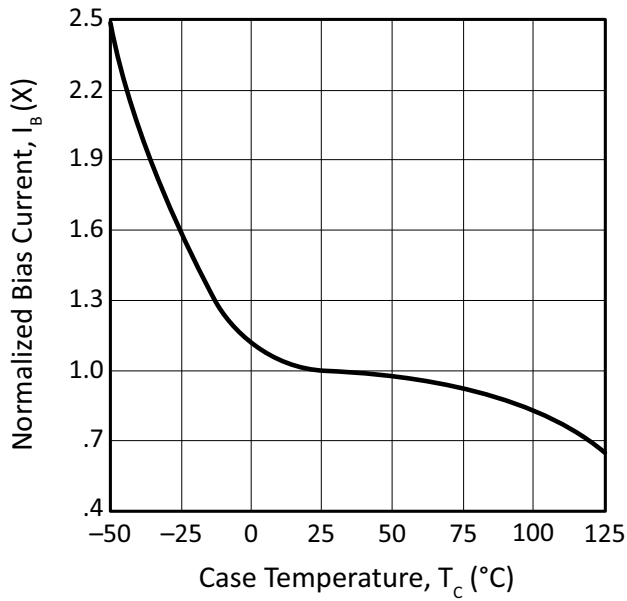


Figure 13: Harmonic Distortion

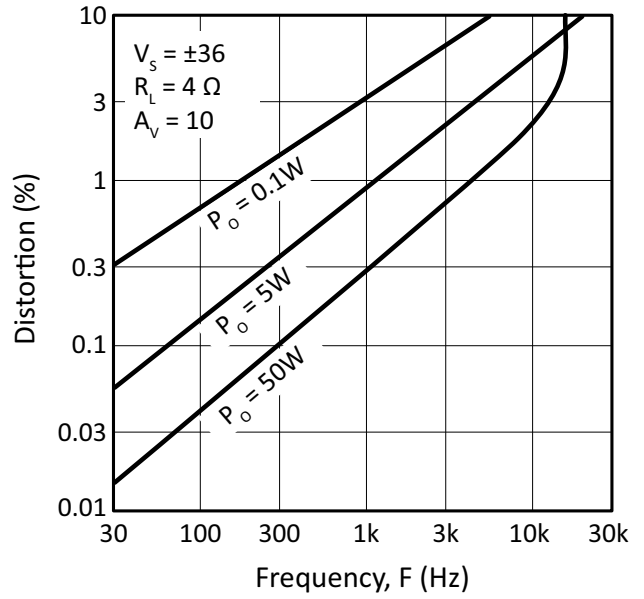


Figure 14: Quiescent Current

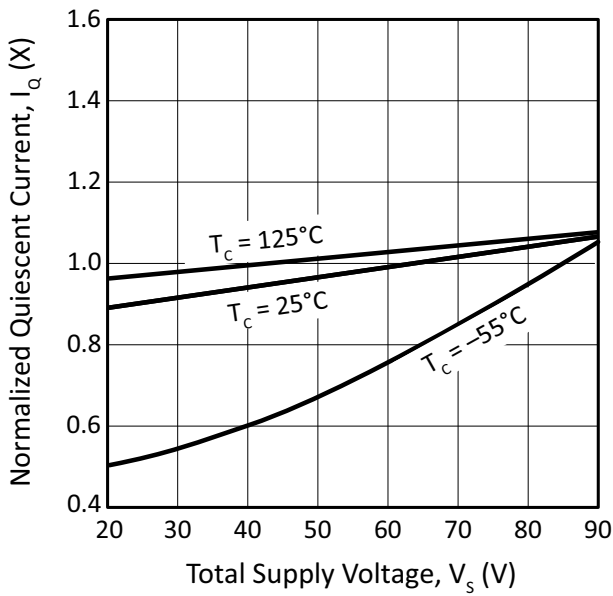
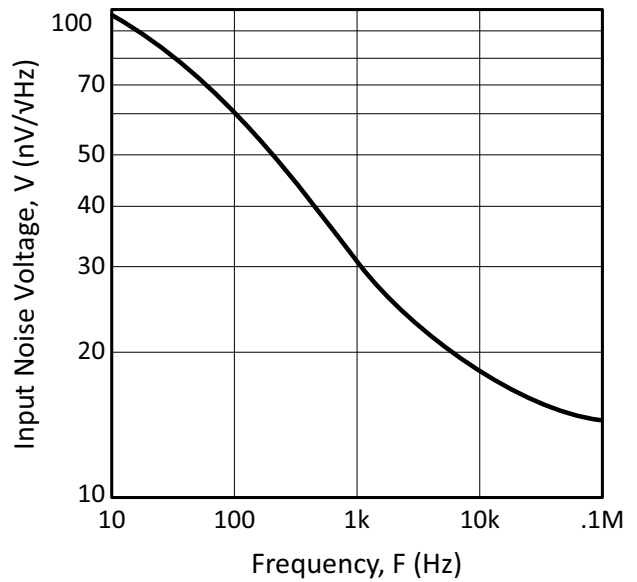


Figure 15: Input Noise



SAFE OPERATING AREA (SOA)

The output stage of most power amplifiers has 3 distinct limitations:

1. The current handling capability of the transistor geometry and the wire bonds.
2. The second breakdown effect which occurs whenever the simultaneous collector current and collector-emitter voltage exceeds specified limits.
3. The junction temperature of the output transistors.

The SOA curves combine the effect of all limits for this Power Op Amp. For a given application, the direction and magnitude of the output current should be calculated or measured and checked against the SOA curves. This is simple for resistive loads but more complex for reactive and EMF generating loads. The following guidelines may save extensive analytical efforts.

1. Under transient conditions, capacitive and dynamic* inductive loads up to the following maximum are safe:

$\pm V_S$	Capacitive Load		Inductive Load	
	$I_{LIM} = 5A$	$I_{LIM} = 10A$	$I_{LIM} = 5A$	$I_{LIM} = 10A$
45V	200 F	150 F	8 mH	2.8 mH
40V	400 F	200 F	11 mH	4.3 mH
35V	800 F	400 F	20 mH	5.0 mH
30V	160 F	800 F	35 mH	6.2 mH
25V	5mF	2.5mF	50 mH	15 mH
20V	10mF	5mF	400 mH	20 mH
15V	20mF	10mF	**	100 mH

* If the inductive load is driven near steady state conditions, allowing the output voltage to drop more than 8V below the supply rail with $I_{LIM} = 10A$ or 15V below the supply rail with $I_{LIM} = 5A$ while the amplifier is current limiting, the inductor should be capacitively coupled or the current limit must be lowered to meet SOA criteria.

** Second breakdown effect imposes no limitation but thermal limitations must still be observed.

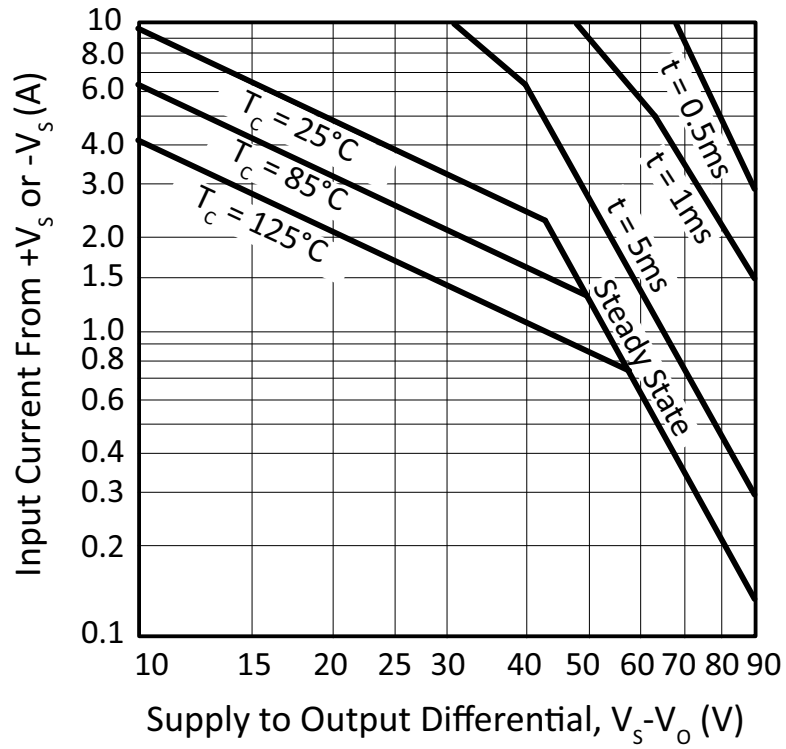
2. The amplifier can handle any EMF generating or reactive load and short circuits to the supply rail or shorts to common if the current limits are set as follows at $T_C = 85^\circ C$.

$\pm V_S$	Short to $\pm V_S$ C, L, or EMF Load	Short to Common
45V	0.1A	1.3A
40V	0.2A	1.5A
35V	0.3A	1.6A
30V	0.5A	2.0A
25V	1.2A	2.4A
20V	1.5A	3.0A
15V	2.0A	4.0A

* These simplified limits may be exceeded with further analysis using the operating conditions for a specific application.

- The output stage is protected against transient flyback. However, for protection against sustained, high energy flyback, external fast-recovery diodes should be used.

Figure 16: SOA



GENERAL

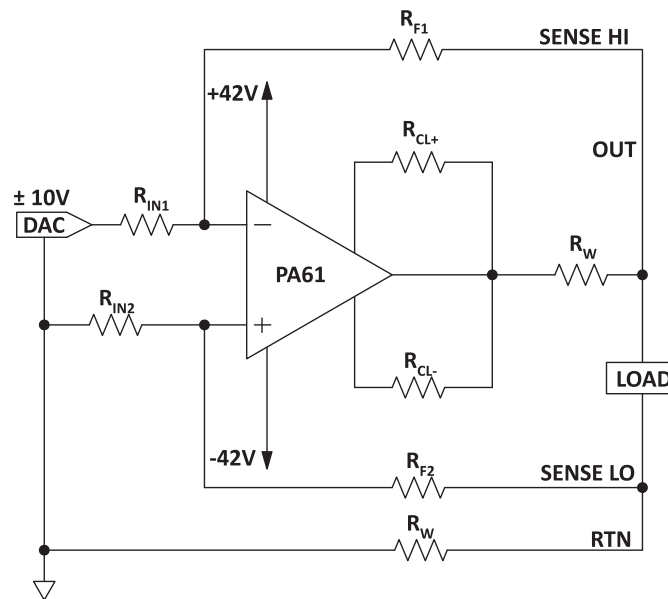
Please read Application Note 1 “General Operating Considerations” which covers stability, supplies, heat sinking, mounting, current limit, SOA interpretation, and specification interpretation. Visit www.apexanalog.com for Apex Microtechnology’s complete Application Notes library, Technical Seminar Workbook, and Evaluation Kits.

TYPICAL APPLICATION

Due to its high current drive capability, PA61 applications often utilize remote sensing to compensate IR drops in the wiring. The importance of remote sensing increases as accuracy requirements, output currents, and distance between amplifier and load go up. The circuit above shows wire resistance from the PA61 to the load and back to the local ground via the power return line. Without remote sensing, a 7.5A load current across only 0.05 ohm in each line would produce a 0.75V error at the load.

With the addition of the second ratio matched R_F/R_{IN} pair and two low current sense wires, IR drops in the power return line become common mode voltages for which the op amp has a very high rejection ratio. Voltage drops in the output and power return wires are inside the feedback loop. Therefore, as long as the Power Op Amp has the voltage drive capability to overcome the IR losses, accuracy remains the same. Application Note 7 presents a general discussion of PPS circuits.

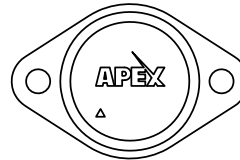
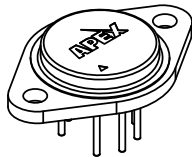
Figure 17: Typical Application (Programmable Power Supply With Remote Sensing)



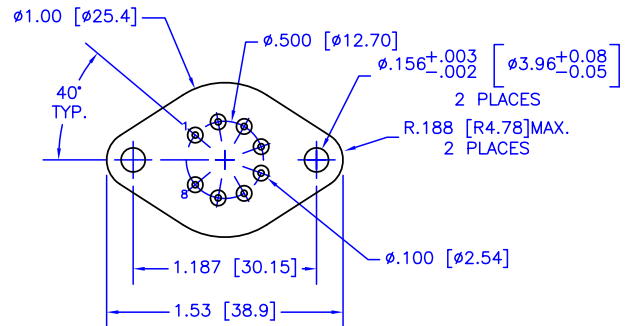
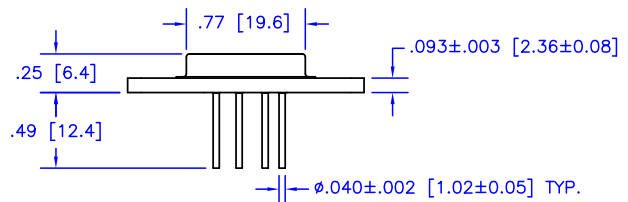
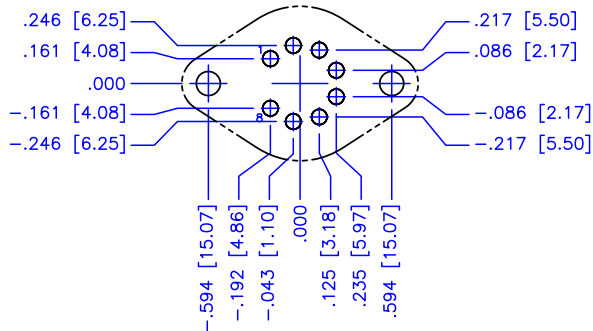
PACKAGE OPTIONS

Part Number	Apex Package Style	Description
PA61	CE	8-pin TO-3
PA61A	CE	8-pin TO-3

PACKAGE STYLE CE



Ordinate dimensions for CAD layout



NOTES:

1. Dimensions are inches & [mm].
2. Triangle printed on lid denotes pin 1.
3. Header flatness within pin circle is .0005" TIR, max.
4. Header flatness between mounting holes is .0015" TIR, max.
5. Standard pin material: Solderable nickel-plated Alloy 52.
6. Header material: Nickel-plated cold-rolled steel.
7. Welded hermetic package seal.
8. Isolation: 500 VDC any pin to case.
9. Package weight: .53 oz [15 g]

NEED TECHNICAL HELP? CONTACT APEX SUPPORT!

For all Apex Microtechnology product questions and inquiries, call toll free 800-546-2739 in North America. For inquiries via email, please contact apex.support@apexanalog.com. International customers can also request support by contacting their local Apex Microtechnology Sales Representative. To find the one nearest to you, go to www.apexanalog.com

IMPORTANT NOTICE

Apex Microtechnology, Inc. has made every effort to insure the accuracy of the content contained in this document. However, the information is subject to change without notice and is provided "AS IS" without warranty of any kind (expressed or implied). Apex Microtechnology reserves the right to make changes without further notice to any specifications or products mentioned herein to improve reliability. This document is the property of Apex Microtechnology and by furnishing this information, Apex Microtechnology grants no license, expressed or implied under any patents, mask work rights, copyrights, trademarks, trade secrets or other intellectual property rights. Apex Microtechnology owns the copyrights associated with the information contained herein and gives consent for copies to be made of the information only for use within your organization with respect to Apex Microtechnology integrated circuits or other products of Apex Microtechnology. This consent does not extend to other copying such as copying for general distribution, advertising or promotional purposes, or for creating any work for resale.

APEX MICROTECHNOLOGY PRODUCTS ARE NOT DESIGNED, AUTHORIZED OR WARRANTED TO BE SUITABLE FOR USE IN PRODUCTS USED FOR LIFE SUPPORT, AUTOMOTIVE SAFETY, SECURITY DEVICES, OR OTHER CRITICAL APPLICATIONS. PRODUCTS IN SUCH APPLICATIONS ARE UNDERSTOOD TO BE FULLY AT THE CUSTOMER OR THE CUSTOMER'S RISK.

Apex Microtechnology, Apex and Apex Precision Power are trademarks of Apex Microtechnology, Inc. All other corporate names noted herein may be trademarks of their respective holders.

X-ON Electronics

Largest Supplier of Electrical and Electronic Components

Click to view similar products for [Operational Amplifiers - Op Amps](#) category:

Click to view products by [Apex Microtechnology](#) manufacturer:

Other Similar products are found below :

[LM258AYDT](#) [LM358SNG](#) [430227FB](#) [UPC824G2-A](#) [LT1678IS8](#) [042225DB](#) [058184EB](#) [UPC259G2-A](#) [NTE925](#) [AZV358MTR-G1](#)
[AP4310AUMTR-AG1](#) [HA1630D02MMEL-E](#) [HA1630S01LPEL-E](#) [NJU77806F3-TE1](#) [NCV20034DR2G](#) [LM324EDR2G](#) [LM2902EDR2G](#)
[NTE778S](#) [NTE871](#) [NTE924](#) [NTE937](#) [MCP6V17T-E/MNY](#) [MCP6V19-E/ST](#) [MCP6V36UT-E/LTY](#) [MXD8011HF](#) [SCY6358ADR2G](#)
[LTC2065HUD#PBF](#) [NJM2904CRB1-TE1](#) [2SD965T-R](#) [RS6332P XK](#) [BDM8551](#) [BDM321](#) [MD1324](#) [COS8052SR](#) [COS8552SR](#) [COS8554SR](#)
[COS2353SR](#) [COS724TR](#) [ASOPD4580S-R](#) [RS321BKXF](#) [ADA4097-1HUIZ-RL7](#) [NCV4333DTBR2G](#) [EL5420CRZ-T7A](#) [AS324MTR-E1](#)
[AS358MMTR-G1](#) [MCP6472T-E/MS](#) [MCP6491T-ELTY](#) [MCP662-E/MF](#) [TLC073IDGQR](#) [TLC081AIP](#)