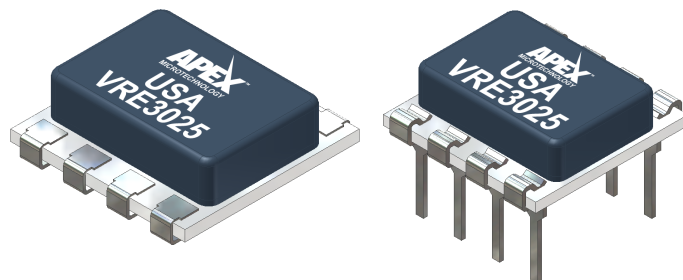


Precision Voltage Reference



FEATURES

- +2.5 V Output, ± 0.375 mV
- Temperature Drift: 1.0 ppm/°C
- Low Noise: $1.5 \mu\text{V}_{\text{p-p}}$ (0.1 Hz-10 Hz)
- Low Thermal Hysteresis: 1 ppm Typical
- ± 15 mA Output Source and Sink Current
- Excellent Line Regulation: 5 ppm/V Typical
- Optional Noise Reduction and Voltage Trim
- Industry Standard Pinout: 8-pin DIP or Surface Mount Package



APPLICATIONS

The VRE3025 is recommended for use as a reference for 14 and 16 bit data converters which require an external precision reference. The device is also ideal for calibrating scale factor on high resolution data converters. The VRE3025 offers superior performance over monolithic references.

DESCRIPTION

The VRE3025 is a low cost, high precision +2.5 V reference that operates from +10 V. The device features a buried zener for low noise and excellent long term stability. Packaged in either an 8-pin DIP or SMT option, the device is ideal for high resolution data conversion systems.

The device provides ultrastable +2.5 V output with ± 0.375 mV initial accuracy and a temperature coefficient of 1.0 ppm/°C. This improvement in accuracy is made possible by a unique, patented multi-point laser compensation technique. Significant improvements have been made in other performance parameters as well, including initial accuracy, warm-up drift, line regulation, and long-term stability, making the VRE3025 series the most accurate reference available.

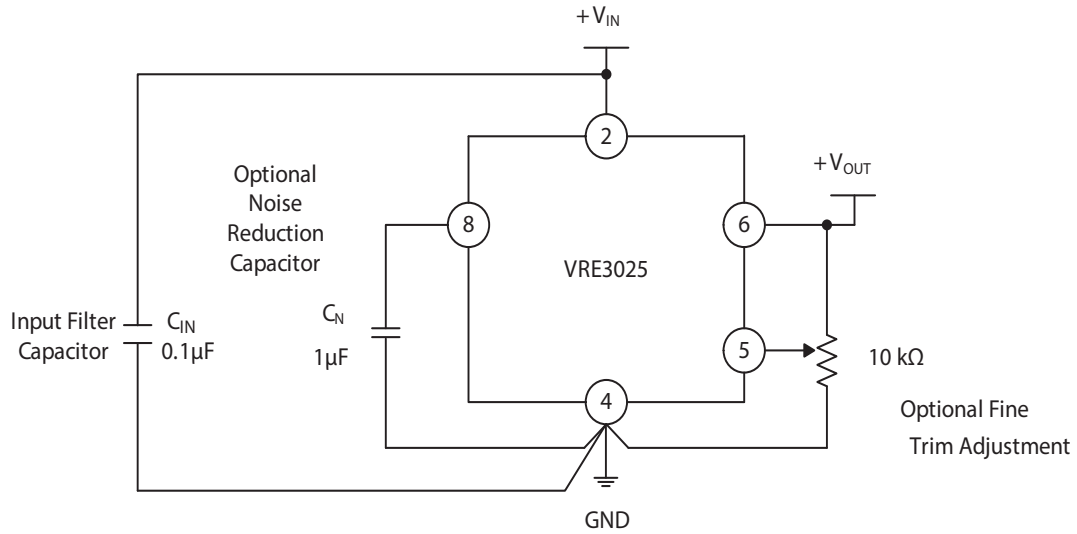
For enhanced performance, the VRE3025 has an external trim option for users who want less than 0.375 mV initial error. For ultra low noise applications, an external capacitor can be attached between the noise reduction pin and the ground pin. A ceramic input filter capacitor of 0.1 μF is recommended to ensure output stability.

SELECTION GUIDE

Model	Initial Error (mV)	Temp. Coeff. (ppm/°C)	Temp Range (°C)	Package Options
VRE3025BS	0.375	1.0	0°C to +70°C	SMT8 (GF)
VRE3025BD	0.375	1.0	0°C to +70°C	DIP8 (KD)
VRE3025JS	0.250	0.6	-40°C to +85°C	SMT8 (GF)
VRE3025LS	0.500	2.0	-40°C to +85°C	SMT8 (GF)

TYPICAL CONNECTION

Figure 1: Typical Connection



PIN DESCRIPTIONS

Pin Number	Name	Description
1, 3, 7	NC	No connection.
2	V_{IN}	The supply voltage connection.
4	GND	Ground.
5	TRIM	Optional fine adjustment. Connect to a voltage divider between OUT and GND.
6	OUT	2.5 V output.
8	NR	Optional noise reduction. Connect a 1 μ F capacitor between this pin and GND.

SPECIFICATIONS

ABSOLUTE MAXIMUM RATINGS

Parameter	Symbol	Min	Max	Unit
Power Supply	V_{IN}	-0.3	+40	V
Out, Trim		-0.3	+12	V
Noise Reduction	NR	-0.3	+6	V
Operating Temp (B)		0	+70	°C
Operating Temp (J,L)		-40	+85	°C
Out Short Circuit to GND Duration ($V_{IN}<12V$)			continuous	s
Out Short Circuit to GND Duration ($V_{IN}<40V$)			5	s
Out Short Circuit to IN Duration ($V_{IN}<12V$)			continuous	s
Continuous Power Dissipation ($T_A = +70^{\circ}C$)			300	mW
Storage Temperature		-65	+150	°C
Lead Temperature (soldering, 10 sec)			+250	°C

ELECTRICAL SPECIFICATIONS

$V_{IN} = +15V$, $T = +25^{\circ}C$, $R_L = 10\text{ k}\Omega$ Unless Otherwise Noted.

Parameter	Symbol	Conditions	Min	Typ	Max	Unit
Input Voltage	V_{IN}		+8		+36	V
Output Voltage ¹	V_{OUT}	VRE3025J	+2.4998	+2.500	+2.5003	V
		VRE3025B	+2.4996	+2.500	+2.5004	
		VRE3025L	+2.4995	+2.500	+2.5005	
Output Voltage Temperature Coefficient ²	TCV_{OUT}	VRE3025J		0.3	0.6	ppm/ $^{\circ}C$
		VRE3025B		0.5	1.0	
		VRE3025L		1.0	2.0	
Trim Adjustment Range	ΔV_{OUT}	Figure 1		± 2.5		mV
Turn-On Settling Time	T_{ON}	To 0.01% of final value		2		μs
Output Noise Voltage	e_n	0.1 Hz < f < 10 Hz		1.5		μV_{P-P}
		10 Hz < f < 1 kHz		1.5	3.0	μV_{RMS}
Temperature Hysteresis ³				1		ppm
Long Term Stability	$\Delta V_{OUT}/t$			6		ppm/ 1000hrs.
Supply Current	I_{IN}			5	7	mA
Load Regulation ⁴	$\Delta V_{OUT}/\Delta I_{OUT}$	Sourcing: $0mA \leq I_{OUT} \leq 15mA$		8	12	ppm/mA
		Sinking: $-15mA \leq I_{OUT} \leq 0mA$		8	12	
Line Regulation ⁴	$\Delta V_{OUT}/\Delta V_{IN}$	$10V \leq V_{IN} \leq 18V$		5	10	ppm/V

1. The specified values are without external trim.
2. The temperature coefficient is determined by the box method. See discussion on temperature performance.
3. Hysteresis over the operating temperature range.
4. Line and load regulation are measured with pulses and do not include voltage changes due to temperature.

TYPICAL PERFORMANCE GRAPHS

Figure 2: V_{OUT} vs. Temperature
 (VRE3025B)

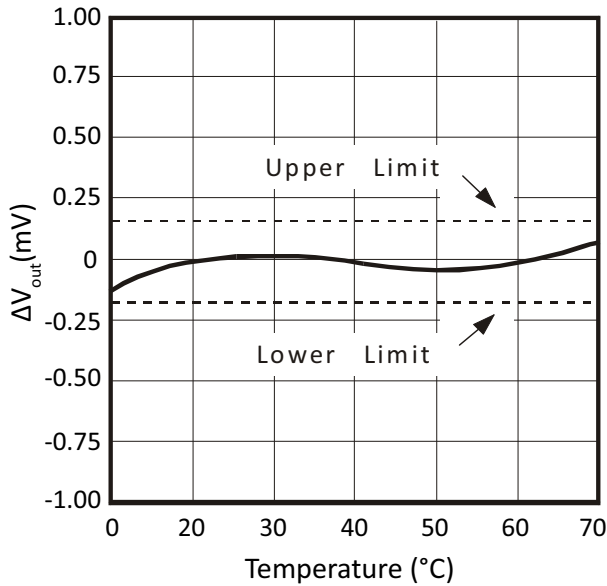


Figure 3: V_{OUT} vs. Temperature
 (VRE3025J)

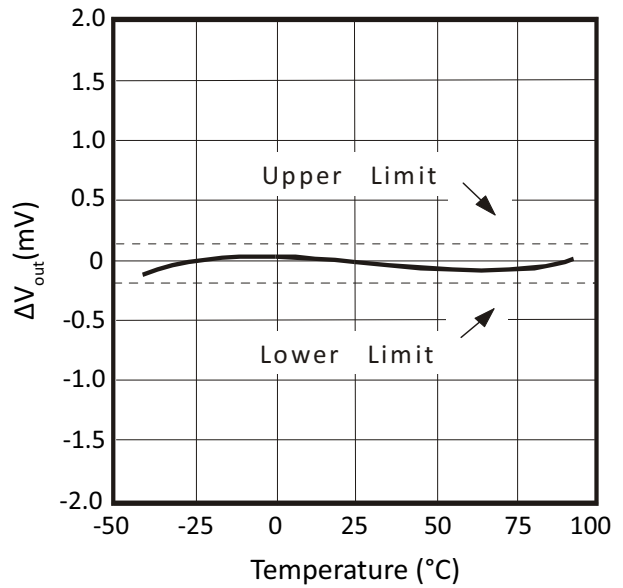


Figure 4: V_{OUT} vs. Temperature
 (VRE3025L)

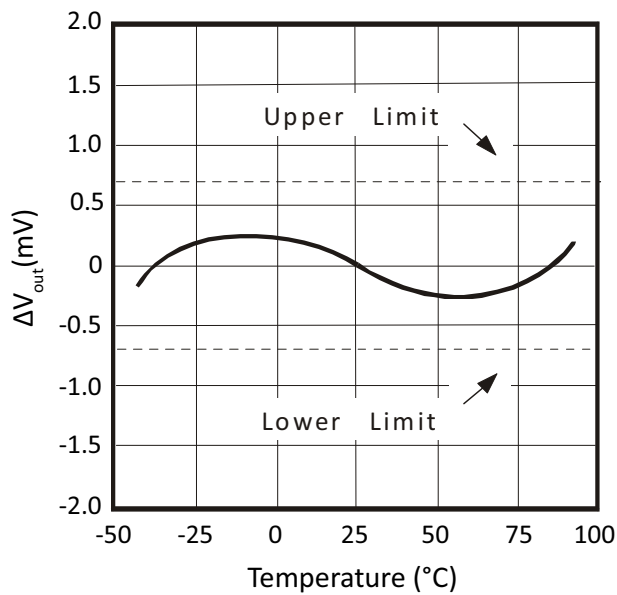


Figure 5: Supply Current vs. Supply Voltage

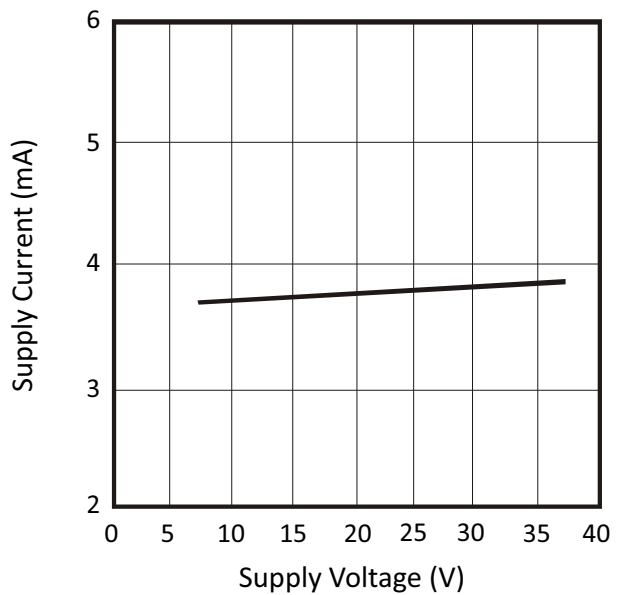


Figure 6: Quiescent Current vs. Temperature

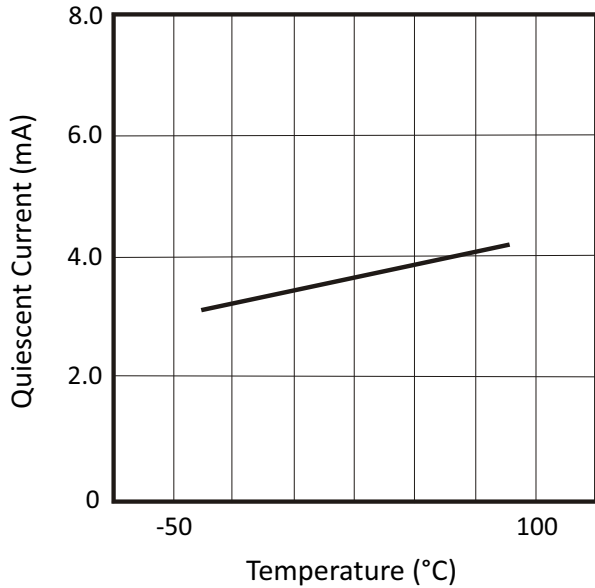


Figure 7: Output Impedance vs. Frequency

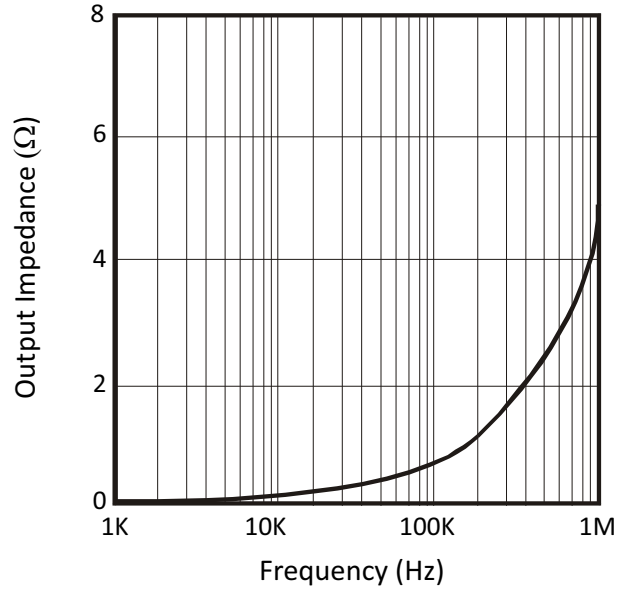


Figure 8: Junction Temp. Rise vs. Output Current

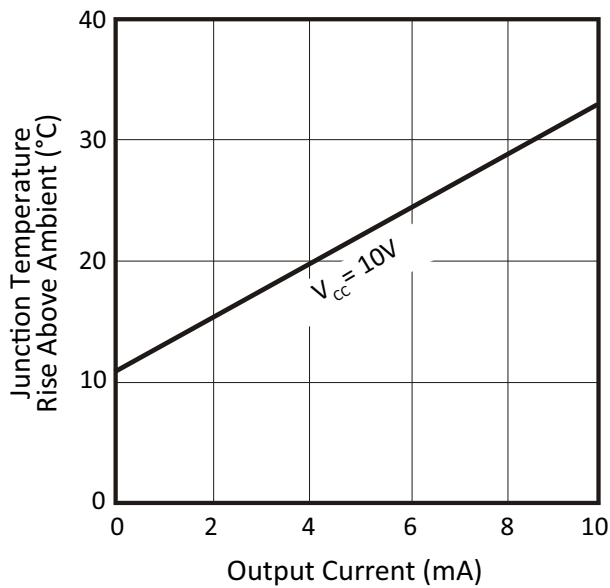


Figure 9: Ripple Rejection vs. Frequency (C_{NR} = 0μF)

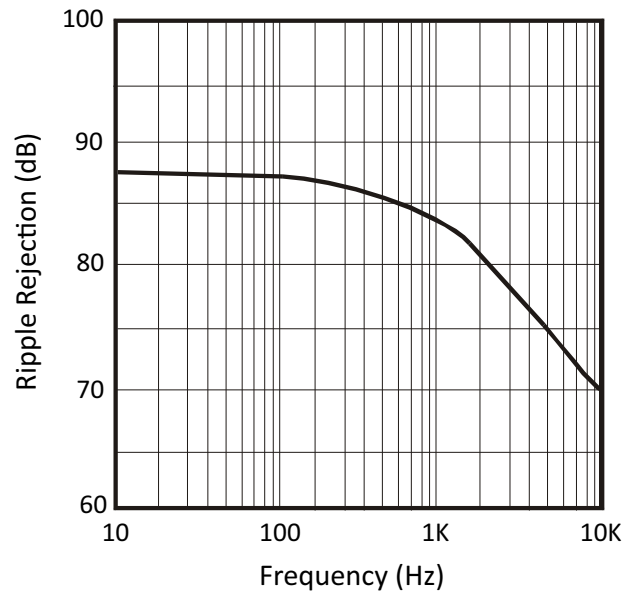


Figure 10: Turn-On and Turn-Off Transient Response

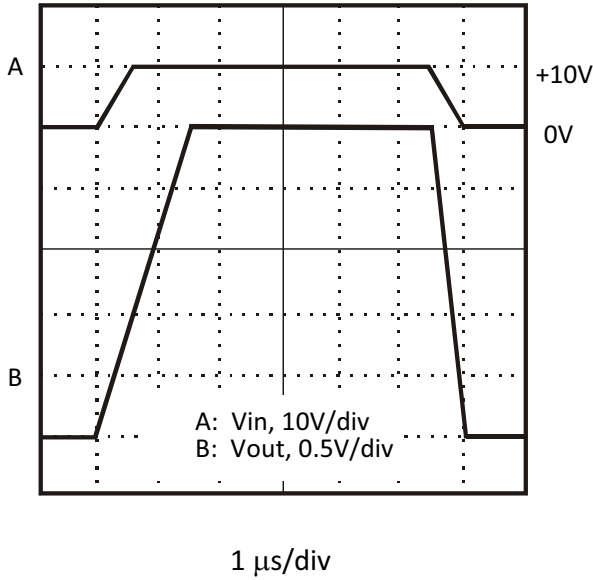


Figure 11: Output Noise-Voltage Density vs. Frequency

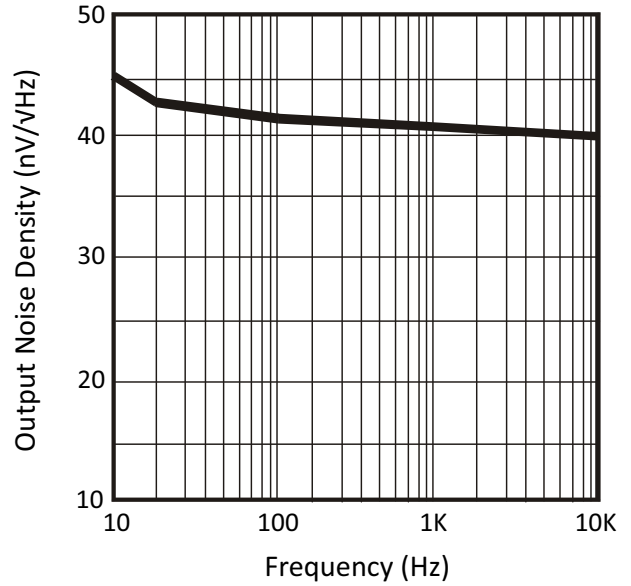


Figure 12: Change in Output Voltage vs. Output Current

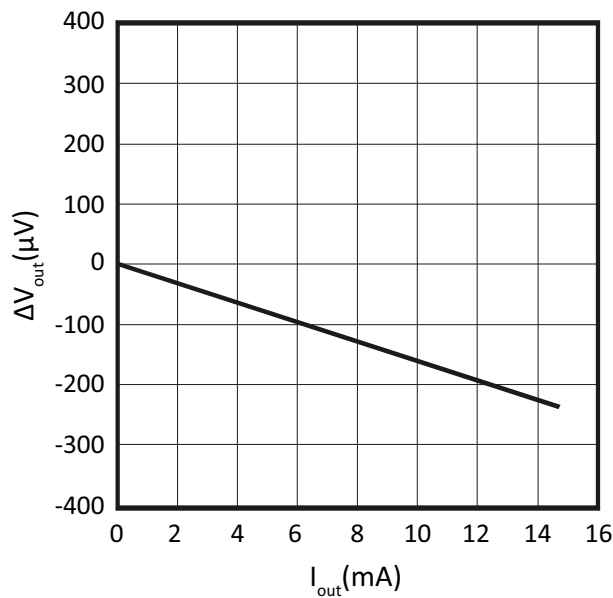


Figure 13: Change in Output Voltage vs. Input Voltage

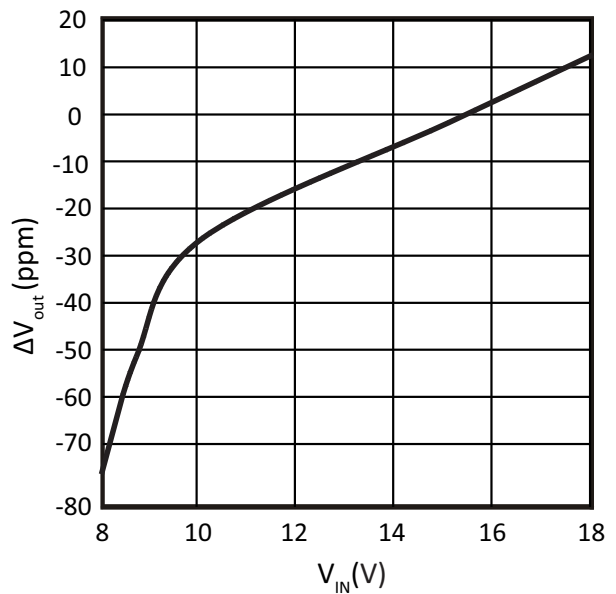
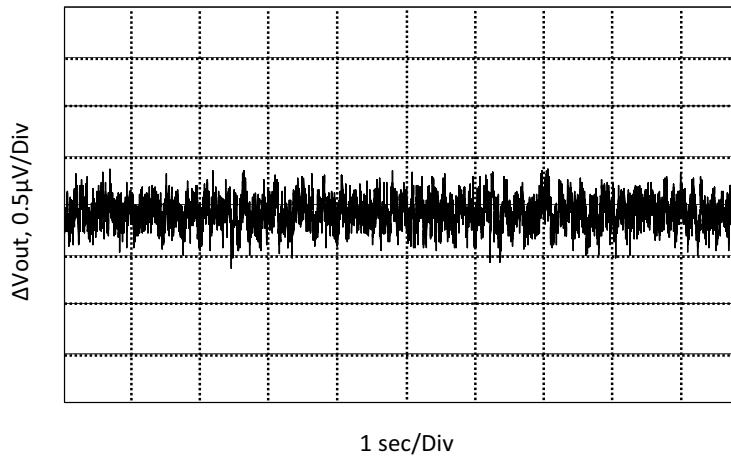
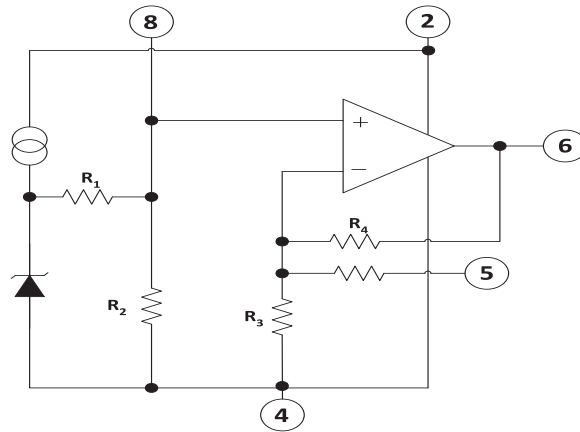


Figure 14: 0.1 Hz to 10 Hz Noise



BLOCK DIAGRAM

Figure 15: Block Diagram



THEORY OF OPERATION

The following discussion refers to the block diagram in Figure 15. A FET current source is used to bias a 6.3 V zener diode. The zener voltage is divided by the resistor network R1 and R2. This voltage is then applied to the non-inverting input of the operational amplifier which amplifies the voltage to produce a 2.5 V output. The gain is determined by the resistor networks R3 and R4: $G=1 + R4/R3$. The 6.3 V zener diode is used because it is the most stable diode over time and temperature.

The current source provides a closely regulated zener current, which determines the slope of the references' voltage vs. temperature function. By trimming the zener current a lower drift over temperature can be achieved. But since the voltage vs. temperature function is nonlinear this compensation technique is not well suited for wide temperature ranges.

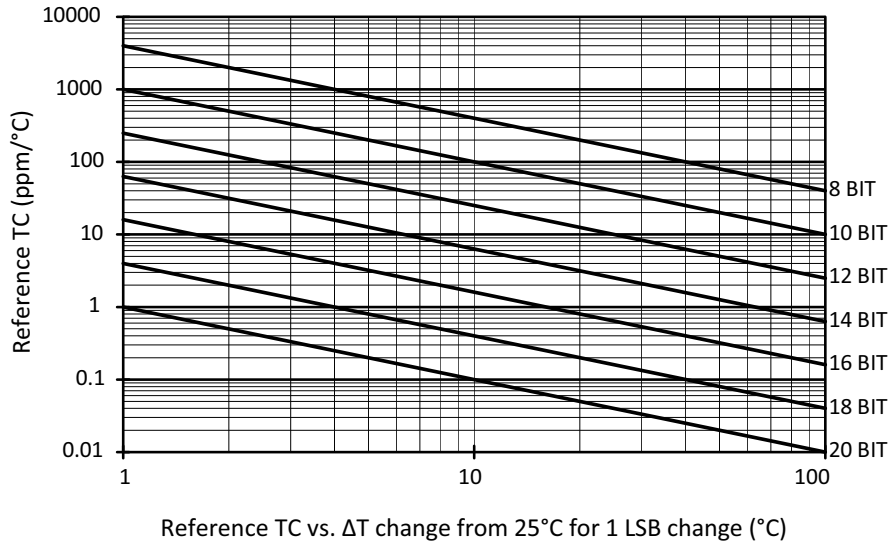
A nonlinear compensation network of thermistors and resistors that is used in the VRE series voltage references. This proprietary network eliminates most of the nonlinearity in the voltage vs. temperature function. By adjusting the slope, a very stable voltage is produced over wide temperature ranges.

This network is less than 2% of the overall network resistance so it has a negligible effect on long term stability. The proper connection of the VRE3025 series voltage references with the optional trim resistor for initial error and the optional capacitor for noise reduction is shown above.

BASIC CIRCUIT CONNECTION

To achieve the specified performance, pay careful attention to the layout. A low resistance star configuration will reduce voltage errors, noise pickup, and noise coupled from the power supply. Commons should be connected to a single point to minimize interconnect resistances.

Figure 16: TC vs. ΔT Change from 25°C for 1 LSB Change



TEMPERATURE PERFORMANCE

The VRE3025 is designed for applications where the initial error at room temperature and drift over temperature are important to the user. For many instrument manufacturers, a voltage reference with a temperature coefficient less than 1 ppm/°C makes it possible to not have to perform a system temperature calibration, a slow and costly process.

Of the three TC specification methods (slope, butterfly, and box), the box method is commonly used. A box is formed by the min/max limits for the nominal output voltage over the operating temperature range. The equation follows:

$$TC = \frac{V_{MAX} - V_{MIN}}{V_{NOMINAL} \times (T_{MAX} - T_{MIN})} \times 10^6$$

This method corresponds more accurately to the method of test and provides a closer estimate of actual error than the other methods. The box method guarantees limits for the temperature error but does not specify the exact shape and slope of the device under test.

A designer who needs a 14-bit accurate data acquisition system over the industrial temperature range (-40°C to +85°C), will need a voltage reference with a temperature coefficient (TC) of 1.0 ppm/°C if the reference is allowed to contribute an error equivalent to 1LSB. For 1/2LSB equivalent error from the reference you would need a voltage reference with a temperature coefficient of 0.5 ppm/°C. Figure 16 shows the required reference TC vs. delta T change from 25°C for resolution ranging from 8 bits to 20 bits.

THERMAL HYSTERESIS

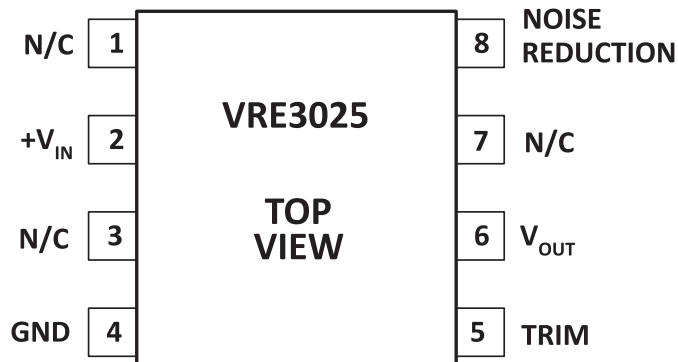
A difference in output voltage between the start of, and after the return from a temperature excursion. When references experience a temperature change and return to the initial temperature, they do not always have the same initial voltage. Thermal hysteresis is difficult to correct and is a major error source in systems that experience temperature changes greater than 25°C. Reference vendors are starting to include this important specification in their datasheets.

PERFORMANCE EVALUATION

Apex Microtechnology's voltage references are highly accurate devices. Evaluation of performance and/or meeting the specified accuracy in practice involves high-end measurement equipment, temperature chambers with inert gas to prevent condensation, shielded and battery-powered passband filters, careful board layout (star grounding at the right point), very stable noise reduction capacitors, and clean PCBs. Unthoughtful PCB layout, soldering flux residue, unstable capacitors, inaccurate DVMs, condensation, induced noise, amongst others, can adversely affect the VRE's accuracy.

PIN CONFIGURATION

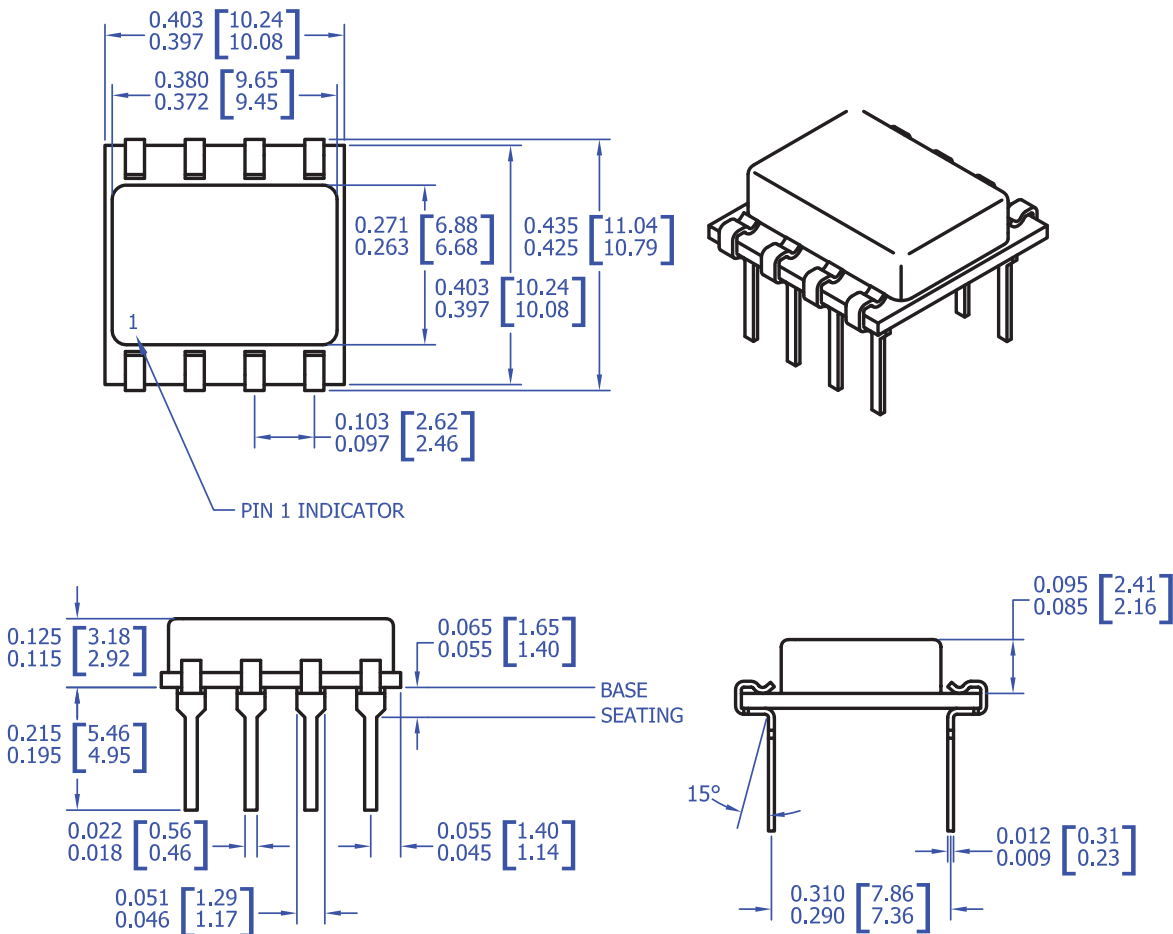
Figure 17: Pin Configuration



PACKAGE OPTIONS

Part Number	Apex Package Style	Description
VRE3025BD	KD	8-pin DIP
VRE3025BS	GF	8-pin Surface Mount DIP
VRE3025JS	GF	8-pin Surface Mount DIP
VRE3025LS	GF	8-pin Surface Mount DIP

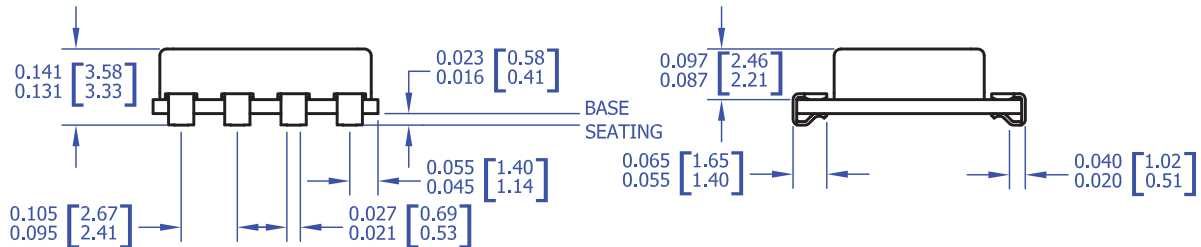
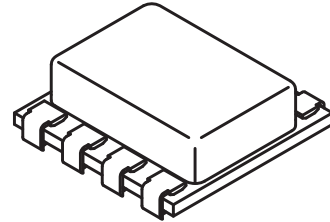
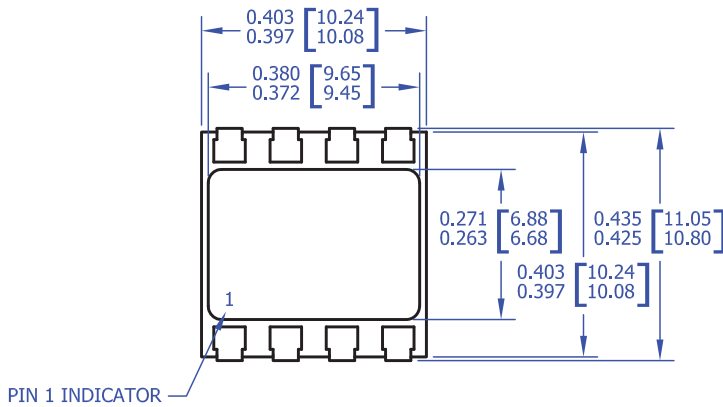
PACKAGE STYLE KD



NOTES:

1. Dimensions are inches & [millimeters].
2. Bracketed alternate units are for reference only.
3. Pins: Phosphor bronze, Sn/Ag 96/4 solder dipped.
4. Material: Alumina Ceramic substrate and cover.
5. Package weight: 0.028 oz. [0.785 g].
6. Epoxy sealed, non-hermetic package

PACKAGE STYLE GF



NOTES:

1. Dimensions are inches & [millimeters].
2. Bracketed alternate units are for reference only.
3. Pins: Nickel Iron, Tin over Nickel plated.
4. Material: Alumina Ceramic substrate and cover.
5. Package weight: 0.026 oz. [0.736 g].
6. Epoxy sealed, non-hermetic package

NEED TECHNICAL HELP? CONTACT APEX SUPPORT!

For all Apex Microtechnology product questions and inquiries, call toll free 800-546-2739 in North America. For inquiries via email, please contact apex.support@apexanalog.com. International customers can also request support by contacting their local Apex Microtechnology Sales Representative. To find the one nearest to you, go to www.apexanalog.com

IMPORTANT NOTICE

Apex Microtechnology, Inc. has made every effort to insure the accuracy of the content contained in this document. However, the information is subject to change without notice and is provided "AS IS" without warranty of any kind (expressed or implied). Apex Microtechnology reserves the right to make changes without further notice to any specifications or products mentioned herein to improve reliability. This document is the property of Apex Microtechnology and by furnishing this information, Apex Microtechnology grants no license, expressed or implied under any patents, mask work rights, copyrights, trademarks, trade secrets or other intellectual property rights. Apex Microtechnology owns the copyrights associated with the information contained herein and gives consent for copies to be made of the information only for use within your organization with respect to Apex Microtechnology integrated circuits or other products of Apex Microtechnology. This consent does not extend to other copying such as copying for general distribution, advertising or promotional purposes, or for creating any work for resale.

APEX MICROTECHNOLOGY PRODUCTS ARE NOT DESIGNED, AUTHORIZED OR WARRANTED TO BE SUITABLE FOR USE IN PRODUCTS USED FOR LIFE SUPPORT, AUTOMOTIVE SAFETY, SECURITY DEVICES, OR OTHER CRITICAL APPLICATIONS. PRODUCTS IN SUCH APPLICATIONS ARE UNDERSTOOD TO BE FULLY AT THE CUSTOMER OR THE CUSTOMER'S RISK.

Apex Microtechnology, Apex and Apex Precision Power are trademarks of Apex Microtechnology, Inc. All other corporate names noted herein may be trademarks of their respective holders.

X-ON Electronics

Largest Supplier of Electrical and Electronic Components

Click to view similar products for [Voltage References](#) category:

Click to view products by [Apex Microtechnology](#) manufacturer:

Other Similar products are found below :

[REF01J/883](#) [5962-8686103XC](#) [NCV431BVDMR2G](#) [LT6654AMPS6-2.048#TRMPBF](#) [SCV431AIDMR2G](#) [LT1019AIS8-2.5](#)
[LT6654AMPS6-3.3#TRM](#) [SC431ILPRAG](#) [AP432AQG-7](#) [LM4040B25QFTA](#) [NJM2823F-TE1](#) [TL431-A](#) [MCP1502T-18E/CHY](#) [MCP1502T-40E/CHY](#) [TL4050B25QDBZR](#) [TL431ACZ](#) [KA431SLMF2TF](#) [KA431SMF2TF](#) [KA431SMFTF](#) [LM4041C12ILPR](#) [LM4120AIM5-2.5/NOP](#)
[LM431SCCMFX](#) [TS3330AQPR](#) [REF5040MDREP](#) [LM285BXXM-1.2/NOPB](#) [LM385BM-2.5/NOPB](#) [LM4040BIM3-4.1](#) [LM4040CIM3-10.0](#)
[LM4040CIM3X-2.0/NOPB](#) [LM4041BSD-122GT3](#) [LM4041QDIM3-ADJ/NO](#) [LM4050QAEM3X4.1/NOPB](#) [LM4051BIM3-ADJ/NOPB](#)
[LM4051CIM3X-1.2/NOPB](#) [LM4132DMF-1.8/NOPB](#) [LM4132EMF-2.0/NOPB](#) [LM4140CCMX-1.2/NOPB](#) [LM431CIM](#) [LM385M-2.5/NOPB](#)
[LM4030AMF-4.096/NOPB](#) [LM4040D30ILPR](#) [LM4051CIM3X-ADJ/NOPB](#) [AP432YG-13](#) [AS431ANTR-G1](#) [AS431BZTR-E1](#) [AN431AN-ATRG1](#) [AP431IBNTR-G1](#) [AS431ARTR-G1](#) [AS431BNTR-G1](#) [TL431AIZ](#)