

SERIES

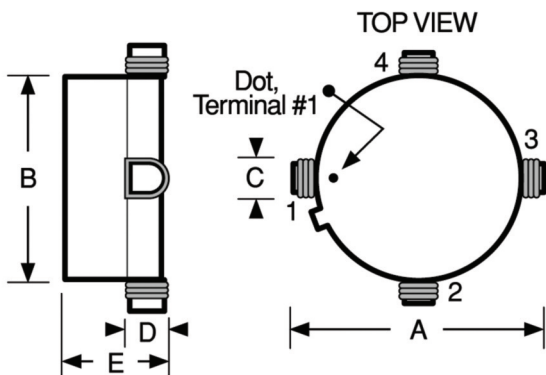
CM6296R CM6296



Transformers

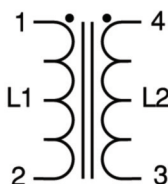
Common Mode Choke/Isolation Transformer

DASH NUMBER*
L1 or L2 INDUCTANCE
±25% (µH)
DC RESISTANCE
MAXIMUM (OHMS)
RATED RMS CURRENT
(AMPS) MAXIMUM
LEAKAGE INDUCTANCE
TYPICAL (µH)

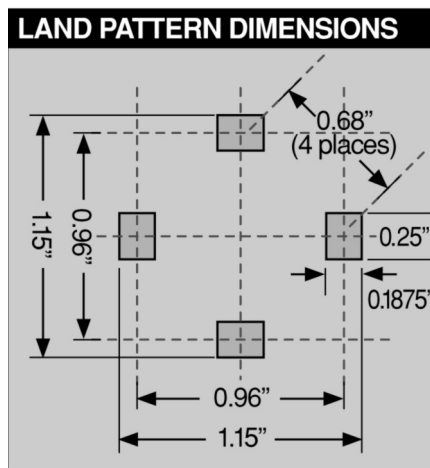


SERIES CM6296 FERRITE CORE				
-253	25	0.014	10.0	0.7
-503	50	0.014	10.0	0.8
-104	100	0.016	9.5	1.4
-154	150	0.016	9.5	1.8
-204	200	0.016	8.5	2.2
-304	300	0.020	7.5	3.3
-454	450	0.024	6.5	4.6
-654	650	0.030	5.5	6.2
-105	1000	0.050	3.5	9.3
-155	1500	0.090	2.5	14.5
-255	2500	0.162	2.2	21.8

*Complete part # must include series # PLUS the dash #



Actual Size



Physical Parameters

	Inches	Millimeters
A	1.058 ± 0.010	26.87 ± 0.25
B	0.870 ± 0.010	22.10 ± 0.25
C	0.210 Typ.	5.33 Typ.
D	0.200 Typ.	5.08 Typ.
E	0.430 Max.	10.74 Max.

Mechanical Configuration Flat top surface mount case with excellent coplanarity of terminals

Operating Temperature -55°C to +125°C

Configuration Two inductors per unit; internal terminals: #1 (start)-#2 (finish) & #4 (start) -#3 (finish)

Electrical Configuration

- 1) Inductance and DCR in table is for either L1 or L2
- 2) Leakage Inductance tested at L1 with L2 shorted or at L2 with L1 shorted.
- 3) Windings balanced within 2%
- 4) Inductance tested @ 1.0kHz

Rated RMS Current Per Winding Based Upon 20°C temperature rise from 25°C ambient

Maximum Power Dissipation at 25°C 2.5 Watts

Dielectric Withstanding Voltage

500 V RMS, 60Hz

Marking DELEVAN; part number, inductance with units. A white dot indicates the location of pin 1.

Example: CM6296R-155

DELEVAN
CM6296R-155
1500 µH

Packaging Bulk only

Weight (Grams) 9.0 (Ref.)



X-ON Electronics

Largest Supplier of Electrical and Electronic Components

Click to view similar products for [Common Mode Chokes / Filters](#) category:

Click to view products by [API Delevan](#) manufacturer:

Other Similar products are found below :

[74279408](#) [PE-62911NL](#) [PE-64683](#) [ST6118T-R](#) [T8114NLT](#) [RD5122-10-6M0](#) [TCM0806G-350-2P-T](#) [TCM0806G-650-2P-T](#) [IND-0110](#)
[UAL21V07012500](#) [UAL21VR0802000](#) [UAL24VR06500CH](#) [UALSC023000000](#) [UALSC1020JH000](#) [UALSC1520JH000](#)
[UALSU10VR20010](#) [UALSU16VD30030](#) [UALSU16VD40010](#) [UALSU9H0305000](#) [UALSU9HF060300](#) [UALSU9VD070100](#) [36-00037](#)
[5701610000](#) [UALW21HS072450](#) [UALSU9VD070400](#) [UALSU9HF050500](#) [UALSU9H0208000](#) [UALSCF25081300](#) [UAL24VK06450CH](#)
[PLT10HH501100PNB](#) [PLT10HH401100PNB](#) [PLT10HH1026R0PNB](#) [PE-67531](#) [EXC-X4CH120X](#) [TLH10UB 113 0R5](#) [2752041447](#)
[2752045447](#) [CMS3-11-R](#) [7351V](#) [CMF16-153131](#) [744252510](#) [T8116NLT](#) [FE2X10-4-2NL](#) [744253200](#) [744253101](#) [744252220](#) [TX8111NLT](#)
[UAL30VR3500470](#) [CTX01-19077-R](#) [T8003NLT](#)