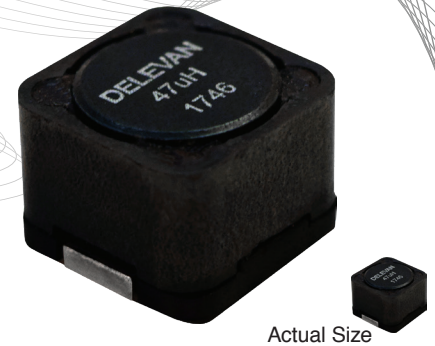


TESTING
LEVEL 1TEMPERATURE
RANGE: -55/+130

HRSPD127

Shielded Surface Mount Inductors High Reliability Applications



Features and Benefits

Built to meet the following environmental requirements:

- High-Frequency Vibration: MIL-STD-202, Method 204 Test Condition D.
- Mechanical Shock: MIL-STD-202, Method 213 Test Condition I.
- Thermal Shock: MIL-PRF-27, -55°C to +130°C, 25 Cycles.
- Solderability: MIL-STD-202, Method 208.
- Burn-In: 96 Hours at 130°C.
- Moisture Resistance: MIL-STD-202, Method 106.
- Double Cycle SnPb Reflow Profile: MIL-PRF-83446, Section 4.6.18.
- +/-15% and +/-10% tolerances are available upon request.

Parameters

Current Rating at 90°C Ambient 40°C Temp Rise Maximum

Maximum Ambient Temperature 90°C

Operating Temperature Range -55°C to +130°C

Part Storage Temperature Range -55°C to +125°C

Maximum Power Dissipation at 90°C 0.890 Watts Maximum

Inductance Measured at 1.0V AC at 100 kHz or 10 kHz

Weight/Mass 5.2 grams (0.18 ounces) Maximum

Packaging Tape and Reel (250 pieces max. / 13" reel)

Core Material / Termination Finish

Ferrite Core and Shield

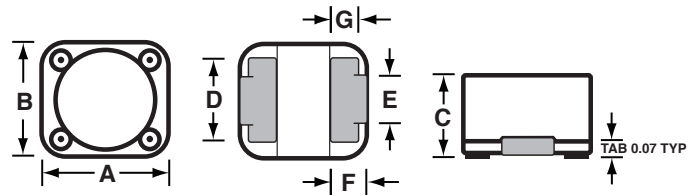
Sn 90 / Pb 10 Tinned Brass Leads

Testing Level 1

Electrical Characteristics L, DCR

Country of Origin: Mexico

Dimensions

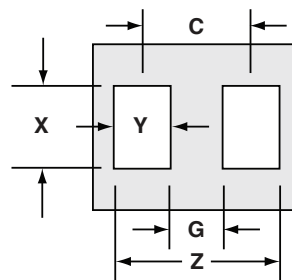


	Inches	Millimeters
A	0.475 ± 0.004	12.07 ± 0.10
B	0.475 ± 0.004	12.07 ± 0.10
C	0.355 maximum	9.02 maximum
D	0.340 ± 0.005	8.64 ± 0.13
E	0.175 ± 0.005	4.45 ± 0.13
F	0.130 ± 0.010	3.30 ± 0.25
G	0.110 ± 0.005	2.80 ± 0.13

Dimensions A and C are over terminals

Suggested Land Pattern

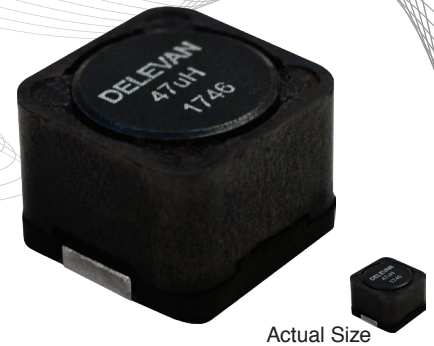
	Inches	Millimeters
Z	0.535	13.59
G	0.190	4.83
X	0.350	9.14
Y	0.173	4.39
C	0.363	9.22



TESTING
LEVEL 1TEMPERATURE
RANGE -55/+130

HRSPD127

Shielded Surface Mount Inductors
High Reliability Applications



FERRITE CORE

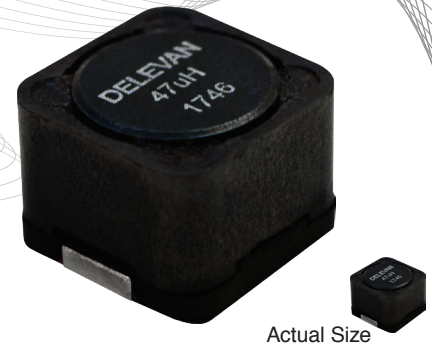
Part Number Prefix	Inductance (uH)	Percentage Tolerance (+/-)	Test Freq (kHz)	DCR Max (Ohms)	Incremental Current (AMPs)	Rated Current (Amps)
HRSPD127-222M	2.2	20	100	0.014	11.82	6.70
HRSPD127-332M	3.3	20	100	0.018	10.00	5.80
HRSPD127-472M	4.7	20	100	0.022	8.67	5.20
HRSPD127-682M	6.8	20	100	0.030	6.84	4.50
HRSPD127-103M	10	20	100	0.035	5.65	4.20
HRSPD127-123M	12	20	100	0.041	5.20	3.90
HRSPD127-153M	15	20	100	0.047	4.48	3.60
HRSPD127-183M	18	20	100	0.049	4.19	3.40
HRSPD127-223M	22	20	100	0.053	3.71	3.20
HRSPD127-273M	27	20	100	0.063	3.33	2.90
HRSPD127-333M	33	20	100	0.069	3.17	2.80
HRSPD127-393M	39	20	100	0.080	2.77	2.60
HRSPD127-473M	47	20	100	0.088	2.55	2.50
HRSPD127-563M	56	20	100	0.110	2.36	2.30
HRSPD127-683M	68	20	100	0.125	2.13	2.10
HRSPD127-823M	82	20	100	0.166	1.94	1.80
HRSPD127-104M	100	20	10	0.182	1.78	1.70
HRSPD127-124M	120	20	10	0.201	1.65	1.60
HRSPD127-154M	150	20	10	0.294	1.40	1.40
HRSPD127-184M	180	20	10	0.320	1.29	1.35
HRSPD127-224M	220	20	10	0.351	1.17	1.25
HRSPD127-274M	270	20	10	0.492	1.06	1.05
HRSPD127-334M	330	20	10	0.540	0.96	1.00
HRSPD127-394M	390	20	10	0.730	0.88	0.90
HRSPD127-474M	470	20	10	0.800	0.81	0.83
HRSPD127-564M	560	20	10	1.120	0.73	0.70
HRSPD127-684M	680	20	10	1.220	0.67	0.68
HRSPD127-824M	820	20	10	1.350	0.62	0.65
HRSPD127-105M	1000	20	10	1.860	0.55	0.55

Custom Inductance Values Available – Consult factory

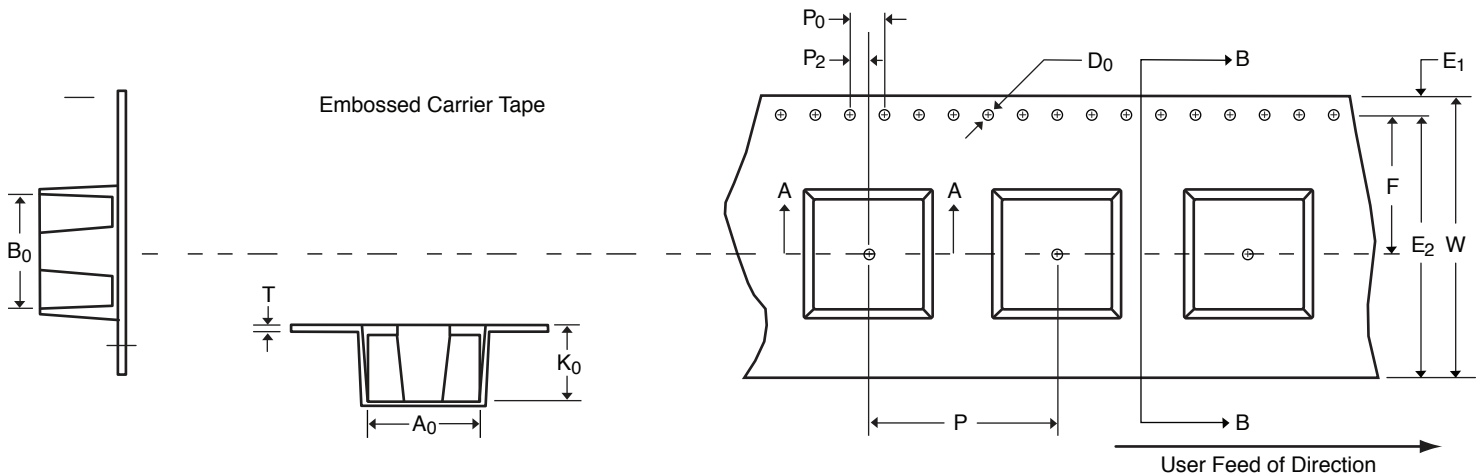


HRSPD127

Shielded Surface Mount Inductors
High Reliability Applications



Tape and Reel Specifications



Tape Dimensions (mm)

P	P ₀	P ₂	D ₀	F	E ₁	E ₂	W	B ₀	T	A ₀	K ₀
20.00	4.00	2.00	1.50	11.50	1.75	22.25	24.00	12.50	0.41	12.50	9.30

Individual Part Marking

DELEVAN, Inductance Value, Date Code (YYWWL).

Part Marking Example: HRSPD127-473M
DELEVAN
47uH
1746

How To Order

HRSPD127

—

473

M

Inductor Series

Dash Number

Tolerance

L = 15%
K = 10%

X-ON Electronics

Largest Supplier of Electrical and Electronic Components

Click to view similar products for [Fixed Inductors](#) category:

Click to view products by [API Delevan](#) manufacturer:

Other Similar products are found below :

[CR43NP-680KC](#) [CR54NP-820KC](#) [CR54NP-8R5MC](#) [CTX32CT-100](#) [70F224AI](#) [MGDQ4-00004-P](#) [MHL1ECTTP18NJ](#) [MHL1JCTTD12NJ](#)
[PE-51506NL](#) [PE-53601NL](#) [PE-53630NL](#) [PE-53824SNLT](#) [PE-62892NL](#) [PE-92100NL](#) [PG0434.801NLT](#) [PG0936.113NLT](#) [9310-16](#) [PM06-2N7](#) [PM06-39NJ](#) [A01TK](#) [1206CS-471XJ](#) [HC2-2R2TR](#) [HC2LP-R47-R](#) [HC3-2R2-R](#) [HCF1305-3R3-R](#) [1206CS-151XG](#) [RCH664NP-140L](#)
[RCH664NP-4R7M](#) [RCH8011NP-221L](#) [RCP1317NP-332L](#) [RCP1317NP-391L](#) [RCR1010NP-470M](#) [RCR110DNP-331L](#) [DH2280-4R7M](#)
[DS1608C-106](#) [ASPI-4020HI-R10M-T](#) [B10TJ](#) [B82477P4333M](#) [B82498B3101J000](#) [B82498B3680J000](#) [ELJ-RE27NJF2](#) [1812CS-153XJ](#)
[1812CS-183XJ](#) [1812CS-223XJ](#) [1812LS-104XJ](#) [1812LS-105XJ](#) [1812LS-124XJ](#) [1812LS-154XJ](#) [1812LS-223XJ](#) [1812LS-224XJ](#)