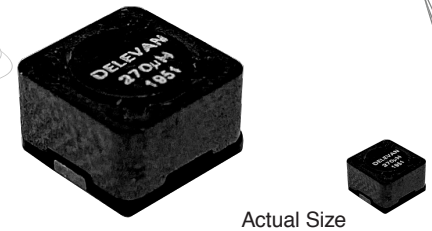




HRSPD74

Shielded Surface Mount Inductors High Reliability Applications



Actual Size

Features and Benefits

Built to meet the following environmental requirements:

- High-Frequency Vibration: MIL-STD-202, Method 204 Test Condition D.
- Mechanical Shock: MIL-STD-202, Method 213 Test Condition I.
- Thermal Shock: MIL-PRF-27, -55°C to +130°C, 25 Cycles.
- Solderability: MIL-STD-202, Method 208.
- Burn-In: 96 Hours at 130°C.
- Moisture Resistance: MIL-STD-202, Method 106.
- Double Cycle SnPb Reflow Profile: MIL-PRF-83446, Section 4.6.18.
- +/-15% and +/-10% tolerances are available upon request.

Parameters

Current Rating at 90°C Ambient 40°C Temp Rise Maximum

Maximum Ambient Temperature 90°C

Operating Temperature Range -55°C to +130°C

Part Storage Temperature Range -55°C to +125°C

Maximum Power Dissipation at 90°C 0.250 Watts Maximum

Inductance Measured at 1.0V AC at 100 kHz or 10 kHz

Weight/Mass 1.5 grams (0.053 ounces) Maximum

Packaging Tape and Reel (500 pieces max. / 13" reel)

Core Material / Termination Finish

Ferrite Core and Shield

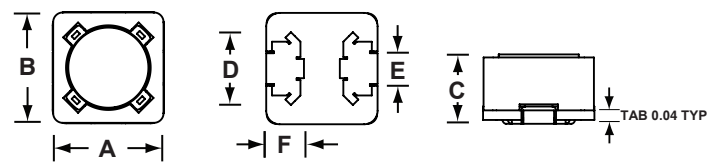
Sn 90 / Pb 10 Tinned Brass Leads

Testing Level 1

Electrical Characteristics L, DCR

Country of Origin: Mexico

Dimensions

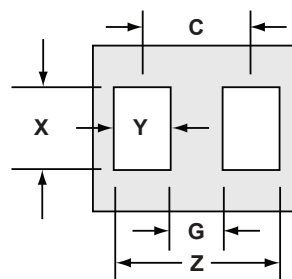


	Inches	Millimeters
A	0.290 ± 0.006	7.37 ± 0.15
B	0.290 ± 0.006	7.37 ± 0.15
C	0.198 maximum	5.03 maximum
D	0.190 ± 0.005	4.83 ± 0.13
E	0.080 ± 0.005	2.03 ± 0.13
F	0.100 ± 0.010	2.54 ± 0.25

Dimensions A and C are over terminals

Suggested Land Pattern

	Inches	Millimeters
Z	0.346	8.79
G	0.076	1.93
X	0.215	5.46
Y	0.135	3.43
C	0.211	5.36





HRSPD74

Shielded Surface Mount Inductors
High Reliability Applications



Actual Size

FERRITE CORE

Part Number Prefix	Inductance (uH)	Percentage Tolerance (+/-)	Test Freq (kHz)	DCR Max (Ohms)	Incremental (Saturation) Current (AMPs DC) 10% Decrease in Inductance (Typical)	Rated Current (Amps)
HRSPD74-122M	1.2	20	100	0.010	7.11	3.90
HRSPD74-242M	2.4	20	100	0.020	4.92	2.80
HRSPD74-352M	3.5	20	100	0.025	4.00	2.60
HRSPD74-472M	4.7	20	100	0.030	3.37	2.15
HRSPD74-682M	6.8	20	100	0.040	2.78	1.95
HRSPD74-103M	10	20	100	0.050	2.21	1.75
HRSPD74-123M	12	20	100	0.060	2.13	1.65
HRSPD74-153M	15	20	100	0.070	1.83	1.40
HRSPD74-183M	18	20	100	0.090	1.73	1.28
HRSPD74-223M	22	20	100	0.110	1.56	1.10
HRSPD74-273M	27	20	100	0.130	1.42	1.05
HRSPD74-333M	33	20	100	0.160	1.28	0.98
HRSPD74-393M	39	20	100	0.200	1.16	0.85
HRSPD74-473M	47	20	100	0.250	1.05	0.80
HRSPD74-563M	56	20	100	0.300	0.98	0.75
HRSPD74-683M	68	20	100	0.350	0.88	0.65
HRSPD74-823M	82	20	100	0.400	0.81	0.60
HRSPD74-104M	100	20	10	0.450	0.74	0.54
HRSPD74-124M	120	20	10	0.650	0.66	0.52
HRSPD74-154M	150	20	10	0.750	0.60	0.51
HRSPD74-184M	180	20	10	0.950	0.55	0.40
HRSPD74-224M	220	20	10	1.050	0.49	0.38
HRSPD74-274M	270	20	10	1.200	0.44	0.32
HRSPD74-334M	330	20	10	1.500	0.40	0.30
HRSPD74-394M	390	20	10	1.800	0.37	0.27
HRSPD74-474M	470	20	10	2.400	0.34	0.25
HRSPD74-564M	560	20	10	2.600	0.31	0.24
HRSPD74-684M	680	20	10	3.200	0.28	0.21
HRSPD74-824M	820	20	10	4.000	0.25	0.20
HRSPD74-105M	1000	20	10	5.000	0.23	0.17

Custom Inductance Values Available – Consult factory



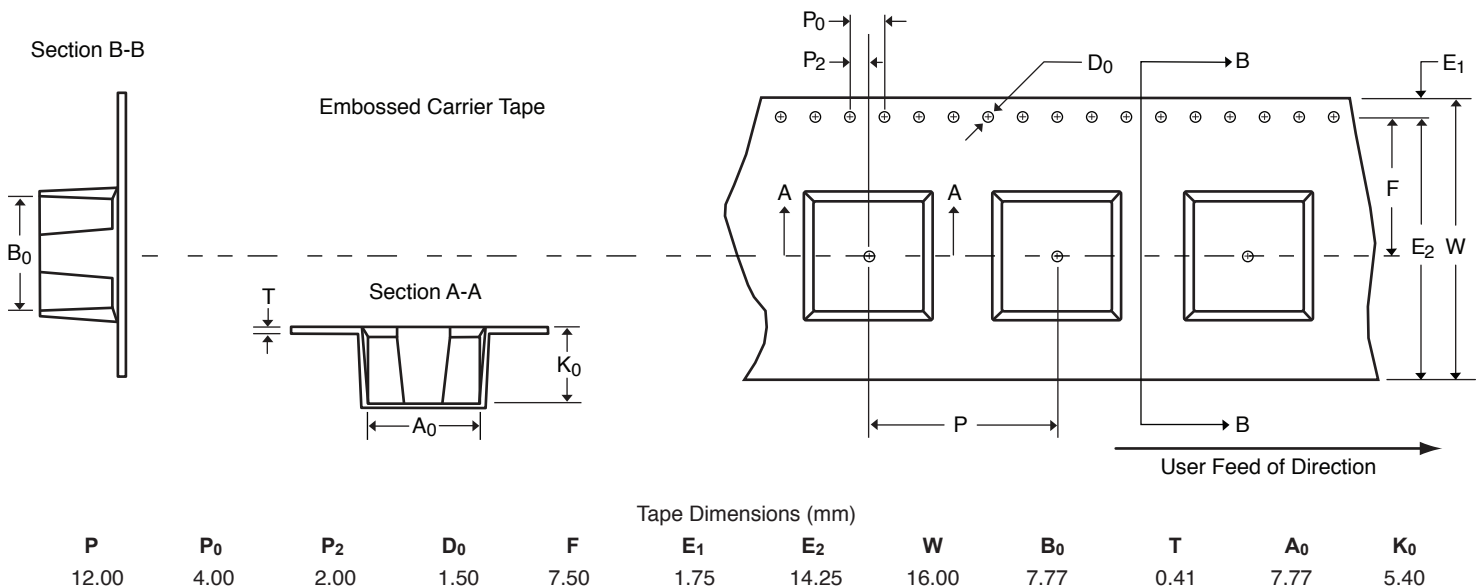
HRSPD74

Shielded Surface Mount Inductors
High Reliability Applications



Actual Size

Tape and Reel Specifications



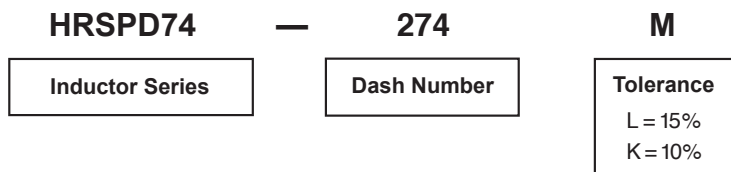
Individual Part Marking

DELEVAN, Inductance Value, Date Code (YYWWL).

Part Marking Example: HRSPD74-274M

DELEVAN
270uH
1951

How To Order



X-ON Electronics

Largest Supplier of Electrical and Electronic Components

Click to view similar products for [Fixed Inductors](#) category:

Click to view products by [API Delevan](#) manufacturer:

Other Similar products are found below :

[CR32NP-100KC](#) [CR43NP-680KC](#) [CR54NP-820KC](#) [CR54NP-8R5MC](#) [CTX32CT-100](#) [70F224AI](#) [MGDQ4-00004-P](#) [MHL1ECTTP18NJ](#)
[MHL1JCTTD12NJ](#) [PE-51506NL](#) [PE-53601NL](#) [PE-53602NL](#) [PE-53630NL](#) [PE-53824SNLT](#) [PE-62892NL](#) [PE-92100NL](#) [PG0434.801NLT](#)
[PG0936.113NLT](#) [9310-16](#) [PM06-2N7](#) [PM06-39NJ](#) [A01TK](#) [1206CS-471XJ](#) [HC2-2R2TR](#) [HC2LP-R47-R](#) [HC3-2R2-R](#) [HCF1305-3R3-R](#)
[1206CS-151XG](#) [RCH664NP-140L](#) [RCH664NP-4R7M](#) [RCH8011NP-221L](#) [RCP1317NP-332L](#) [RCP1317NP-391L](#) [RCR1010NP-470M](#)
[RCR110DNP-331L](#) [DH2280-4R7M](#) [DS1608C-106](#) [ASPI-4020HI-R10M-T](#) [B10TJ](#) [B82477P4333M](#) [B82498B3101J000](#) [B82498B3680J000](#)
[ELJ-RE27NJF2](#) [1812CS-153XJ](#) [1812CS-183XJ](#) [1812CS-223XJ](#) [1812LS-104XJ](#) [1812LS-105XJ](#) [1812LS-124XJ](#) [1812LS-154XJ](#)