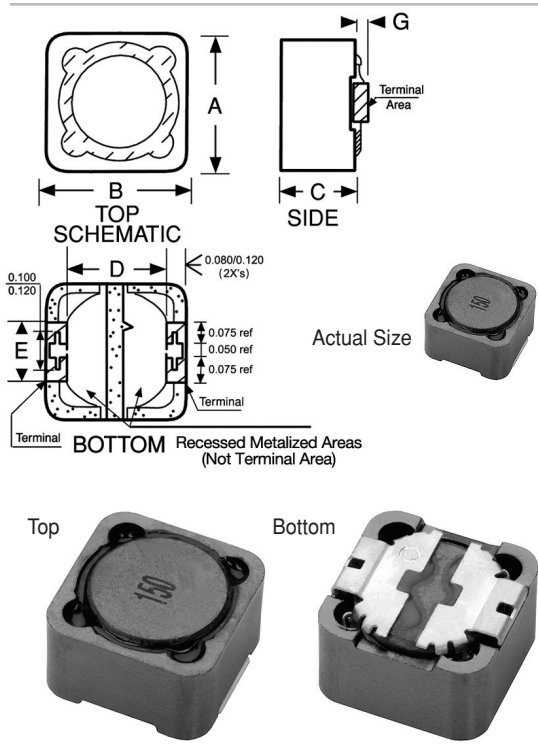




Shielded Surface Mount Inductors



Physical Parameters

	Inches	Millimeters
A	0.472 ± 0.032	12.0 ± 0.8
B	0.472 ± 0.032	12.0 ± 0.8
C	0.236 Max.	6.0 Max. (Series SPD125)
	0.315 Max.	8.0 Max. (Series SPD127)
D	0.300 ± 0.020	7.6 ± 0.5
E	0.198 ± 0.020	5.0 ± 0.5
F	0.086 ± 0.020	2.18 ± 0.5
G	0.015 Ref. only	0.38 Ref. only
H	0.075 Ref. only	1.91 Ref. only
I	0.198 Ref. only	5.03 Ref. only

Mechanical Configuration Units designed for surface mounting; ferrite core and ferrite sleeve

Operating temperature range -55°C to +125°C

Application Frequency Range
 Values 2.2µH to 10µH to 1.0 MHz Min.
 Values above 10µH to 300 kHz Min.

Current Rating at 25°C Ambient The maximum DC current that will cause a 40°C maximum temperature rise and where the inductance will not decrease by more than 10% from its zero DC value

Marking For values lower than 10 µH the R indicates a decimal point and the remaining digits indicate the inductance in µH. For values 10 µH and above, the first two digits indicate the inductance in µH and the third digit indicates the number of trailing zeros where a zero indicates that there are no trailing zeros.

Example: SPD125R-222M (2.2 µH)
2R2

Example: SPD127R-105M (1,000 µH)
102

Packaging Tape & reel (24mm):
13" reel, 500 pieces max.; 7" reel not available

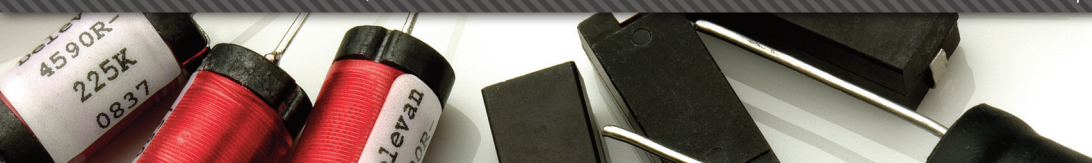
Note: No vias and traces in restricted area.

DASH NUMBER*	INDUCTANCE (µH) ±20%	TEST FREQUENCY (kHz)	DC RESISTANCE MAXIMUM (OHMS)	CURRENT RATING TYPICAL (AMPS)
--------------	----------------------	----------------------	------------------------------	-------------------------------

SERIES SPD125R FERRITE CORE & SLEEVE				
-222M	2.2	100	0.020	7.00
-332M	3.3	100	0.030	5.50
-472M	4.7	100	0.040	5.00
-682M	6.8	100	0.050	4.50
-103M	10	100	0.055	4.00
-123M	12	1.0	0.060	3.50
-153M	15	1.0	0.065	3.30
-183M	18	1.0	0.070	3.00
-223M	22	1.0	0.075	2.80
-273M	27	1.0	0.085	2.30
-333M	33	1.0	0.095	2.10
-393M	39	1.0	0.105	2.00
-473M	47	1.0	0.115	1.80
-563M	56	1.0	0.135	1.60
-683M	68	1.0	0.170	1.50
-823M	82	1.0	0.190	1.40
-104M	100	1.0	0.210	1.30
-124M	120	1.0	0.250	1.10
-154M	150	1.0	0.300	1.00
-184M	180	1.0	0.350	0.90
-224M	220	1.0	0.420	0.80
-274M	270	1.0	0.510	0.75
-334M	330	1.0	0.600	0.70
-394M	390	1.0	0.750	0.65
-474M	470	1.0	0.820	0.60
-564M	560	1.0	1.000	0.55
-684M	680	1.0	1.300	0.50
-824M	820	1.0	1.650	0.45
-105M	1000	1.0	2.000	0.40

SERIES SPD127R FERRITE CORE & SLEEVE				
-222M	2.2	100	0.015	8.50
-332M	3.3	100	0.018	7.50
-472M	4.7	100	0.022	6.80
-682M	6.8	100	0.030	6.20
-103M	10	100	0.040	5.40
-123M	12	1.0	0.045	4.90
-153M	15	1.0	0.048	4.50
-183M	18	1.0	0.052	3.90
-223M	22	1.0	0.055	3.60
-273M	27	1.0	0.060	3.40
-333M	33	1.0	0.065	3.00
-393M	39	1.0	0.080	2.80
-473M	47	1.0	0.100	2.50
-563M	56	1.0	0.120	2.30
-683M	68	1.0	0.140	2.10
-823M	82	1.0	0.170	1.90
-104M	100	1.0	0.220	1.70
-124M	120	1.0	0.250	1.60
-154M	150	1.0	0.320	1.40
-184M	180	1.0	0.360	1.30
-224M	220	1.0	0.390	1.20
-274M	270	1.0	0.520	1.10
-334M	330	1.0	0.620	1.00
-394M	390	1.0	0.750	0.90
-474M	470	1.0	0.980	0.80
-564M	560	1.0	1.150	0.75
-684M	680	1.0	1.220	0.70
-824M	820	1.0	1.400	0.65
-105M	1000	1.0	1.540	0.62

*Complete part # must include series # PLUS the dash #



X-ON Electronics

Largest Supplier of Electrical and Electronic Components

Click to view similar products for [Fixed Inductors](#) category:

Click to view products by [API Delevan](#) manufacturer:

Other Similar products are found below :

[CR43NP-680KC](#) [CR54NP-820KC](#) [CR54NP-8R5MC](#) [CTX32CT-100](#) [70F224AI](#) [MGDQ4-00004-P](#) [MHL1ECTTP18NJ](#) [MHL1JCTTD12NJ](#)
[PE-51506NL](#) [PE-53601NL](#) [PE-53602NL](#) [PE-53630NL](#) [PE-53824SNLT](#) [PE-62892NL](#) [PE-92100NL](#) [PG0434.801NLT](#) [PG0936.113NLT](#)
[9310-16](#) [PM06-2N7](#) [PM06-39NJ](#) [A01TK](#) [1206CS-471XJ](#) [HC2-2R2TR](#) [HC2LP-R47-R](#) [HC3-2R2-R](#) [HCF1305-3R3-R](#) [1206CS-151XG](#)
[RCH664NP-140L](#) [RCH664NP-4R7M](#) [RCH8011NP-221L](#) [RCP1317NP-332L](#) [RCP1317NP-391L](#) [RCR1010NP-470M](#) [RCR110DNP-331L](#)
[DH2280-4R7M](#) [DS1608C-106](#) [ASPI-4020HI-R10M-T](#) [B10TJ](#) [B82477P4333M](#) [B82498B3101J000](#) [B82498B3680J000](#) [ELJ-RE27NJF2](#)
[1812CS-153XJ](#) [1812CS-183XJ](#) [1812CS-223XJ](#) [1812LS-104XJ](#) [1812LS-105XJ](#) [1812LS-124XJ](#) [1812LS-154XJ](#) [1812LS-223XJ](#)