

Barrier Strip Filtered Terminal Blocks

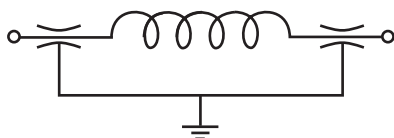
The barrier strip filtered terminal block is designed to provide excellent EMI/RFI filtering of AC and DC power lines and control lines. This terminal block is available in various sizes, with terminals for soldering or spade lugs. Application examples include filtering power supplies in telecommunications equipment, metering, industrial controls, instrumentation and EDP equipment.

Features

- UL recognized and CSA approved for DC voltages
- E133076, UL 1059
- LR92537, CSA STD 22.2 N°158-1987 and ECN584B
- Filter element provides high insertion loss for EMI/RFI filtering of AC and DC power and control lines
- Rugged construction provides protection to filtering element; especially useful for repeated changes in wiring or field connections
- 2 to 6 terminals available (combine if larger number of terminals needed)
- Cost-effective solution for industrial interconnection EMI filtering problems
- Termination options available: straight lead, male or female disconnects, pigtail (12 AWG = 0.081" (2.05mm); 22 AWG = 0.025" (0.64mm))
- Available in RoHS compliant versions

Circuit Schematic

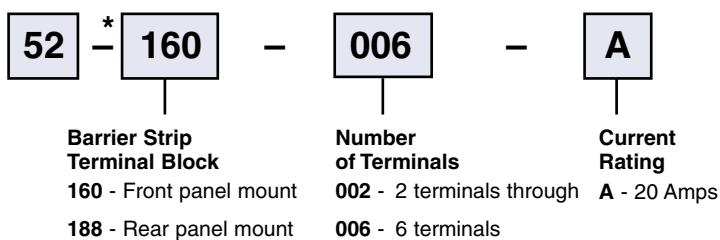
Pi Filter



Ordering Information

Example: **52-160-006-A AOO**

The part number shown represents a barrier strip terminal block with six terminals and rated for 20 Amps. Male disconnects (.250") are the method of termination.



For instructions on soldering to filter terminals, please refer to page FA4 in filter plate section.

* Replace "-" with "F" for RoHS complaint version



Mechanical Specifications

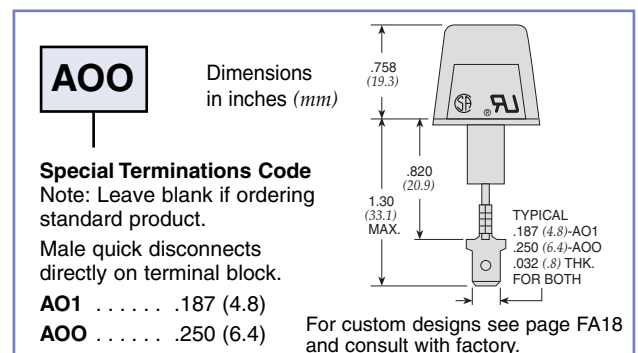
- Center Spacing438" (11.1 mm)
 Wire Size AWG #12 max for 20A
 Screw Size 20A - #6-32, zinc-plated phillslot screws
 Molded Material Black, UL rated 94VO thermoplastic
 Tightening Torque 9 in.-lbs. max.
 Terminal Brass, tin-plated

Electrical Specifications

- Operating Temperature . . . -55° C to 105° C
 Working Voltage 100VDC
 Capacitance 2,500 pF to 5,200 pF
 Dielectric
 Withstanding Voltage 1700VDC
 Current Rating 20A
 D.C. Resistance01 ohms max.

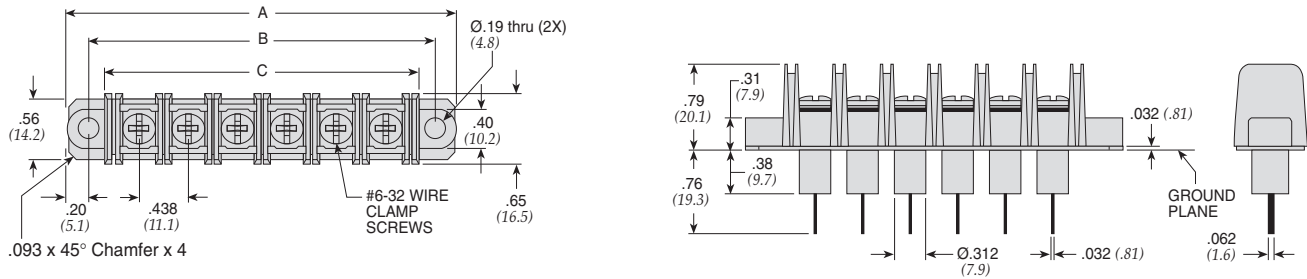
Typical Loss (dB) In 50 Ohm Circuit

| Frequency | Insertion Loss (dB) |
|-----------|---------------------|
| 30 MHz | 22 |
| 50 MHz | 32 |
| 100 MHz | 48 |
| 300 MHz | 70 |
| 500 MHz | 75 |
| 1000 MHz | 75 |



Barrier Strip Filtered Terminal Blocks

Front panel mount



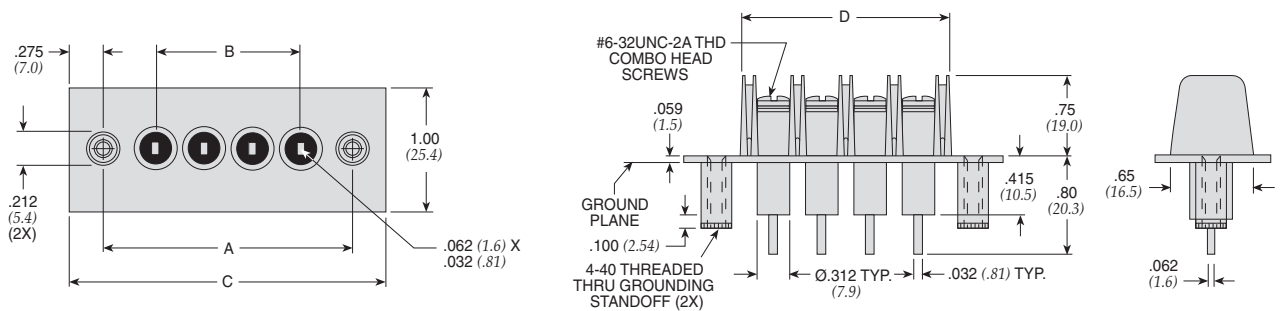
20 Amps

Dimensions in inches (mm)

| Part Number | Number of Circuits | in. A (mm) | in. B (mm) | in. C (mm) |
|----------------|--------------------|-------------|-------------|-------------|
| € 52-160-002-A | 2 | 1.71 (43.4) | 1.31 (33.3) | 1.02 (25.9) |
| 52-160-003-A | 3 | 2.15 (54.6) | 1.75 (44.5) | 1.46 (37.1) |
| 52-160-004-A | 4 | 2.59 (65.8) | 2.19 (55.6) | 1.90 (48.3) |
| 52-160-005-A | 5 | 3.02 (76.7) | 2.62 (66.5) | 2.32 (58.9) |
| 52-160-006-A | 6 | 3.46 (87.9) | 3.06 (77.7) | 2.77 (70.4) |

€ Also available through API's authorized European distributors/agents.

Rear panel mount



20 Amps

Dimensions in inches (mm)

| Part Number | Number of Circuits | in. A (mm) | in. B (mm) | in. C (mm) | in. D (mm) |
|--------------|--------------------|-------------|--------------|-------------|-------------|
| 52-188-002-A | 2 | 1.31 (33.3) | .438 (11.1) | 1.86 (47.3) | 1.02 (25.9) |
| 52-188-003-A | 3 | 1.75 (44.4) | .875 (22.2) | 2.30 (58.4) | 1.46 (37.1) |
| 52-188-004-A | 4 | 2.19 (55.6) | 1.313 (33.3) | 2.74 (69.5) | 1.90 (48.3) |
| 52-188-005-A | 5 | 2.62 (66.6) | 1.750 (44.4) | 3.17 (80.6) | 2.32 (58.9) |
| 52-188-006-A | 6 | 3.06 (77.7) | 2.188 (55.6) | 3.61 (91.7) | 2.77 (70.4) |

250 Volt AC Rated Filtered Terminal Blocks

API Technologies' Spectrum Control line of filtered terminal block provides superior EMI/RFI filtering of AC power and control lines. This terminal block is available in various sizes, with terminals for soldering, spade lugs, or wire pigtails. Termination options available: straight lead male or female disconnects, or wire pigtails in lengths to your specification.

Features

- UL recognized and CSA approved for AC voltages.
- E133076, UL 1059.
- LR92537, CSA STD 22.2 N°158-1987 and ECN584B.
- Termination options available: straight lead, male or female disconnects, pigtail (12 AWG-22 AWG).



Applications

- Metering equipment
- Programmable controllers
- Industrial process control
- Heavy equipment controls
- Power supplies
- Regulators
- Surge sensing equipment
- Power factor correction
- Telecommunications power management, ATM, Sonet, etc.
- Medical equipment

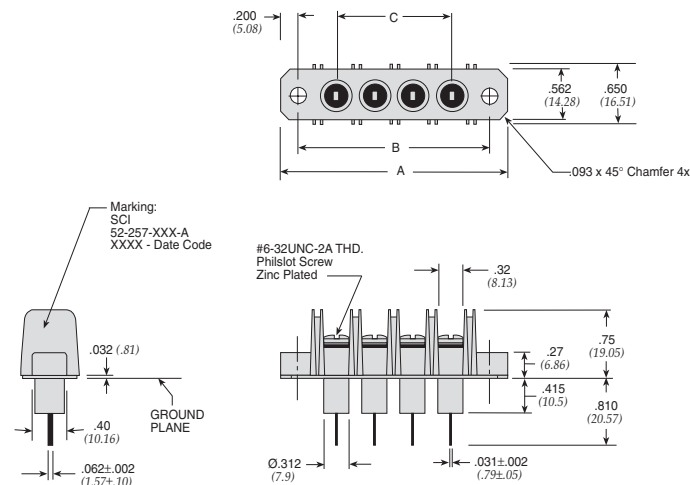
Specifications

ELECTRICAL

- Operating Temperature:* -55° C to +105° C
Voltage Rating: 250VAC
Current Rating: 20 Amps
Wire Range: 12-22AWG
Torque: 9 lb-in.
Capacitance: 2000pF to 5200pF
Dielectric Withstanding Voltage: 1500VAC @ 25° C

MECHANICAL

- Center Spacing:* .438" (11.1 mm)
Wire Size: AWG #12 max. for 20 Amp
Screw Size: 20A - #6-32, zinc plated philslot
Molded Material: UL rated 94VO polyamide
Tightening Torque: 9 in.-lbs. max.
Terminal Options: straight lead, male or female disconnects, pigtail



| Part Number | Number of Circuits | in. A (mm) | in. B (mm) | in. C (mm) |
|-------------|--------------------|-------------|-------------|-------------|
| 52-257-002 | 2 | 1.71 (43.4) | 1.31 (33.3) | 1.02 (25.9) |
| 52-257-003 | 3 | 2.15 (54.6) | 1.75 (44.5) | 1.46 (37.1) |
| 52-257-004 | 4 | 2.59 (65.8) | 2.19 (55.6) | 1.90 (48.3) |
| 52-257-005 | 5 | 3.02 (76.7) | 2.62 (66.5) | 2.32 (58.9) |
| 52-257-006 | 6 | 3.46 (87.9) | 3.06 (77.7) | 2.77 (70.4) |

Dimensions in inches (mm)

X-ON Electronics

Largest Supplier of Electrical and Electronic Components

Click to view similar products for [Barrier Terminal Blocks](#) category:

Click to view products by [Api Technologies](#) manufacturer:

Other Similar products are found below :

[CR151D20104](#) [670A-RZ-15-KT20](#) [6C1N03](#) [6PCR-02](#) [6PCR-02-008](#) [6PCR-05-008](#) [6PCR-08-008](#) [6PCR-09-008](#) [6PCR-13-006](#) [6PCR-15-006](#) [6PCR-21-006](#) [6PCV-06-008](#) [6PCV-06-716](#) [6PCV-09-001](#) [6PCV-10-009](#) [6PCV-15-008](#) [6PCV-17-1206](#) [6PCV-20-323](#) [6PCV-20-720](#) [6PCV-30-006](#) [6STR-06-006](#) [6STR-08-006](#) [6STR-12-008](#) [6STR-13-006](#) [6STR-14-008](#) [6STR-16-008](#) [6STR-17-008](#) [6STR-21-008](#) [6STR-25-008](#) [6STR-27-008](#) [6STV-03-006](#) [6STV-03-008](#) [6STV-04-006](#) [6STV-09-006](#) [6STV-10-006](#) [6WWR-03-693](#) [6WWV-12-008](#) [72212603](#) [72504-C-50](#) [72506-C](#) [72507-C-50](#) [73203](#) [75505-C](#) [75505-C-50](#) [75510-C](#) [77010-50](#) [7C1N08](#) [812-GP-3/4ST-09](#) [8-1437402-5](#) [8-1437402-7](#)