

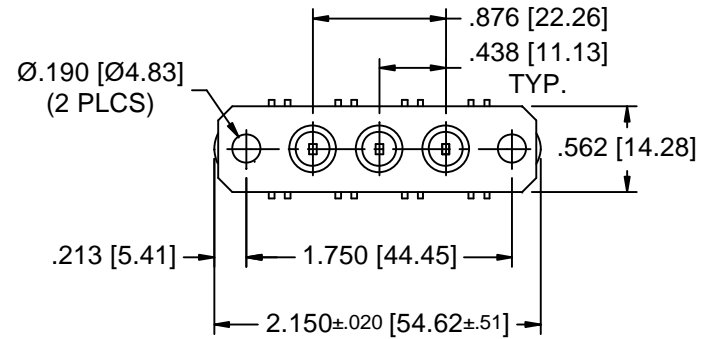
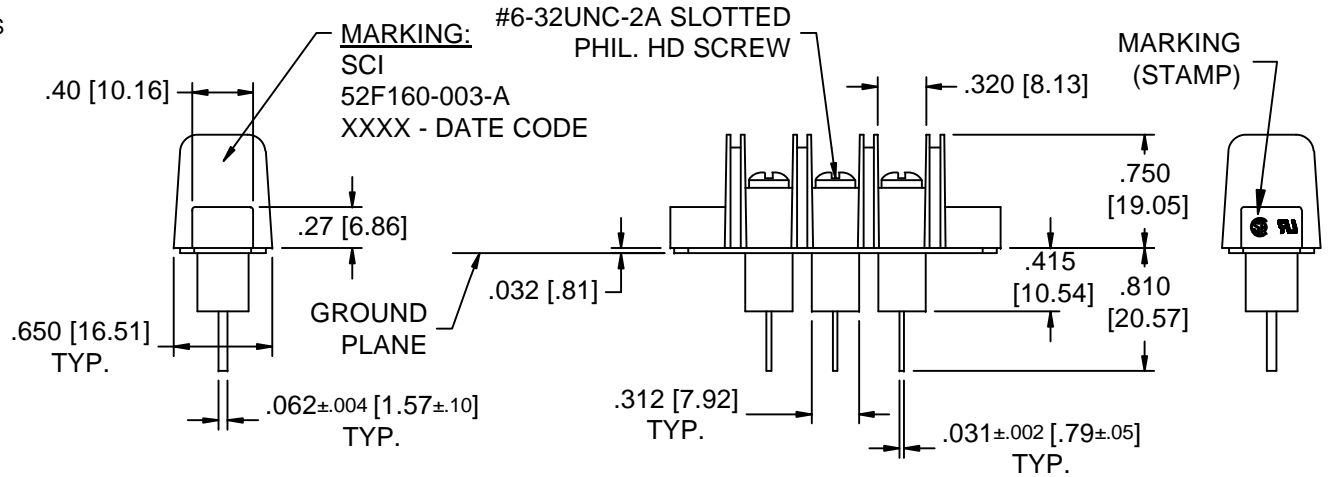
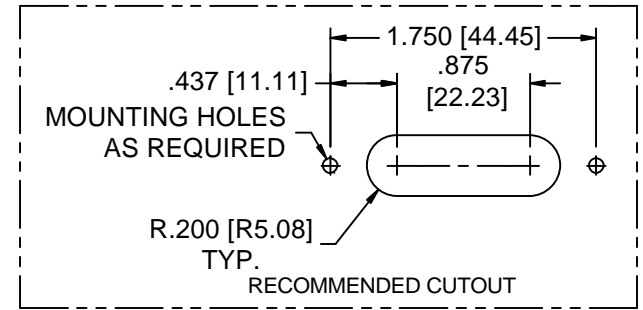
**NOTES:**

- 1) DRAWINGS IN ACCORDANCE WITH STANDARD ANSI Y14.5M-1994.
- 2) UNTOLERANCED DIMENSIONS LOCATING TRUE POSITION ARE BASIC.
- 3) THIS DOCUMENT CONTAINS PROPRIETARY INFORMATION AND IS COPYRIGHTED. EXCEPT WITH THE WRITTEN PERMISSION OF SPECTRUM CONTROL, INC. OR ITS SUBSIDIARIES, SUCH INFORMATION SHALL NOT BE PUBLISHED OR DISCLOSED TO OTHERS OR USED FOR ANY PURPOSE AND THIS DOCUMENT SHALL NOT BE DUPLICATED IN WHOLE OR IN PART.
- 4) USE OF HEXAVALENT CHROMIUM, MERCURY, LEAD, CADMIUM, ASBESTOS, PCT, PCB, PBB, PBBE, PBDE, IS PROHIBITED IN THE MANUFACTURE OR COMPOSITION OF THIS MATERIAL AS OUTLINED IN THE INTERNATIONAL RoHS DIRECTIVE.
- 5) MATERIAL: BLACK THERMOPLASTIC OR EQUIV.
- 6) SCREW TYPE: #6-32 PHILLIPPS SLOTTED HEAD.
- 7) MARKING: 4 PT. CHARACTERS, WHITE INK.
- 8) GROUND PLANE IS TO BE FLAT WITHIN .012".
- 9) SHIPPING TRAY LABEL MARKING:

SCI 52F160-003-A DATE CODE  
 100V, 20A, 12-22AWG  
 UL & CSA LOGOS

**ELECTRICAL PARAMETERS:**

- 1) VOLTAGE: 100 VDC
- 2) CURRENT: 20 AMPS
- 3) OPERATING TEMPERATURE: -55°C TO +105°C
- 4) CAPACITANCE: 2500pF MIN./ 5200pF MAX.



STEP	TESTING	CAP. / D.F.	PASS	FAIL
STEP 0100	TESTING	CAP. / D.F.	PASS	FAIL
PER IT 38-0245		OPER:		
CAP: 2500pF TO 5200pF				
DF: ≤4% MAX.				
COMMENTS: ALL				
STEP 0200	TESTING	DWV	PASS	FAIL
PER IT 38-0245		OPER:		
DWV: 2000 VDC, 25°C				
1 MINUTE MINIMUM				
COMMENTS: 100%				
STEP 0300	TESTING	I.R.	PASS	FAIL
PER IT 38-0245		OPER:		
IR: 100 VDC, 1000 MOHMS MIN.				
2 MINUTES MAX.				
COMMENTS: 100%				
STEP 0400	INSPECTION	VISUAL/MECH.	PASS	FAIL
PER IT 38-0468		OPER:		
PER MIL-STD-105, LEVEL II, 1% AQL				
COMMENTS:				

REV	NO.	DESCRIPTION
05		
04		
03		
02		
01		
00		

UNLESS OTHERWISE SPECIFIED DIMENSIONS ARE IN INCHES [ MILLIMETERS ] DO NOT SCALE	TOLERANCES UNLESS OTHERWISE SPECIFIED	
	Dec. .xx ± .x	
	Dec. .xxx ± .020 [ .51 ]	
	Angles ± 0° 30'	
THIRD ANGLE PROJECTION	CODE IDENT. NO. 0LSP2	
		Dwn. Hassett Date 4-14-15 Engr. McAlevy Sheet 1 of 1
		Description FILTER TERMINAL BLOCK 52F160-003-A

INSPECT DIMENSIONS AND WORKMANSHIP

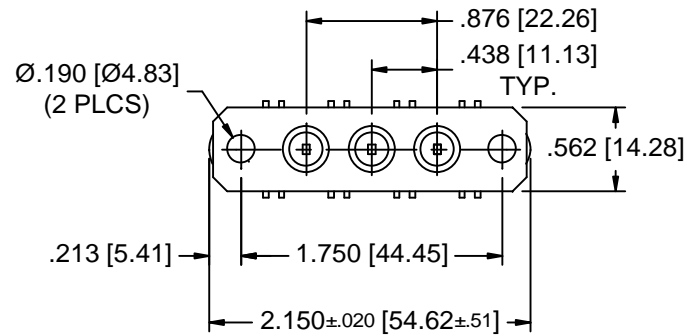
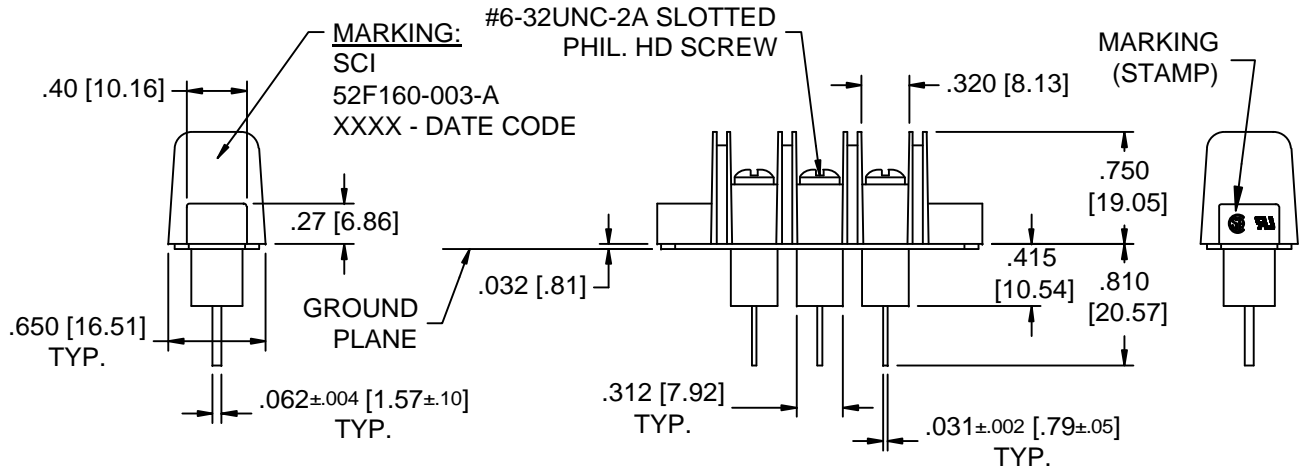
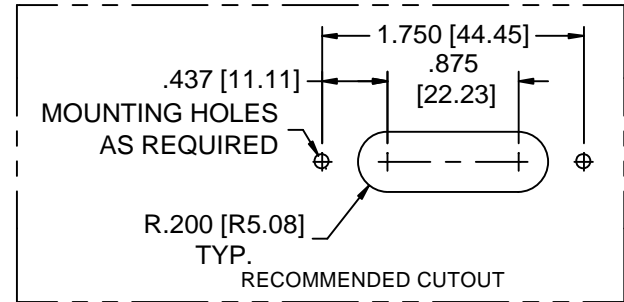
**NOTES:**

- 1) DRAWINGS IN ACCORDANCE WITH STANDARD ANSI Y14.5M-1994.
- 2) UNTOLERANCED DIMENSIONS LOCATING TRUE POSITION ARE BASIC.
- 3) THIS DOCUMENT CONTAINS PROPRIETARY INFORMATION AND IS COPYRIGHTED. EXCEPT WITH THE WRITTEN PERMISSION OF SPECTRUM CONTROL, INC. OR ITS SUBSIDIARIES, SUCH INFORMATION SHALL NOT BE PUBLISHED OR DISCLOSED TO OTHERS OR USED FOR ANY PURPOSE AND THIS DOCUMENT SHALL NOT BE DUPLICATED IN WHOLE OR IN PART.
- 4) USE OF HEXAVALENT CHROMIUM, MERCURY, LEAD, CADMIUM, ASBESTOS, PCT, PCB, PBB, PBBE, PBDE, IS PROHIBITED IN THE MANUFACTURE OR COMPOSITION OF THIS MATERIAL AS OUTLINED IN THE INTERNATIONAL RoHS DIRECTIVE.
- 5) MATERIAL: BLACK THERMOPLASTIC OR EQUIV.
- 6) SCREW TYPE: #6-32 PHILLIPPS SLOTTED HEAD.
- 7) MARKING: 4 PT. CHARACTERS, WHITE INK.
- 8) GROUND PLANE IS TO BE FLAT WITHIN .012".
- 9) SHIPPING TRAY LABEL MARKING:

SCI 52F160-003-A DATE CODE  
100V, 20A, 12-22AWG  
UL & CSA LOGOS

**ELECTRICAL PARAMETERS:**

- 1) VOLTAGE: 100 VDC
- 2) CURRENT: 20 AMPS
- 3) OPERATING TEMPERATURE: -55°C TO +105°C
- 4) CAPACITANCE: 2500pF MIN./ 5200pF MAX.



STEP	TESTING	CAP. / D.F.	PASS	FAIL
STEP 0100	TESTING	CAP. / D.F.	PASS	FAIL
PER IT 38-0245		OPER:		
CAP: 2500pF TO 5200pF				
DF: ≤4% MAX.				
COMMENTS: ALL				
STEP 0200	TESTING	DWV	PASS	FAIL
PER IT 38-0245		OPER:		
DWV: 2000 VDC, 25°C				
1 MINUTE MINIMUM				
COMMENTS: 100%				
STEP 0300	TESTING	I.R.	PASS	FAIL
PER IT 38-0245		OPER:		
IR: 100 VDC, 1000 MOHMS MIN.				
2 MINUTES MAX.				
COMMENTS: 100%				
STEP 0400	INSPECTION	VISUAL/MECH.	PASS	FAIL
PER IT 38-0468		OPER:		
PER MIL-STD-105, LEVEL II, 1% AQL				
COMMENTS:				

05	04	03	02	01	00	REV NO.
CN #12452	CN 46317-ENG	CN 31006-CPD	CN 28006-CPD	CN 26786-CPD	CN 20833-CPD	CHANGE NOTICE

UNLESS OTHERWISE SPECIFIED DIMENSIONS ARE IN INCHES [ MILLIMETERS ]  
DO NOT SCALE  
THIRD ANGLE PROJECTION

TOLERANCES UNLESS OTHERWISE SPECIFIED Dec. .x ± .x Dec. .xx ± .03 [.76] Dec. .xxx ± .020 [.51] Angles ± 0° 30°	api technologies corp. Dwn. Hassett Date 4-14-15 Engr. McAlevy Sheet 1 of 1	FAIRVIEW PENNSYLVANIA Description FILTER TERMINAL BLOCK CODE IDENT. NO. 0LSP2 52F160-003-A
--	---	---

INSPECT DIMENSIONS AND WORKMANSHIP

Quality Products From The Specialists In Electro-Magnetic Compatibility



## X-ON Electronics

Largest Supplier of Electrical and Electronic Components

*Click to view similar products for [Barrier Terminal Blocks](#) category:*

*Click to view products by [Api Technologies](#) manufacturer:*

Other Similar products are found below :

[CR151D20104](#) [670A-RZ-15-KT20](#) [6C1N03](#) [6PCR-02](#) [6PCR-02-008](#) [6PCR-05-008](#) [6PCR-08-008](#) [6PCR-09-008](#) [6PCR-13-006](#) [6PCR-15-006](#) [6PCR-21-006](#) [6PCV-06-008](#) [6PCV-06-716](#) [6PCV-09-001](#) [6PCV-10-009](#) [6PCV-15-008](#) [6PCV-17-1206](#) [6PCV-20-323](#) [6PCV-20-720](#) [6PCV-30-006](#) [6STR-06-006](#) [6STR-08-006](#) [6STR-12-008](#) [6STR-13-006](#) [6STR-14-008](#) [6STR-16-008](#) [6STR-17-008](#) [6STR-21-008](#) [6STR-25-008](#) [6STR-27-008](#) [6STV-03-006](#) [6STV-03-008](#) [6STV-04-006](#) [6STV-09-006](#) [6STV-10-006](#) [6WWR-03-693](#) [6WWV-12-008](#) [72212603](#) [72504-C-50](#) [72506-C](#) [72507-C-50](#) [73203](#) [75505-C](#) [75505-C-50](#) [75510-C](#) [77010-50](#) [7C1N08](#) [812-GP-3/4ST-09](#) [8-1437402-5](#) [8PCR-06-006](#)