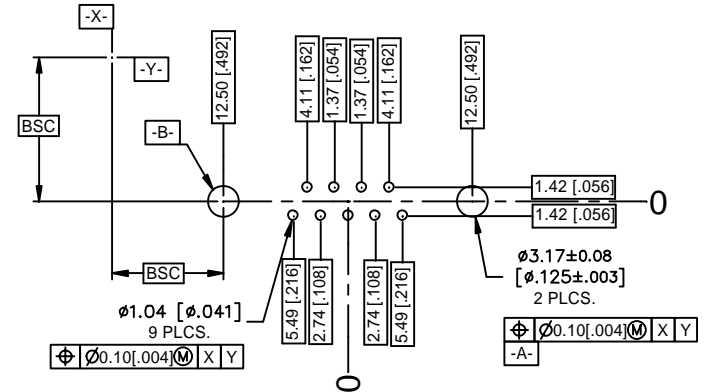


NOTES:

1. MATERIAL
 HOUSING : PBT, GLASS FILLED, UL RATED 94V-0, BLACK
 FRONT SHELL: CARBON STEEL
 CONTACTS, BOARDLOCKS AND INSERTS: BRASS
2. FINISH
 FRONT SHELL: TIN PLATED.
 CONTACTS: GOLD FLASH IN MATING AREA OVER 2.54 um [.000100] MIN NICKEL ON ENTIRE CONTACT AREA.
 TIN PLATING ON SOLDER TAILS,
 BOARDLOCKS AND INSERTS: TIN PLATED
3. ELECTRICAL SPECIFICATION:
 17-30 OHMS AT 30 MHz. TYP.
 22-37 OHMS AT 50 MHz. TYP.
 29-40 OHMS AT 100 MHz. TYP.
4. SCI, 56F402-001 AND DATE CODE MARKED ON THIS SURFACE.




P.C. BOARD MOUNTING DIMENSIONS



																			03	02	01	00	REV. NO.
																			CN 34787-CPD	CN 30315-CPD	CN 29381-CPD	CN 17537-CPD	CHANGE NOTICE

UNLESS OTHERWISE SPECIFIED
 DIMENSIONS ARE IN MILLIMETERS.
 [INCHES]
 DO NOT SCALE.
 THIRD ANGLE PROJECTION

TOLERANCES UNLESS OTHERWISE SPECIFIED
 Dec. .x ± 0.3 [.012]
 Dec. .xx ± 0.13 [.005]
 Dec. .xxx ±
 Angles ±
 CODE IDENT. NO. 0LSP2


 Dwn. P. Wells
 Date 05-15-07
 Engr. D. Henry
 Sheet 1 of 1

FAIRVIEW PENNSYLVANIA
 PLUG ASSEMBLY
 9 POSITION, RIGHT ANGLE
 56F402-001

X-ON Electronics

Largest Supplier of Electrical and Electronic Components

Click to view similar products for [D-Sub Standard Connectors](#) category:

Click to view products by [Api Technologies](#) manufacturer:

Other Similar products are found below :

[56F711-015](#) [012-9507-004](#) [LV242999-142T12](#) [015-0341-000](#) [015-0372-005](#) [015-0372-008](#) [015-8755-001](#) [020419-0104](#) [012-0467-000](#) [012-0515-000](#) [012-9507-034](#) [012-9507-114](#) [020745-0008](#) [609-25P](#) [M24308/2-23Z](#) [CT2-14S-2PCA34](#) [CT2-18-11PCAU](#) [CT2-36-15SC](#) [CT6-10SL-3SC](#) [CT6-10SL-4SC](#) [CT6-14S-2SC](#) [CT6E14SA7SC](#) [M83513/01-FC](#) [M83723/76W24619 L/C](#) [M85049/48-3-2F](#) [6STD09PCM99B70X](#) [6STD09SCM99B30X](#) [6STD09SCT99S40X](#) [6STD15PCT99S40X](#) [6STD15SCM99B30X](#) [6STD15SCT99S40X](#) [6STF09PCM05B70X](#) [7-135760-9](#) [MC11E-10-6SN](#) [747552-3](#) [MD1-21PS](#) [MDM-15SCBRM7-F222](#) [MDM96517-699](#) [MDM96521-744](#) [MDVB1-21SL1](#) [MIK0-1-7SH003](#) [MIKQ6-7SH076](#) [MIKQ7-7PH077](#) [MIKQ7-7PH11](#) [MIKQ7-7PH32](#) [MJSV-28SL61](#) [MKJ4A1F14-55S](#) [8-135760-3](#) [8STD09PCM99B30X](#) [PG-KV/PV-16-GROM-SEALING](#)