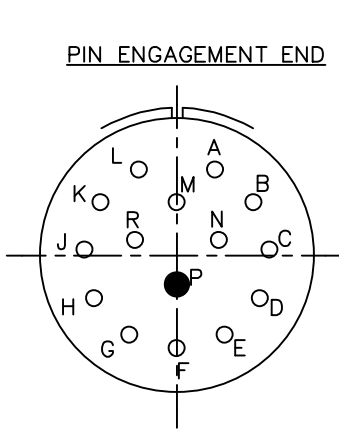
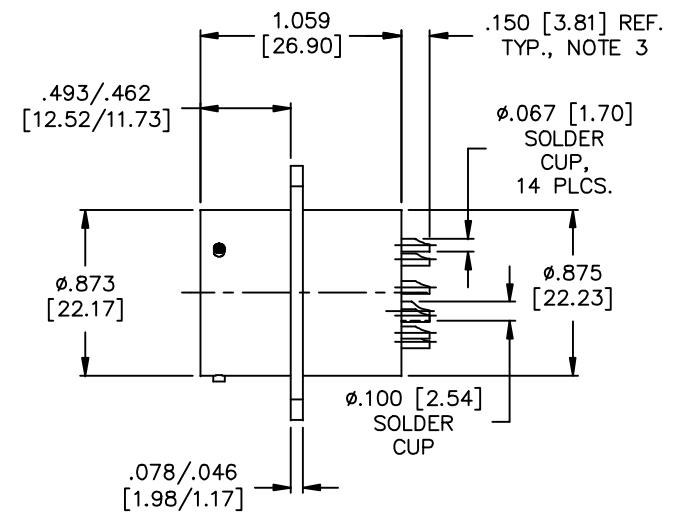
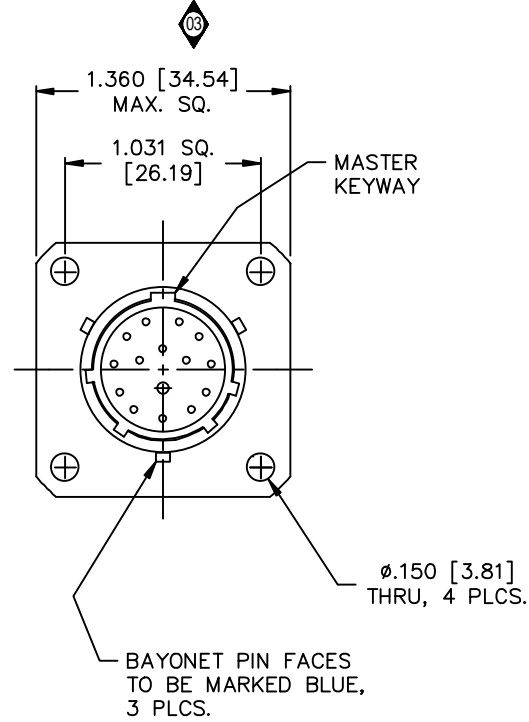


CONN SIZE	FILTER DESIGNATION	FILTER CIRCUITS	CAPACITANCE		EIA T.C.	DIELECTRIC WITHSTANDING VOLTAGE	IR @ WVDC	CURRENT RATING	CONTACT SIZE	WORKING VOLTAGE DC -55°C TO +125°C	MINIMUM INSERTION LOSS-DECIBELS (dB) NO LOAD, PER MIL-STD-220, +25°C					KEYWAY POLARIZATION
			VALUE	RANGE							1 MHz	10 MHz	100 MHz	500 MHz	1 GHz	
14		○	18nF	26nF 10nF	X7R	250VDC	1 G OHM	7.5A MAX.	20	100V	4	27	69	80	80	N
		●	18nF	26nF 10nF	X7R	250VDC	1 G OHM	13A MAX.	16	100V	4	27	69	80	80	



ENGAGEMENT VIEW  
14-15 INSERT  
CONFIGURATION PER  
MIL-STD-1669  
14 #20 PIN CONTACTS,  
1 #16 PIN CONTACT,  
THIS SIDE



- NOTES:
- MATERIAL:
    - A) SHELL: ALUMINUM, OLIVE DRAB CADMIUM.
    - FRONT RESILIENT SEAL: SILICONE OR FLUOROSILICONE
    - INTERNAL PLASTIC INSERTS: RIGID DIELECTRIC
    - B) CONTACTS: COPPER ALLOY, GOLD PLATED
  - MATEABILITY IAW: MS3472W14-15PN
  - TERMINAL HEIGHTS NOT TO VARY MORE THAN .020" WITH EACH OTHER.
  - MARKING: a) 9CG4W1415SN413 0LSP2  
XXXX (DATE CODE)  
b) BAYONET PIN HEADS TO BE BLUE.

† ALL TEST CONDITIONS AT 25±5°C & 30-50% RELATIVE HUMIDITY.  
D.F. AT 1.0 VRMS @ 1KHz. ±1%  
CAP. PER MIL-STD-202 METHOD 305, 1.0 VRMS @ 1KHz. ±1%  
D.W.V. PER MIL-STD-202 METHOD 301, 1-5 SEC. 50 mA MAX.  
I.R. PER MIL-STD-202 METHOD 302.  
I.L. PER MIL-STD-220, NO LOAD CONDITION.

THIS DOCUMENT CONTAINS PROPRIETARY INFORMATION AND IS COPYRIGHTED. EXCEPT WITH THE WRITTEN PERMISSION OF SPECTRUM CONTROL INC., OR ITS SUBSIDIARIES, SUCH INFORMATION SHALL NOT BE PUBLISHED OR DISCLOSED TO OTHERS OR USED FOR ANY PURPOSE AND THIS DOCUMENT SHALL NOT BE DUPLICATED IN WHOLE OR IN PART.

			03	02	REV. N.D.
			CN 55287-ENG	CN 53833-ENG	REDRAWN
			CHANGE NOTICE		

UNLESS OTHERWISE SPECIFIED DIMENSIONS ARE IN INCHES

DO NOT SCALE

THIRD ANGLE PROJECTION

TOLERANCES UNLESS OTHERWISE SPECIFIED  
Fractions ± 1/64  
Dec. .xx ± .030  
Dec. .xxx ± .005  
Angles ± 0° 30'

CODE IDENT. NO. 0LSP2

SPECTRUM CONTROL INC.

Dwn. KAUFFMAN

Date 4-01-10

Engr KILMER

Sheet 1 of 1

FAIRVIEW PENNSYLVANIA

Description  
FILTER CONNECTOR

B 9CG4W1415SN413

## X-ON Electronics

Largest Supplier of Electrical and Electronic Components

*Click to view similar products for [Circular MIL Spec Connector](#) category:*

*Click to view products by [Api Technologies](#) manufacturer:*

Other Similar products are found below :

[0025-262-542](#) [0025-264-3014](#) [58-570121-04S](#) [0134-202-1200](#) [0134-207-1206](#) [0134-207-1800](#) [0134-207-2207](#) [0134-213-0806](#) [0134-213-1007](#) [0134-213-1009](#) [0134-213-1208](#) [0134-213-1800](#) [0134-213-2209](#) [0025-258-000](#) [015-9516-002](#) [60-042722-19P](#) [0114-201-1278](#) [602GB06EG24-61SN](#) [0134-201-1207](#) [0134-201-1806](#) [0134-201-2006](#) [0134-201-2007](#) [0134-201-2010](#) [0134-202-1400](#) [0134-207-0809](#) [0134-207-1208](#) [0134-207-2009](#) [0134-213-1006](#) [6104-207-2302](#) [6104-208-1902](#) [6104-215-0902](#) [6131-202-19149P](#) [6131-204-21149P](#) [6131-207-13149P](#) [6131-208-13149P](#) [6131-209-17149P](#) [6131-210-11149P](#) [6131-211-19149P](#) [6131-216-19149P](#) [6131-220-25149P](#) [6131-259-11149P](#) [6131-259-21149P](#) [6131-259-23149P](#) [6131-263-19149P](#) [6131-265-17149P](#) [6131-265-19149P](#) [CS3102A-20-15P](#) [CS3102C18-4P-472](#) [CS3106A-10SL-53S](#) [CS3106A-10SL-64S](#)