

## 345 and 351 Series

Miniature, In-Line Rotary Joints



### Features

- Small Size & Lightweight
- Excellent Insertion Loss
- Designed for MIL-E-5400 Class II
- Weatherized Versions (345W, 345C, 345F)

### Technical Specifications

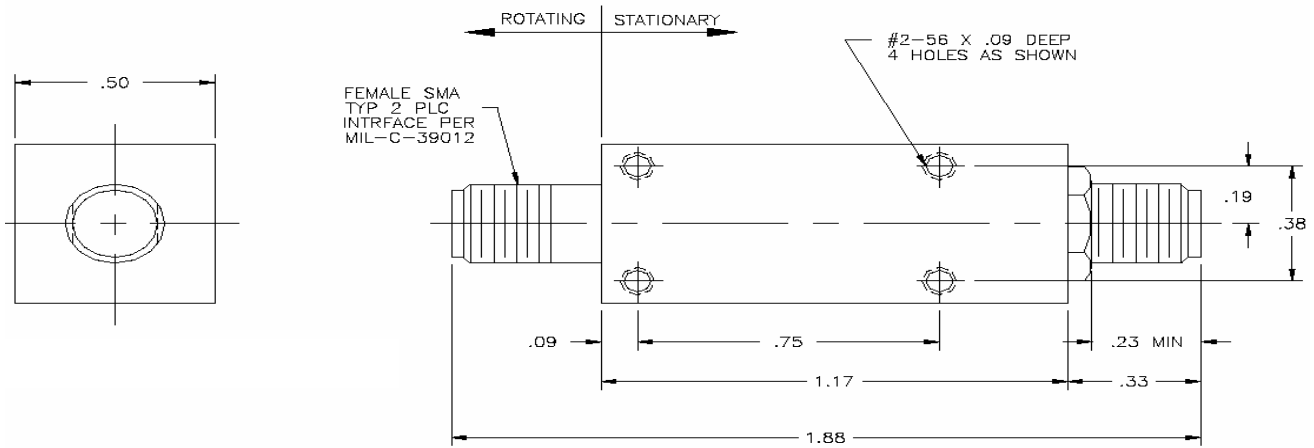
Model Number	Part Number	Frequency	Insertion Loss, Max (dB)	VSWR	VSWR Wow	Power at 1 GHz		DC Current Max (Amps)	Weight (Oz)	Torque (In-Oz)	Rotation Rate (RPM)	Connectors
						Peak (W)	Ave (W)					
345	P3-5196G1	DC-18	DC-10 GHz <0.2 dB	1.20:1	1.02	500	100	5	1.2	1.5	100	SMA
			10-18 GHz < 0.5 dB	1.35:1								
345W	P3-5196G2	DC-18	DC-10 GHz <0.2 dB	1.20:1	1.02	500	100	5	1.2	6.0	100	SMA
			10-18 GHz < 0.5 dB	1.35:1								
345C	P3-5196G3	DC-18	DC-10 GHz <0.2 dB	1.20:1	1.02	500	100	5	0.9	6.0	100	SMA
			10-18 GHz < 0.5 dB	1.35:1								
345F	P3-5196G15	DC-18	DC-10 GHz <0.2 dB	1.20:1	1.02	500	100	5	1.3	6.0	100	SMA
			10-18 GHz < 0.5 dB	1.35:1								
Model Number	Part Number	Frequency DC-40 (GHz)	Insertion Loss, Max (dB)	VSWR	VSWR Wow	Power at 1 GHz		DC Current Max (Amps)	Weight (Oz)	Torque (In-Oz)	Rotation Rate (RPM)	Connectors
						Peak (W)	Ave (W)					
351	P5-5424G1	DC - 10	0.25	1.30:1	1.05	500	50	3	0.5	5	250	2.92mm
		10-20	0.4	1.45:1								
		20 - 30	0.55	1.60:1	1.1							
		30 - 40	0.7	1.75:1								

#### NOTES:

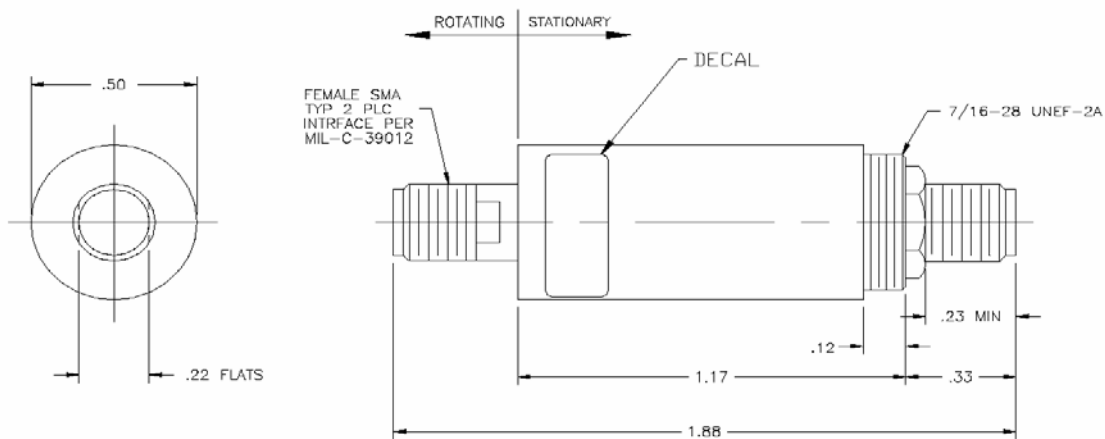
1. Refer to Power Derating Curves for rating other frequencies.
2. Average Power: 100 watts (500 watts Peak).

# Miniature Rotary Joints

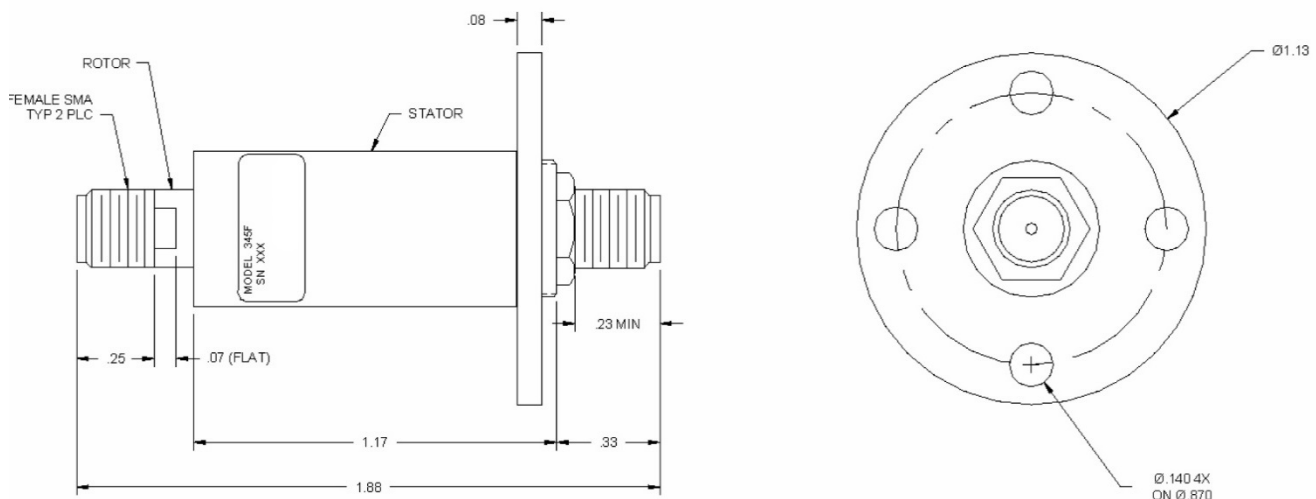
## Models 345 and 345W



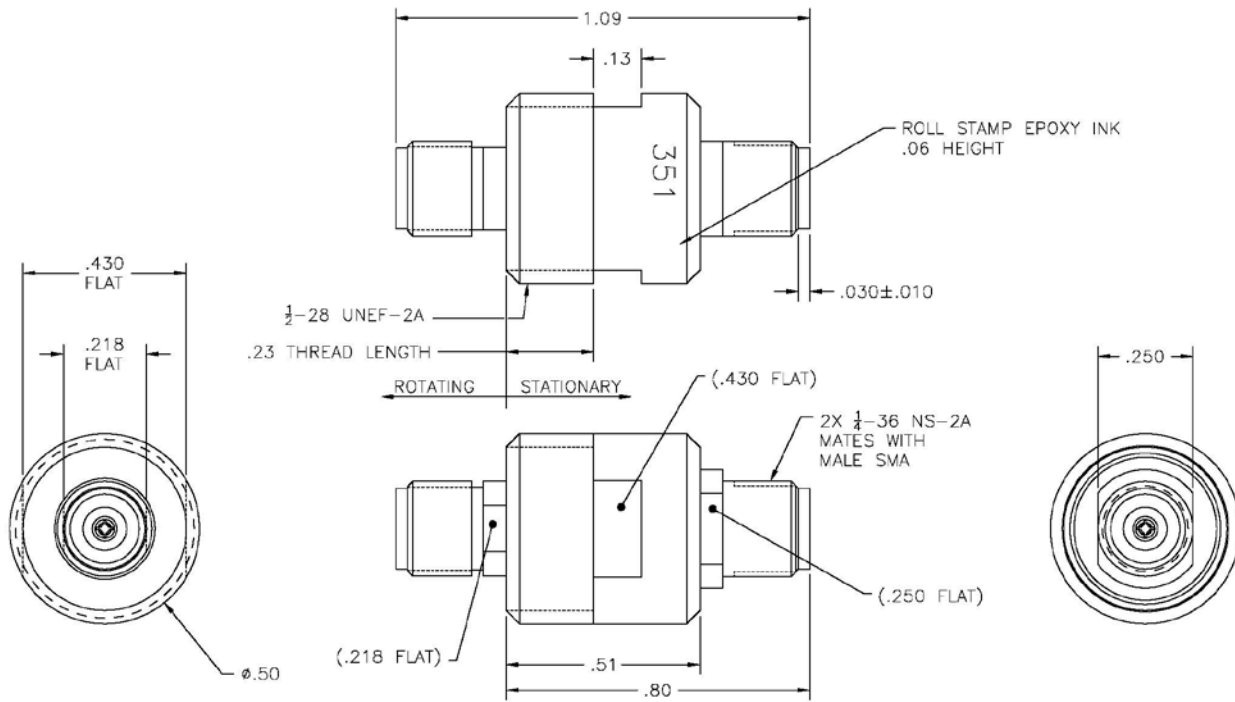
## Model 345C



## Model 345F



## Model 351



### NOTES:

- API Technologies "Standard Warranty and Order Terms and Conditions" apply to all orders.
- All specifications subject to change without notice.
- Check "Ordering and Availability Listing" for delivery and ordering information.
- Contact our local Manufacturers Representative for pricing.

## X-ON Electronics

Largest Supplier of Electrical and Electronic Components

*Click to view similar products for [RF Connector Accessories](#) category:*

*Click to view products by [Api Technologies](#) manufacturer:*

Other Similar products are found below :

[89674-0712](#) [F702RX24](#) [FERRULE-174](#) [R141802000](#) [R141805000](#) [R141842000](#) [R161862000](#) [R161862000W](#) [R280752000](#) [R280907000](#)  
[R694261906](#) [RFI21-13](#) [RFI75-13-D2](#) [RFI75-4-D2](#) [AX102906](#) [AX102907](#) [18097-0013](#) [HP-375](#) [HP-500](#) [2098-0294-00](#) [2098-3251-94](#) [KA-](#)  
[81-05](#) [89674-0805](#) [F1](#) [FERRULE-223](#) [202102-11](#) [213337-1](#) [220222-2](#) [24092671A](#) [24092678A](#) [R161841000](#) [R280468000](#) [R280510000](#)  
[R282862060](#) [RFI155-1](#) [RFI25-12-D3](#) [RFI25-5](#) [RFI25-5-D3](#) [RFI75-12-D2](#) [RFI75-2-D2](#) [RFI75-4-D3](#) [RFI77-6](#) [RFI97-14](#)  
[360HS001M2508M6](#) [4-1532137-4](#) [5-21085-0](#) [105274-1000](#) [111062-0490](#) [112122-SOD-LUG](#) [112-NUT-KNURL](#)