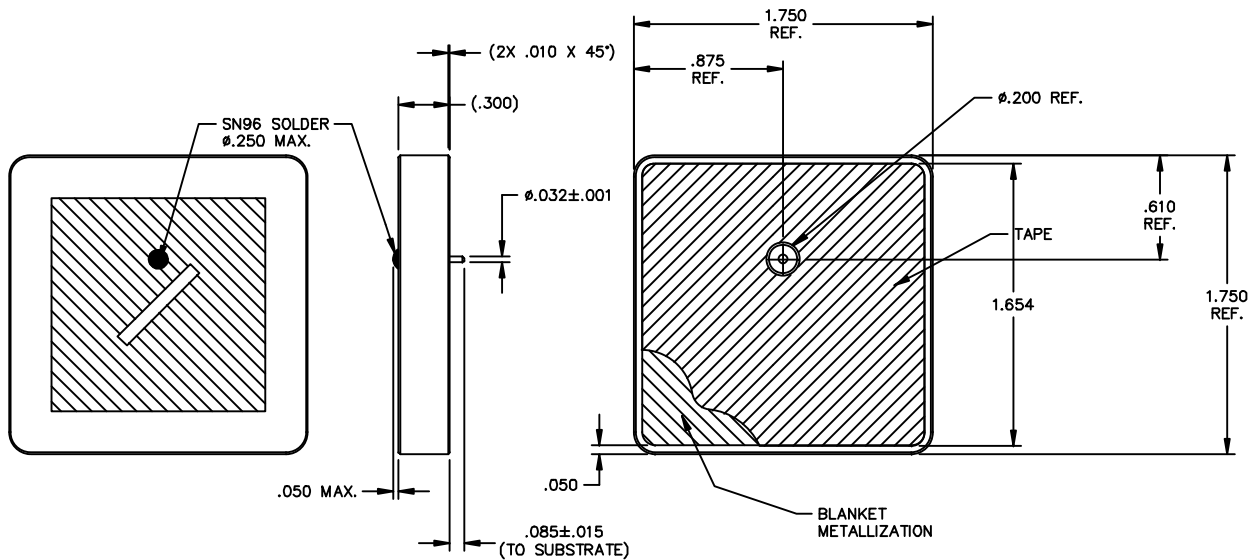


NOTES:

1. ELECTRICAL SPECIFICATIONS:
 CENTER FREQUENCY: 1621 MHz
 FREQUENCY TOLERANCE: ± 10 MHz
 3:1 VSWR B.W. = 175 MHz
 MIN GAIN @ C.F. = 4 dBic
 HALF POWER BEAMWIDTH:
 110° SOLID ANGLE
 EFFICIENCY: 60% TYPICAL
 VSWR @ C.F. = $\leq 1.8:1$
 AXIAL RATIO: 6 dB
 RIGHT HAND CIRCULAR POLARIZATION
 $Z_{IN} = 50$ OHMS
2. SPECIFICATIONS ARE FOR UNPACKAGED ANTENNA.
3. FOOTPRINT AND ELECTRICAL SPECIFICATIONS ARE SUBJECT TO CHANGE. CONSULT SPECTRUM MICROWAVE FOR SPECIFIC APPLICATIONS.
4. TESTING TO BE PERFORMED ON AN ALUMINUM GROUND PLANE, 63mm (2.480 IN) X 63mm (2.480 IN) SQUARE, IN FREE SPACE.



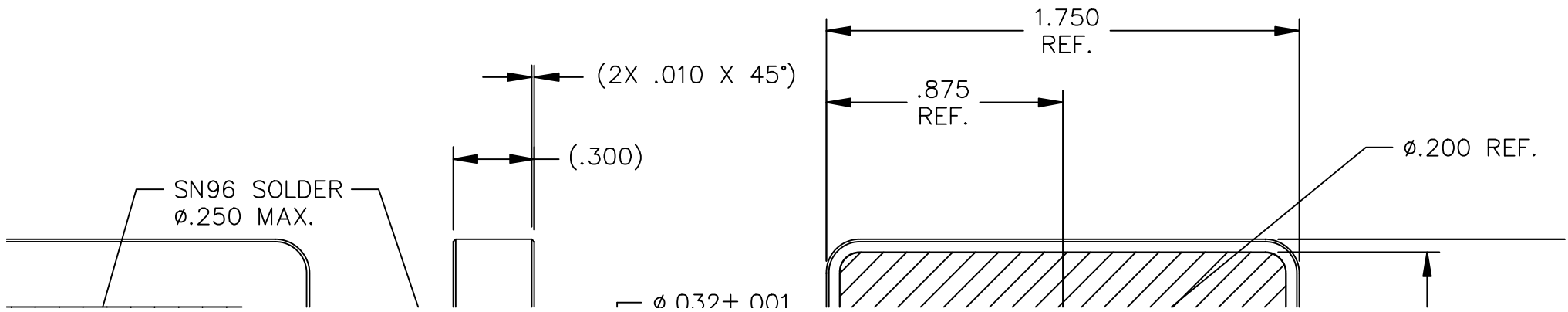
All technical information and the design disclosure in this drawing or in any accompanying technical data are copyrighted by and in the property of Spectrum Microwave, Inc. All patent, proprietary, design, manufacturing, reproduction, use and sales rights in any information disclosed herein are reserved by Spectrum Control, Inc. No right or license to use any such information for any purpose other than as agreed to by Spectrum Control, Inc. is prohibited without written permission of Spectrum Control, Inc.



						02	01	00	REV. N/D.	UNLESS OTHERWISE SPECIFIED DIMENSIONS ARE IN INCHES. DO NOT SCALE.	TOLERANCES UNLESS OTHERWISE SPECIFIED Fractions $\pm 1/64$ Dec. .xx ± .02 Dec. .xxx ± .005 Angles $\pm 0^{\circ} 30'$	SPECTRUM CONTROL INC.	FAIRVIEW PENNSYLVANIA	
						CN 54126-ENG	CN 41416-ENG	CN 33012-CPD					CHANGE NOTICE	CODE IDENT. NO. OLSP2
										⊙ THIRD ANGLE	Engr. J. KRAUS	DATE 4-22-10	PA451621-1575SA	
											Sheet 1 of 1			

Quality Products From The Specialists In Electro-Magnetic Compatibility

FORMED ON AN ALUMINUM GROUND PLANE,
3mm (2.480 IN) SQUARE, IN FREE SPACE.



X-ON Electronics

Largest Supplier of Electrical and Electronic Components

Click to view similar products for [Antennas](#) category:

Click to view products by [Api Technologies](#) manufacturer:

Other Similar products are found below :

[GAN30084EU](#) [930-033-R](#) [GW17.07.0250E](#) [1513563-1](#) [EXE902SM](#) [APAMPG-117](#) [MAF94383](#) [W3908B0100](#) [W6102B0100](#) [YE572113-30RSMM](#) [108-00014-50](#) [66089-2406](#) [SPDA17RP918](#) [W3006VP](#) [A09-F8NF-M](#) [A09-F5NF-M](#) [RGFRA1903041A1T](#) [W3525BW100](#) [W3593B0100](#) [W3921B0100](#) [SIMNA-868](#) [SIMNA-915](#) [SIMNA-433](#) [W1044](#) [W1049B090](#) [A75-001](#) [WTL2449CQ1-FRSMM](#) [CPL9C](#) [EXB148BN](#) [0600-00060](#) [TRA9020S3PBN-001](#) [Y4503](#) [GD5W-28P-NF](#) [MA9-7N](#) [GD53-25](#) [GD5W-21P-NF](#) [C37](#) [MAF94051](#) [MA9-5N](#) [EXD420PL](#) [B1322NR](#) [QWFTB120](#) [MAF94271](#) [MAF94300](#) [GPSMB301](#) [FG4403](#) [AO-AGSM-OM54](#) [5200232](#) [MIKROE-2349](#) [WCM.01.0111](#)