

Surface Mount Low Pass Filters PSM Series

PSM Ordering Information

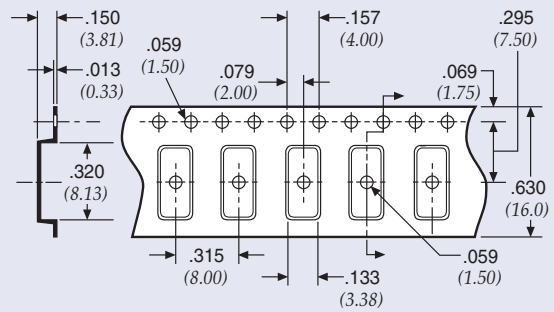
Example: **PSM4-402Z-20T0**

PSM	4	-	402Z	-	20	T	0																																	
Style	Circuit Configuration		Capacitance		Current Rating	Packaging	Tape and Reel																																	
PSM (Power)	1 - Pi 4 - Feed-through		<table border="1"> <thead> <tr> <th>Code</th> <th>Value*</th> <th>Tolerance</th> </tr> </thead> <tbody> <tr><td>680M</td><td>68 pF</td><td>±20%</td></tr> <tr><td>101M</td><td>100 pF</td><td>±20%</td></tr> <tr><td>131P</td><td>130 pF</td><td>+100/-0%</td></tr> <tr><td>471P</td><td>470 pF</td><td>+100/-0%</td></tr> <tr><td>821M</td><td>820 pF</td><td>±20%</td></tr> <tr><td>102M</td><td>1000 pF</td><td>±20%</td></tr> <tr><td>152M</td><td>1500 pF</td><td>±20%</td></tr> <tr><td>252P</td><td>2500 pF</td><td>+100/-0%</td></tr> <tr><td>402Z</td><td>4000 pF</td><td>+80/20%</td></tr> <tr><td>103Z**</td><td>.01 μF</td><td>+80/-20%</td></tr> </tbody> </table>	Code	Value*	Tolerance	680M	68 pF	±20%	101M	100 pF	±20%	131P	130 pF	+100/-0%	471P	470 pF	+100/-0%	821M	820 pF	±20%	102M	1000 pF	±20%	152M	1500 pF	±20%	252P	2500 pF	+100/-0%	402Z	4000 pF	+80/20%	103Z**	.01 μF	+80/-20%		10 - 10 Amps (Pi) 20 - 20 Amps (Feed-through)	T - Tape and reel packaging B - Bulk packaging	0 - 500 pieces 2 - 2,000 pieces <i>Note: Tape and reel packaging - 500 pieces (7") and 2,000 pieces (13")</i>
Code	Value*	Tolerance																																						
680M	68 pF	±20%																																						
101M	100 pF	±20%																																						
131P	130 pF	+100/-0%																																						
471P	470 pF	+100/-0%																																						
821M	820 pF	±20%																																						
102M	1000 pF	±20%																																						
152M	1500 pF	±20%																																						
252P	2500 pF	+100/-0%																																						
402Z	4000 pF	+80/20%																																						
103Z**	.01 μF	+80/-20%																																						
<p>† Also available through API's authorized distributors.</p> <p>* Other capacitance values available as special order. ** Available in Feed-through circuit only.</p>																																								

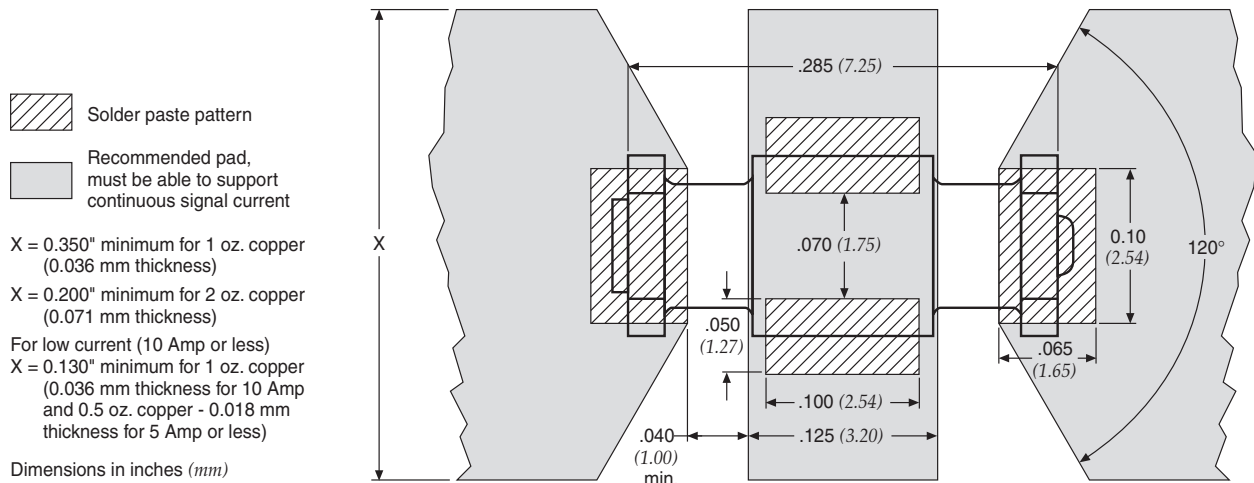
Technical Notes

- Soldering recommendations supplied upon request
- Reflow temperature limit is 250°C
- Unit weight is approximately 0.4 grams
- Tape and reel packaging available for automated assembly

PSM Tape and Reel Packaging



PSM Recommended Board Pattern



X-ON Electronics

Largest Supplier of Electrical and Electronic Components

Click to view similar products for [Api Technologies](#) manufacturer:

Other Similar products are found below :

[56F706-005-LI](#) [60-SPR-060-3-4](#) [12-MMB-030-11-D](#) [51-321-317](#) [SCI-6120-009](#) [QB-904N](#) [56F512-014-GBL](#) [51-444-156](#) [56-731-081](#) [SCI-9510-104](#) [SCI-2350-001](#) [M15733/34-0001](#) [56F715-005](#) [34212549-004REVG](#) [56-733-004](#) [1221-001](#) [64-SSF-040-5-04](#) [SCI-3122-002](#)
[10250083-1 REV G](#) [P1-5654G8](#) [SCI-2350-000](#) [56-731-004](#) [51-713-095](#) [54-874-012](#) [OPS-0002](#) [P3-5196G3](#) [51-359-044](#) [56-741-012](#) [56-715-005-LI](#) [56F705-001](#) [SCI-3112-000](#) [SCI-9910-272AQ](#) [56-722-005-LI](#) [6705](#) [PSM4-103Z-20B](#) [51-359-007](#) [56-504-014-GBL](#) [54F-786-013](#)
[JCS24T0-2](#) [M15733/39-0012](#) [1201-052](#) [54F-763-015](#) [56-731-015](#) [56F715-005-LI](#) [56-726-004](#) [56F735-005](#) [56-735-003](#) [13-PWB-030-12-D](#)
[AR251575008CCLF](#) [54-310-005](#)