

Surface Mount Low Pass Filters SSM & RSM Series

SSM



- Working Voltage 100 VDC
- Test Voltage 250 VDC
- Current Max. 10 Amps
- Insulation Resistance Min. 10^4 M Ω
- Terminations Silver Ni-Tin plated
- Soldering Conditions Max. 250°C -5 sec.
- Marking None
- Packaging Bulk or tape and reel

Note: Insertion loss shown for the following SSM values* only:

- 101Z
- 501P
- 202P

*Additional IL charts available by request.

RSM



- Working Voltage 100 VDC
- Test Voltage 250 VDC
- Current Max. 10 Amps
- Insulation Resistance Min. 10^4 M Ω
- Terminations Silver Ni-Tin plated
- Soldering Conditions Max. 250°C -5 sec.
- Marking None
- Packaging Bulk or tape and reel

Note: Insertion loss shown for the following RSM values only:

- 152P
- 402Z

Pi Insertion Loss

Typical SMT Applications

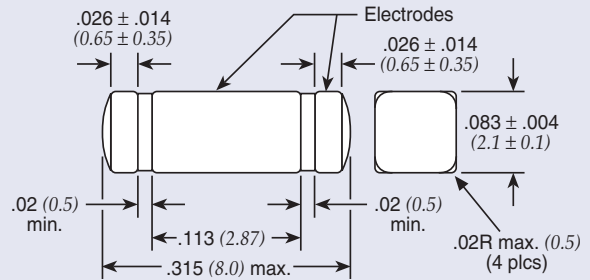


Shielded or Partition Applications

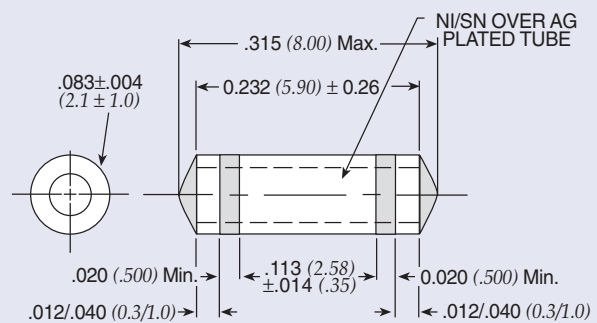


* Capacitance values for insertion loss curves are displayed left to right in the order shown.

SSM



RSM



Dimensions in inches (mm)

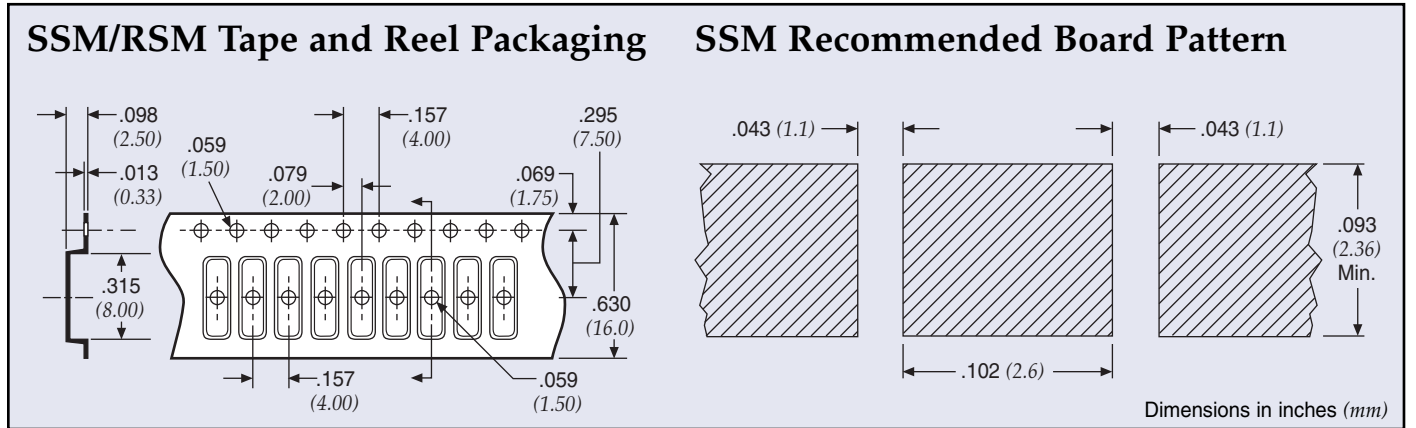
Surface Mount Low Pass Filters SSM & RSM Series

SSM & RSM Ordering Information

Example: **SSM1-101Z-05T 1**

SSM	1	-	101Z	-	05	T	1																					
Style	Circuit Configuration		Capacitance		Current Rating	Packaging	Tape and Reel																					
SSM (Square) RSM (Round)	1 - Pi				05 - 5 Amps 10 - 10 Amps	T - Tape and reel packaging B - Bulk packaging	1 - 1,000 pieces 6 - 6,000 pieces <i>Note: Tape and reel packaging - 1,000 pieces (7") and 6,000 pieces (13")</i>																					
			<table border="1" style="width: 100%; border-collapse: collapse;"> <thead> <tr> <th>Code</th> <th>Value</th> <th>Tolerance</th> </tr> </thead> <tbody> <tr> <td>101Z</td> <td>100 pF</td> <td>+80/-20%</td> </tr> <tr> <td>501P</td> <td>500 pF</td> <td>+100/-0%</td> </tr> <tr> <td>152P</td> <td>1500 pF</td> <td>+100/-0%</td> </tr> <tr> <td>202P</td> <td>2000 pF</td> <td>+100/-0%</td> </tr> <tr> <td>402E</td> <td>4000 pF</td> <td>±25</td> </tr> <tr> <td>402Z</td> <td>4000 pF</td> <td>+80/-20%</td> </tr> </tbody> </table>	Code	Value	Tolerance	101Z	100 pF	+80/-20%	501P	500 pF	+100/-0%	152P	1500 pF	+100/-0%	202P	2000 pF	+100/-0%	402E	4000 pF	±25	402Z	4000 pF	+80/-20%				
Code	Value	Tolerance																										
101Z	100 pF	+80/-20%																										
501P	500 pF	+100/-0%																										
152P	1500 pF	+100/-0%																										
202P	2000 pF	+100/-0%																										
402E	4000 pF	±25																										
402Z	4000 pF	+80/-20%																										

† Also available through API's authorized distributors.
 € Also available through API's authorized European distributors/agents.
 † SSM1-152P-05-T1 €



X-ON Electronics

Largest Supplier of Electrical and Electronic Components

Click to view similar products for [Api Technologies](#) manufacturer:

Other Similar products are found below :

[56F706-005-LI](#) [60-SPR-060-3-4](#) [12-MMB-030-11-D](#) [51-321-317](#) [SCI-6120-009](#) [QB-904N](#) [56F512-014-GBL](#) [51-444-156](#) [56-731-081](#) [SCI-9510-104](#) [SCI-2350-001](#) [M15733/34-0001](#) [56F715-005](#) [34212549-004REVG](#) [56-733-004](#) [1221-001](#) [64-SSF-040-5-04](#) [SCI-3122-002](#) [10250083-1 REV G](#) [P1-5654G8](#) [SCI-2350-000](#) [56-731-004](#) [51-713-095](#) [54-874-012](#) [OPS-0002](#) [P3-5196G3](#) [51-359-044](#) [56-741-012](#) [56-715-005-LI](#) [56F705-001](#) [SCI-3112-000](#) [SCI-9910-272AQ](#) [56-722-005-LI](#) [6705](#) [PSM4-103Z-20B](#) [51-359-007](#) [56-504-014-GBL](#) [54F-786-013](#) [JCS24T0-2](#) [M15733/39-0012](#) [1201-052](#) [54F-763-015](#) [56-731-015](#) [56F715-005-LI](#) [56-726-004](#) [56F735-005](#) [56-735-003](#) [13-PWB-030-12-D](#) [AR251575008CCLF](#) [54-310-005](#)