

Coaxial Trough Line Phase Shifters

DC To 18 GHz and DC-26.5 GHz Models



Features

- Type SMA Connectors Standard
- Options from DC-18 GHz, and DC-26.5 GHz
- High Performance, Trough Line Style Structure
- Military Grade Materials and Processing
- -40° to + 125°C Operating Temperature Range
- 6605, 6705, 6705K, 6805 Series

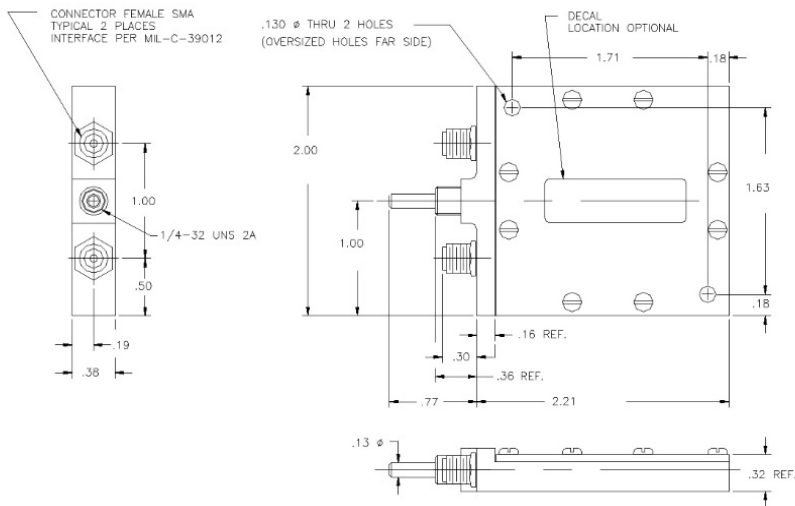
Technical Specifications

| Model | 6605 | 6705 | 6705K | 6805 |
|---|-------|-------|---------|-------|
| Frequency Range (GHz) | DC-18 | DC-18 | DC-26.5 | DC-18 |
| Phase Shift, min (°/GHz) | 40 | 40 | 40 | 40 |
| Phase Shift, min (°/GHz/Shaft Turn) | 1.5 | 1.5 | 1.5 | 1.5 |
| Insertion Phase, nom at Min Phase Setting (°/GHz) | 140 | 140 | 130 | 150 |
| Number of Turns, min | 26 | 26 | 26 | 26 |
| VSWR max | | | | |
| DC to 18 GHz | 1.60 | 1.60 | 1.60 | 1.60 |
| 18 to 26.5 GHz | NA | NA | 2.00 | NA |
| Insertion Loss, max (dB) | | | | |
| DC to 18 GHz | 1.50 | 1.50 | 1.25 | 1.50 |
| 18 to 26.5 GHz | NA | NA | 1.75 | NA |
| Power | | | | |
| Average (Watts) | 100 | 100 | 100 | 100 |
| Peak (Watts) | 1000 | 1000 | 1000 | 1000 |
| Time Delay, nom (nsec) @ Min Phase Setting | 0.4 | 0.4 | 0.4 | 0.4 |
| Connectors | SMA | SMA | K | SMA |
| Weight | | | | |
| Ounces | 2.5 | 3.75 | 3.75 | 3.0 |
| Grams | 71 | 106 | 106 | 85 |

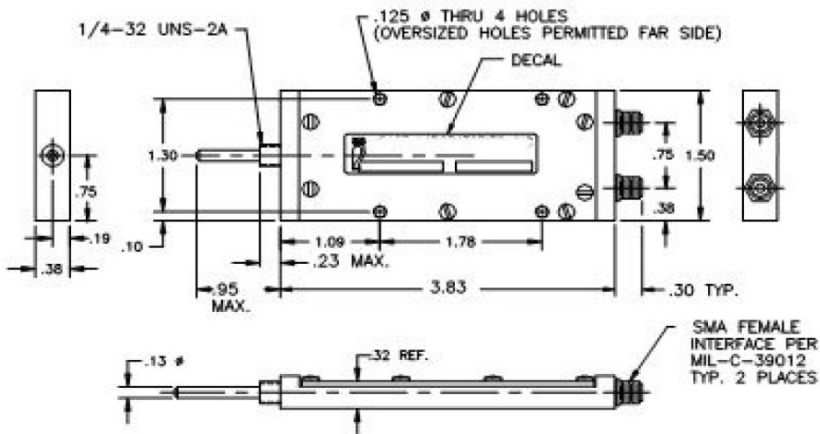
NOTES:

- 1 Degree per GHz of Phase Shift equals 2.78 picoseconds of time delay.
- Average and Peak Power are given at ambient temperature and altitude with Type SMA Connectors. Power is further limited by threshold level of selected connector style.

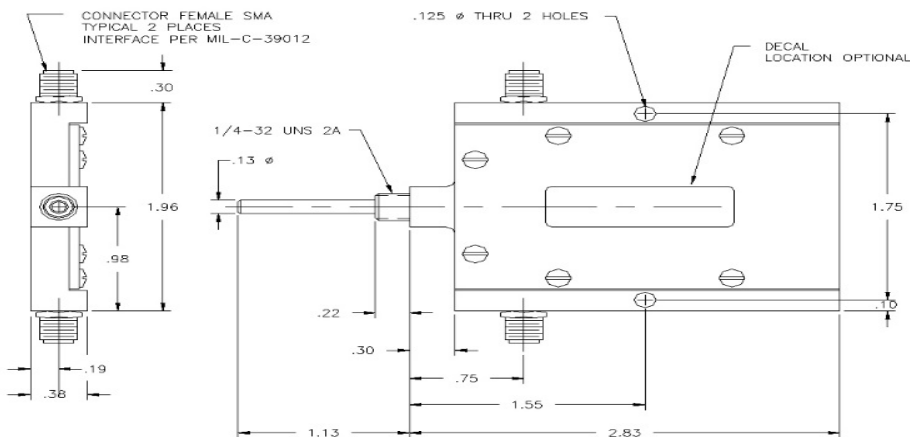
Model 6605



Models 6705 and 6705K



Model 6805



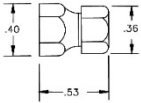
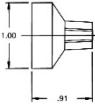

Trough Line Phase Shifters

Ordering Information

Drive Shaft and Connector Options:

1. Only the following standard control options are available. The -2 option is not available for the 6605 model. The base model is available without additional options.
2. Add suffix as designated below to the ordering model number.

| Model # Plus | Description |
|--------------|--|
| -1 | Shaft Lock |
| -2 | Turns Counter With Built In Shaft Lock |
| -4 | Screw Driver Slot |
| -5 | Control Knob |
| -14 | Shaft Lock With Screw Driver Slot |
| -15 | Shaft Lock With Control Knob |

| (-1) SHAFT LOCK | (-2) TURNS COUNTER W/ SHAFT LOCK | (-5) CONTROL KNOB |
|--|--|--|
|  |  |  <p>D= 0.5" L=0.65</p> |

NOTES:

1. API Technologies "Standard Warranty and Order Terms and Conditions" apply to all orders.
2. All specifications subject to change without notice.

X-ON Electronics

Largest Supplier of Electrical and Electronic Components

Click to view similar products for [RF Modules](#) category:

Click to view products by [Api Technologies](#) manufacturer:

Other Similar products are found below :

[HMC-C009](#) [HMC-C011](#) [nRF24L01P-MODULE-PCB](#) [HMC-C021](#) [HMC-C024](#) [XB9XT-DPRS-721](#) [XBP9B-DMUTB022](#) [nRF24L01P-MODULE-SMA](#) [CMD-KEY2-418-CRE](#) [XM-C92-2P-UA](#) [XB9XT-DPUS-721](#) [V640-A90](#) [HMC-C583](#) [MAAM-008818-TR3000](#) [MTSMC-H5-U](#) [SIMSA868-PRO](#) [SIMSA915C-PRO](#) [SIMSA868C-PRO](#) [SIMSA433C-PRO](#) [SIMSA915-PRO](#) [XBP9B-DMUT-042](#) [HMC-C582](#) [HMC-C022](#) [XBP9B-DPST-041](#) [XBP9B-DMWT-042](#) [SM-MN-00-HF-RC](#) [HMC-C031](#) [MT-02](#) [M1002GB](#) [702-W](#) [SIMSA868C-N-PRO](#) [SIMSA433C-N-PRO](#) [SIMSA915C-N-PRO](#) [ADP-R202-00B](#) [PEPPER WIRELESS C1 USB](#) [S2-10732-Z1T61](#) [S2-107XB-Z2356-Z2352](#) [S2-10672-Z1L85](#) [S2-10686-Z1L1D](#) [S2-10688-Z1L1T](#) [S2-106BA-Z1P20](#) [S2-1060C-Z1F0A](#) [S2-106R4-Z1Q6F-Z1Q6Q](#) [S2-106R4-Z1Q6J-Z1Q6Q](#) [S2-106RB-Z1Q6V-Z1Q6Q](#) [S2-107DR-Z1Y5B](#) [SU60-2230C-PU](#) [RC-TFSK3-868](#) [NANO RFID POE](#) [RFID USB POCKET](#)