



Ask the Experts



Enter your search

## Toggle Boots

- Overview
- Toggle Boots**
- Pushbutton Boots
- Rotary Boots
- Circuit Breaker Boots
- Rocker Boots
- Bushing Seals

Toggle switches have been widely used across all sorts of industries for a very long time. With their straightforward, back and forth actuation making them easy to operate, toggle switches have continued to be one of the more common styles of switch used today. The long life of the toggle switch has given APM Hexseal the opportunity to develop a variety of designs over the years, incorporating different sealing techniques to cater to a broad range of switch applications and installation environments. The majority of APM Hexseal toggle boots are a single piece design, molded from silicone over a threaded mounting nut. Our designs include fully enclosed toggle boots that cover the entirety of a switch, as well as half boots that leave a portion of the toggle bat exposed. No matter the variation, all APM Hexseal designs include our signature sealing rib that ensures a secure seal with the mounting panel, and are extremely effective toggle switch sealing solutions.



Material Specifications	Full Toggle Boots with Secondary Inner Seal	Full Toggle Boots with Constant Internal Diameter	Half & Open Toggle Boots with Exposed Actuator
-------------------------	---	---	--

**MATERIAL SPECIFICATIONS**  
**For APM Hexseal® Standard Threaded Toggle Boots**

**Mounting Nut:** Brass, Nickel Plated  
**Elastomer:** Silicone conforms to A-A-59588, Class 3A, GR50 †, Gray ‡  
**Temperature Range:** -103° F to +400° F (-75° C to +204° C)  
**Resistant to:** Splash, salt spray, sunlight, ozone, weather, fungus, dust, and most acids and lubricating oils.  
**Shelf Life:** Excess of 25 years.

† Durometer options available. Please contact APM Hexseal® for details.  
 ‡ Additional color options available. Please contact APM Hexseal® for details.

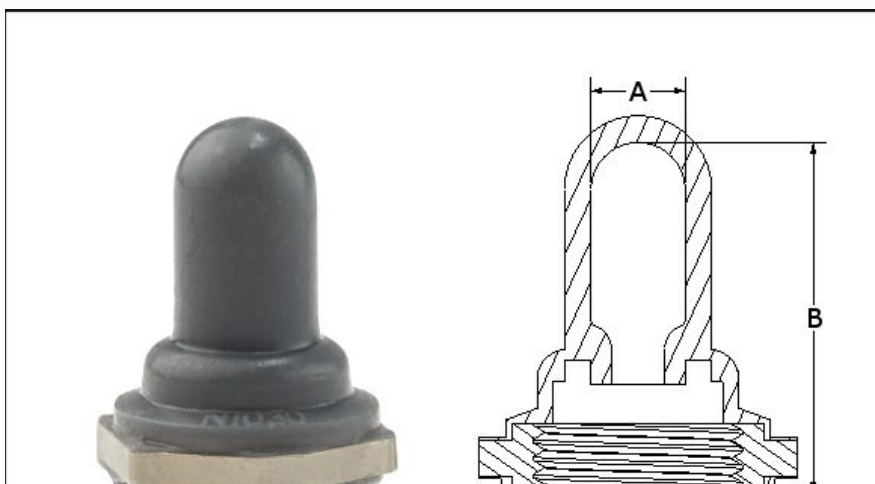




Fig. 1

## Full Toggle Boots with Secondary Inner Seal Fig.1

[Click table to enlarge](#)

APM Hexseal Part #	Military Part #	Thread Size	Max Bat Height (Above Bushing)	Internal Diameter (A)	Height (B)	Hex Size/Outer Diameter (C)	System of Measurement				
C1131/27	-	15/32-32 UNS-2B	0.710"	18.03mm	0.219"	5.56mm	0.937"	23.80mm	0.625"	15.88mm	Imperial
N1030	M5423/01-01	15/32-32 UNS-2B	0.660"	16.76mm	0.219"	5.56mm	0.844"	21.44mm	0.625"	15.88mm	Imperial
N5030	M5423/04-01	1/4-40 UNS-2B	0.310"	7.87mm	0.104"	2.64mm	0.422"	10.72mm	0.375"	9.53mm	Imperial

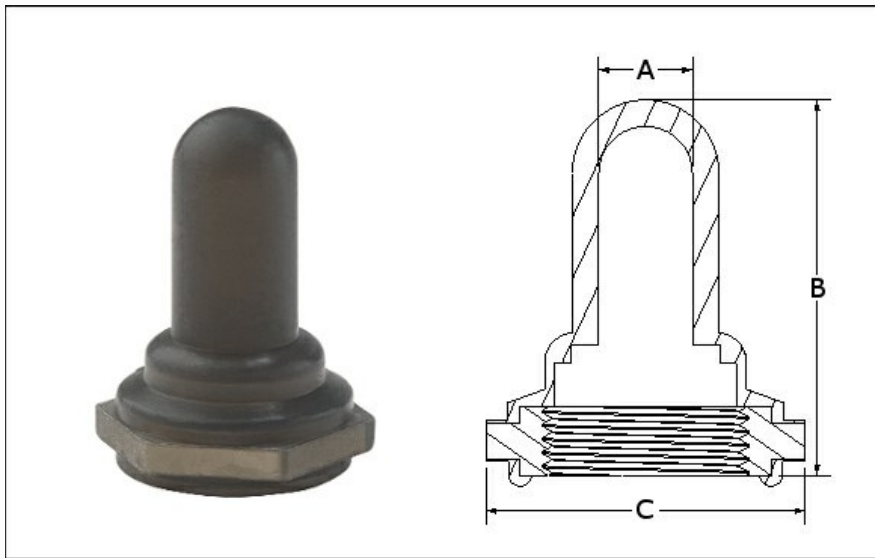


Fig. 2

## Full Toggle Boots with Constant Internal Diameter Fig.2

[Click table to enlarge](#)

APM Hexseal Part #	Military Part #	Thread Size	Max Bat Height (Above Bushing)	Internal Diameter (A)	Height (B)	Hex Size/Outer Diameter (C)	System of Measurement				
1131/26	-	15/32-32 UNS-2B	0.900"	22.86mm	0.219"	5.56mm	1.093"	27.76mm	0.625"	15.88mm	Imperial
50154	-	15/32-32 UNS-2B	0.925"	23.50mm	0.300"	7.62mm	1.110"	28.19mm	0.625"	15.88mm	Imperial
C1131/28	-	15/32-32 UNS-2B	0.710"	18.03mm	0.219"	5.56mm	0.937"	23.80mm	0.625"	15.88mm	Imperial
IN1030	-	15/32-32 UNS-2B	0.660"	16.76mm	0.219"	5.56mm	0.844"	21.44mm	0.625"	15.88mm	Imperial
IQ1030 *	-	15/32-32 UNS-2B	0.735"	18.67mm	0.250"	6.35mm	0.975"	24.77mm	0.875"	22.22mm	Imperial
N5030L	M5423/05-01	1/4-40 UNS-2B	0.370"	9.40mm	0.062"	1.57mm	0.500"	12.70mm	0.375"	9.53mm	Imperial
N5030S	-	1/4-40 UNS-2B	0.500"	12.70mm	0.062"	1.57mm	0.594"	15.08mm	0.375"	9.53mm	Imperial
1131/26 M12x.75	-	M12 x 0.75 6H	0.900"	22.86mm	0.219"	5.56mm	1.093"	27.76mm	0.625"	15.88mm	Metric
1131/26 M12x1	-	M12 x 1 6H	0.900"	22.86mm	0.219"	5.56mm	1.093"	27.76mm	0.625"	15.88mm	Metric
1131/31 M12	-	M12 x 1 6H	0.668"	16.97mm	0.256"	6.50mm	0.844"	21.44mm	0.625"	15.88mm	Metric
1131/40	-	M12 x 1 6H	0.668"	16.97mm	0.234"	5.95mm	0.859"	21.83mm	0.625"	15.88mm	Metric
C1131/41	-	M12 x 0.75 6H	0.633"	16.08mm	0.210"	5.30mm	0.850"	21.60mm	0.625"	15.88mm	Metric
IN1030 RFI *	M5423/01-02	15/32-32 UNS-2B	0.660"	16.76mm	0.219"	5.56mm	0.844"	21.44mm	0.625"	15.88mm	Imperial

\* IQ Toggle Boots "Install Quickly" over pre-installed switches.

\* Toggle Boot with EMI/RFI Shielding.



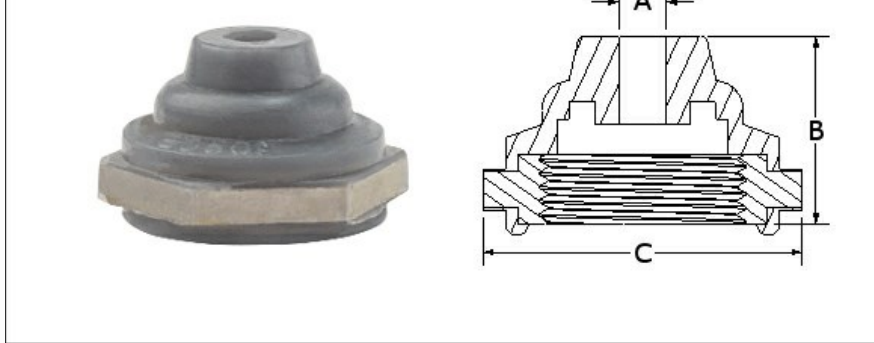


Fig. 3

## Half & Open Toggle Boots with Exposed Actuator Fig.3

Click table to enlarge

APM Hexseal Part #	Military Part #	Thread Size	Throat Diameter (A)		Height (B)		Hex Size/Outer Diameter (C)		Toggle Bat Diameter (Min.-Max.)		System of Measurement
1132/60 ♦	-	15/32-32 UNS-2B	0.160"	4.06mm	0.310"	7.87mm	0.625"	15.88mm	0.170-0.200"	4.32-5.08mm	Imperial
C1132/20	-	15/32-32 UNS-2B	0.109"	2.77mm	0.437"	11.10mm	0.625"	15.88mm	0.115-0.240"	2.92-6.10mm	Imperial
C1132/26 *	-	15/32-32 UNS-2B	0.210"	5.33mm	0.848"	21.54mm	0.625"	15.88mm	0.270-0.285"	6.86-7.24mm	Imperial
N1030B	M5423-02-01	15/32-32 UNS-2B	0.109"	2.77mm	0.437"	11.10mm	0.625"	15.88mm	0.115-0.240"	2.92-6.10mm	Imperial
N5032B	M5423/11-01	1/4-40 UNS-2B	0.047"	1.19mm	0.250"	6.35mm	0.375"	9.53mm	0.062-0.188"	1.57-4.78mm	Imperial
1132/17 M5x0.5	-	M5 x 0.5 6H	0.043"	1.10mm	0.225"	5.70mm	0.315"	8.00mm	0.062-0.188"	1.57-4.78mm	Metric
1132/33 M12x1	-	M12 x 1 6H	0.093"	2.36mm	0.437"	11.10mm	0.625"	15.88mm	0.115-0.240"	2.92-6.10mm	Metric
1132/60 M12 ♦	-	M12 x 1 6H	0.160"	4.06mm	0.310"	7.87mm	0.625"	15.88mm	0.170-0.200"	4.32-5.08mm	Metric

♦Ultra Flex™ Half-Toggle Boot with patented inverted bellows design for use with sensitive switches. (No image shown.)

\* Open Toggle Boot for lever lock switches. (No image shown.)

### Sealing Boots & Bushings

Toggle Boots  
Pushbutton Boots  
Rotary Boots  
Circuit Breaker Boots  
Rocker Boots  
Bushing Seals

### Sealing Hardware

Seelscrews & Seelbolts  
Seelnuts  
Seeloc Washers

### Contact

44 Honeck Street, Englewood, NJ 07631  
U.S.A.  
Toll Free : 800.498.9034  
Tel : 201.569.5700  
eMail : info@apmhexseal.com

FACEBOOK
 TWITTER
 LINKEDIN  
 YOUTUBE

## X-ON Electronics

Largest Supplier of Electrical and Electronic Components

*Click to view similar products for [Switch Fixings](#) category:*

*Click to view products by [APM manufacturer](#):*

Other Similar products are found below :

[893102000](#) [00-5150](#) [LZZ1A](#) [0098.9234](#) [M2PA-5011](#) [630155](#) [635401](#) [6PA113](#) [6PA147-E6](#) [6PA148-E6](#) [6PA32](#) [6PA9](#) [700106](#) [700109](#)  
[700303A56](#) [700C1GRY](#) [700C2GRN](#) [704-6001](#) [704.960.9](#) [704.965.2](#) [704.965.6](#) [704.966.0](#) [7089-3](#) [710082-B11](#) [71M1048](#) [757200264](#)  
[764300000](#) [MHU35](#) [MHU37](#) [807039-1](#) [825.003.011](#) [825.005.011](#) [825.053.011](#) [825.055.011](#) [826.000.071](#) [827.020.011](#) [827.400.021](#)  
[835.900.023](#) [MML52C10C](#) [MML52E10C](#) [MML92HGH](#) [MML93K](#) [84211M02CNNS](#) [84212M02CNNS](#) [84217A8.0LNOS](#) [842.500.011](#)  
[843.000.011](#) [843187-000](#) [843487-000](#) [84-901](#)