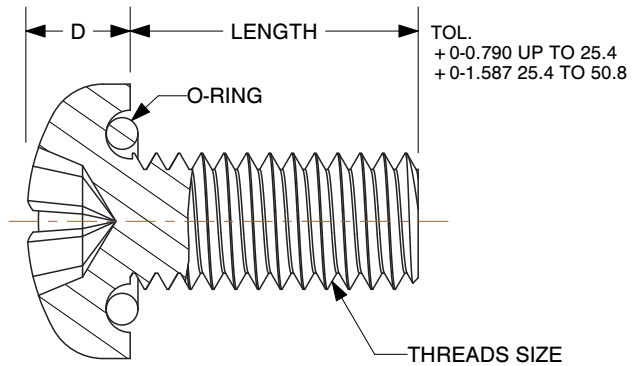
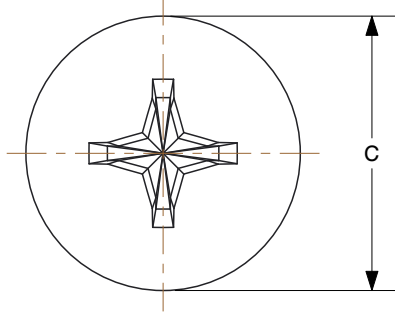
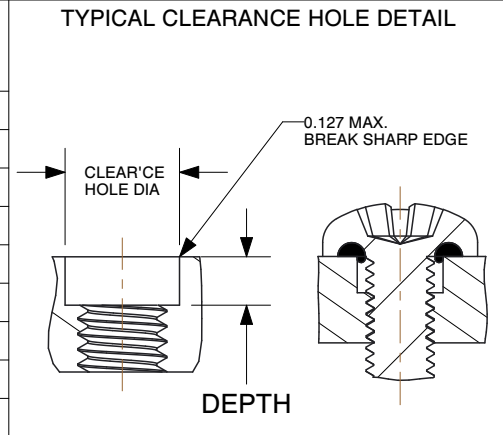


NOTES:

1. ALL DIMENSIONS IN MILLIMETERS.



THREAD SIZE	C		D max	Head Driver Size	RECOM. CLEAR. HOLE		DEPTH		LENGTH
	min.	max.			min.	max.	min.	max.	
M2x0.4	4.57	4.96	1.60	#1	2.31	2.41	0.80	1.20	4 to 12 mm
M2.5x0.45	4.95	5.59	2.10	#1	2.67	2.84	0.90	1.35	4 to 12 mm
M3x0.5	6.22	6.83	2.40	#2	3.55	3.65	1.00	1.50	4 to 40 mm
M3.5x0.6	7.55	8.23	2.60	#2	3.89	3.99	1.20	1.80	4 to 40 mm
M4x0.7	8.13	8.82	3.05	#2	4.39	4.54	1.40	2.10	4 to 40 mm
M5x0.8	9.20	10.03	3.70	#2	5.56	5.66	1.60	2.40	6 to 40 mm
M6X1.0	12.10	12.58	4.60	#3	6.73	6.83	2.00	3.00	6 to 50 mm



STANDARD SPECIFICATIONS & COMMON OPTIONS (HOW TO ORDER)

STD. SCREW MATERIAL: TYPE 18/8 STAINLESS STEEL PER DFARS (OTHER MATERIALS AVAILABLE)
 STD. SCREW FINISH: NATURAL (PASSIVATED PER AMS2700 UNLESS OTHERWISE SPECIFIED)
 STD. O-RING MATERIAL: SILICONE RUBBER (SEE TABLE FOR O-RING OPTIONS)

SAMPLE CATALOG NO.			AVAILABLE O-RING MATERIALS			COMMON OPTIONS	
SCREW TYPE	RM	PAN HEAD WITH CROSS RECESS	Compound Suffix	Material	Service Temp.	SUFFIX	DESCRIPTION
THREAD	3	ENTER BASIC THREAD SIZE	-2701	Silicone Rubber	-150° F to 500° F -101° C to 260° C	-BLKOX	BLACK OXIDE PER MIL-C-13924, CLASS 4
LENGTH	X	ENTER LENGTH	-2615	FluoroSilicone Rubber	-78° F to 450° F -61° C to 232° C	-NY	LOCKING NYLON PELLET
O-RING SUFFIX	-2701	ENTER FROM TABLE	-5701	Viton A	-20° F to 400° F -29° C to 204° C	-LY	LOCKING NYLON STRIP
OPTIONS	-BLKOX	ENTER FROM TABLE	-4601	Buna N (NBR)	-65° F to 250° F -54° C to 121° C	-TP	LOCKING NYLON STD. PATCH
			-3701	Neoprene (EPR)	-65° F to 300° F -54° C to 149° C	-HTP	HIGH TEMP. LOCKING NYLON PATCH
			-7601	Ethylene Propylene (EPDM)	-65° F to 300° F -54° C to 149° C		

P	ECO-18-0011: ADD COLUMN FOR MINIMUM HEAD DIAMETER	DWN: DAN LAW	CHKD: FK 08.16.18	07.30.18
O	UPDATE FINISHING SPECIFICATION			09.20.13
M	CHANGED RM3X12-2701-BLKOX TO RM3X12MM-2701-BLKOX		S. GOK	05.16.12
L	Cmax. CHANGED + 0.127mm FOR ALL THREAD SIZE		S. GOK	03.16.11
K	CHANGED Cmax of M2 from 4.240 to 4.830		S. GOK	09.09.10

REV.	DESCRIPTION	DATE
	TOLERANCES UNLESS OTHERWISE NOTED .X ±0.1 .XXX ±0.005 .XX ±0.01 < ±1.0° RUBBER: RMA "A3" COMMERCIAL	
	TITLE: SEELSKREW®, METRIC PAN HEAD w/ CROSS RECESS DRIVE	
	ENG.	
	DWN. J. PAULUMBO	12.16.58
	CHKD. FK	09.20.13
	MAT'L: SEE SPECIFICATIONS & COMMON OPTIONS	
	FINISH: SEE SPECIFICATIONS & COMMON OPTIONS	
	SCALE NTS	DWG. NO. RM-0000-00-00



THIS DRAWING IS THE PROPERTY OF APM HEXSEAL CORPORATION AND INCLUDES PROPRIETARY INFORMATION. THIS DRAWING IS NOT TO BE COPIED OR USED WITHOUT THE WRITTEN APPROVAL OF AN OFFICER OF APM HEXSEAL CORPORATION.

X-ON Electronics

Largest Supplier of Electrical and Electronic Components

Click to view similar products for [Screws & Fasteners](#) category:

Click to view products by [APM manufacturer](#):

Other Similar products are found below :

[5721-1440-1/4-SS](#) [593503FX](#) [0098.0094](#) [0098.9206](#) [0098.9219](#) [0098.9262](#) [596-2114-013](#) [59781-6](#) [0098.0026](#) [0098.9210](#) [0098.9212](#) [60227-01](#) [60227-04](#) [60227-08](#) [60687-01](#) [LOCK WASHER Black](#) [62153-11](#) [M316-KSSTMCZ100](#) [M3440-SS](#) [M3442-SS](#) [M3448-SS](#) [6292-1](#) [6-306105-9](#) [6-306131-4](#) [690432-1](#) [699161-000](#) [7230-3](#) [7244](#) [7248-1](#) [7248-2](#) [745564-1](#) [F1209](#) [751-00001](#) [7680](#) [809704-1](#) [8700](#) [8860220](#) [9047](#) [9521](#) [992326-6](#) [992763-3](#) [1-18024-0](#) [1-18028-2](#) [A168P1](#) [A495P1](#) [1-24921-1](#) [125416-1](#) [1260](#) [13-0036](#) [1301810148](#) [1301810313](#)