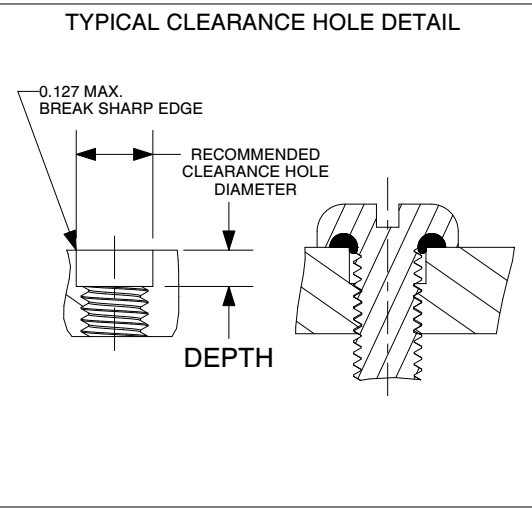


| THREAD SIZE | C | | D max | RECOM. CLEAR. HOLE | | DEPTH | |
|-------------|-------|-------|-------|--------------------|-------|-------|------|
| | min. | max. | | min. | max. | min. | max. |
| M2x0.4 | 3.94 | 4.24 | 1.37 | 2.31 | 2.41 | 0.80 | 1.20 |
| M2x0.45 | 5.21 | 5.56 | 1.73 | 2.93 | 3.03 | 0.90 | 1.35 |
| M3.5x0.5 | 5.87 | 6.22 | 1.91 | 3.55 | 3.65 | 1.00 | 1.50 |
| M3.5X0.6 | 7.14 | 7.52 | 2.26 | 3.97 | 4.10 | 1.20 | 1.80 |
| M4x0.7 | 7.77 | 8.18 | 2.44 | 4.39 | 4.54 | 1.40 | 2.10 |
| M5x0.8 | 9.20 | 9.70 | 3.05 | 5.56 | 5.67 | 1.60 | 2.40 |
| M6x1.0 | 12.01 | 12.50 | 3.73 | 6.73 | 6.83 | 2.00 | 3.00 |
| M8x1.25 | 15.09 | 15.62 | 4.52 | 8.45 | 8.55 | 2.50 | 3.75 |
| M10x1.5 | 18.80 | 19.69 | 5.59 | 10.53 | 10.64 | 3.00 | 4.50 |
| M12x1.75 | 24.51 | 25.27 | 7.11 | 12.79 | 12.90 | 3.50 | 5.25 |



STANDARD SPECIFICATIONS & COMMON OPTIONS (HOW TO ORDER)

STD. SCREW MATERIAL: TYPE 18/8 STAINLESS STEEL PER DFARS (OTHER MATERIALS AVAILABLE)
 STD. SCREW FINISH: NATURAL (PASSIVATED PER AMS2700 UNLESS OTHERWISE SPECIFIED)
 STD. O-RING MATERIAL: SILICONE RUBBER (SEE TABLE FOR O-RING OPTIONS)
 REACH, RoHS, CMRT, PROP 65 COMPLIANT.

| SAMPLE CATALOG NO. | | | AVAILABLE O-RING MATERIALS | | | COMMON OPTIONS | |
|--------------------|--------|------------------------------|----------------------------|---------------------------|--|----------------|--------------------------------------|
| SCREW TYPE | SM | PAN HEAD WITH SLOTTED RECESS | Compound Suffix | Material | Service Temp. | SUFFIX | DESCRIPTION |
| THREAD | 2 | ENTER BASIC THREAD SIZE | -2701 | Silicone Rubber | -150° F to 500° F -101° C to 260° C | -BLKOX | BLACK OXIDE PER MIL-C-13924, CLASS 4 |
| | X | | -2615 | FluoroSilicone Rubber | -78° F to 450° F -61° C to 232° C | -NY | LOCKING NYLON PELLET |
| LENGTH | 8 | ENTER LENGTH | -5701 | Viton A | -20° F to 400° F -29° C to 204° C | -LY | LOCKING NYLON STRIP |
| O-RING SUFFIX | -2701 | ENTER FROM TABLE | -4601 | Buna N (NBR) | -65° F to 250° F -54° C to 121° C | -TP | LOCKING NYLON STD. PATCH |
| OPTIONS | -BLKOX | ENTER FROM TABLE | -3701 | Neoprene (EPR) | -65° F to 300° F -54° C to 149° C | -HTP | HIGH TEMP. LOCKING NYLON PATCH |
| | | | -7601 | Ethylene Propylene (EPDM) | -65° F to 300° F -54° C to 149° C | | |

| | | | | |
|------|---|--------------|-----------------------|----------|
| J | ECO-18-0018: ADD COLUMN FOR MINIMUM HEAD DIAMETER | DWN: DAN LAW | CHKD: FJK/LP 01/04/20 | 01.03.20 |
| I | ADDED "PER DFARS" FOR THE SCREW MATERIAL | | S. GOK | 07.02.09 |
| H | NEW DRAWING FORMAT | | S. GOK | 01.21.09 |
| G | CHANGED TABLE, ADDED M2.5, M3.5, M5, M8, M10, M12 | | S. GOK | 09.09.08 |
| REV. | DESCRIPTION | | | DATE |

| | | | | |
|--|--|--|---|--|
| TOLERANCES UNLESS OTHERWISE NOTED .X ±0.1 .XXX ±0.005 .XX ±0.01 < ±1.0° FOR RUBBER PORTION ONLY: RMA "A3" COMMERCIAL TOLERANCE: PER ISO 1580 ALL DIMENSIONS IN MILLIMETERS MATERIAL & FINISH: SEE SPECIFICATIONS & COMMON OPTIONS | TITLE: SEELSKREW®, METRIC PAN HEAD w/ SLOTTED DRIVE | | ENG. DWN. J. PALUMBO 12.16.58 | |
| | | | CHKD. SCALE DWG. NO. | |
| | | | NTS SM-0000-00-00 | |

THIS DRAWING IS THE PROPERTY OF APM HEXSEAL CORPORATION AND INCLUDES PROPRIETARY INFORMATION. THIS DRAWING IS NOT TO BE COPIED OR USED WITHOUT THE WRITTEN APPROVAL OF AN OFFICER OF APM HEXSEAL CORPORATION.

X-ON Electronics

Largest Supplier of Electrical and Electronic Components

Click to view similar products for [Screws & Fasteners](#) category:

Click to view products by [APM manufacturer](#):

Other Similar products are found below :

[5721-1440-1/4-SS](#) [593503FX](#) [0098.0094](#) [0098.9206](#) [0098.9219](#) [0098.9262](#) [596-2114-013](#) [59781-6](#) [0098.0026](#) [0098.9210](#) [0098.9212](#) [60227-01](#) [60227-04](#) [60227-08](#) [60687-01](#) [LOCK WASHER Black](#) [62153-11](#) [M316-KSSTMCZ100](#) [M3440-SS](#) [M3442-SS](#) [M3448-SS](#) [6292-1](#) [6-306105-9](#) [6-306131-4](#) [690432-1](#) [699161-000](#) [7230-3](#) [7244](#) [7248-1](#) [7248-2](#) [745564-1](#) [F1209](#) [751-00001](#) [7680](#) [809704-1](#) [8700](#) [8860220](#) [9047](#) [9521](#) [992326-6](#) [992763-3](#) [1-18024-0](#) [1-18028-2](#) [A168P1](#) [A495P1](#) [1-24921-1](#) [125416-1](#) [1260](#) [13-0036](#) [1301810148](#) [1301810313](#)