

SPECIFICATIONS:

NUMBER OF PHASES: 2	ROTOR INERTIA: 135 g-cm ² (0.74 oz-in ²) NOM
STEPS PER REVOLUTION: 400	DETENT TORQUE: 25 mNm (3.54 oz-in) MIN
STEP ANGLE: 0.9°	BEARINGS: 608ZZ
STEP TO STEP ACCURACY: ±0.045° [1], [2]	INSULATION CLASS: B
POSITIONAL ACCURACY: ±5% [1], [3]	HYSTERESIS: N/A%
SHAFT RUNOUT: 0.03 mm T.I.R. MAX	TEMP. RISE: 80 °C MAX. [9]
RADIAL PLAY: 0.02 mm MAX (.5KG RADIAL LOAD)	OPERATING TEMP. RANGE: -20 TO +50 °C
END PLAY: 0.08 mm MAX (.5KG AXIAL LOAD)	STORAGE TEMP. RANGE: -30 TO +70 °C
MAXIMUM RADIAL LOAD: 71N (15.96lb)	RELATIVE HUMIDITY RANGE: 15 TO 85 %
MAXIMUM AXIAL LOAD: 15N (3.37lb)	WEIGHT: 0.42 kg (0.93 lb)

	[7]	[8]	[1]	[1]
SPECIFICATION	RESISTANCE PER PHASE (ohm ±10%)	INDUCTANCE PER PHASE (mH ±20%)	RATED CURRENT (amp)	HOLDING TORQUE (Nm MIN)
CONNECTION				HOLDING TORQUE (oz-in Min)
BI-POLAR SERIES	2.0	6.6	1.5	0.48
				67.97

NOTES, UNLESS OTHERWISE SPECIFIED:

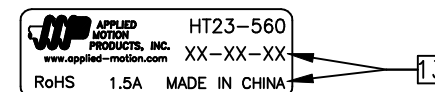
- [1] MEASUREMENTS MADE AT RATED CURRENT IN EACH PHASE.
- [2] BETWEEN ANY TWO ADJACENT FULL STEP POSITIONS.
- [3] MAXIMUM ERROR IN 360°.
4. HIPOT 500 VAC, 60 Hz FOR ONE MINUTE.
- [5] LEADS: 4, AWG 22, 7 STRAND MIN., UL AND CSA APPROVED, UL 1007
6. INSULATION RESISTANCE: 100 MEGOHMS MIN AT 500 VDC.
- [7] AS MEASURED ACROSS EACH PHASE.
- [8] AS MEASURED ACROSS EACH PHASE USING AN A.C. INDUCTANCE BRIDGE AT 1 KHz.
- [9] AS MEASURED BY THE CHANGE IN RESISTANCE METHOD, WITH RATED CURRENT APPLIED TO 2 PHASES; WITH MOTOR AT REST.
- [10] ADD "D" TO END OF PART NUMBER IF DOUBLE SHAFT IS REQUIRED. ENCODER HOLES INCLUDED WITH REAR SHAFT VERSION ONLY.
11. ROTOR & STATOR LAMINATED CONSTRUCTION.
12. THIS MOTOR IS MANUFACTURED IN COMPLIANCE WITH THE CURRENT EU RoHS DIRECTIVE.
- [13] MOTOR LABEL TO INCLUDE "ROHS" COMPLIANT, AMP P/N, 'MADE IN (COUNTRY OF ORIGIN)', AND DATE CODE.
14. HIGH TORQUE MOTOR DESIGN

HT23-560

REVISIONS

ECO NO.	REV	DESCRIPTION	DATE	APPROVED
6947	A	PRELIMINARY RELEASE	4/11/14	D.MACLEOD
7048	B	ERROR CORRECTION	8/11/14	D.MACLEOD
7069	C	MANU. SPEC. CHANGES	9/23/14	D.MACLEOD
7243	D	ERROR CORRECTION	7/1/15	D.MACLEOD
7445	E	REVISE NOTE 12	6/6/16	J KORDIK
7614	F	NO FLAT; REAR SHAFT	4/19/17	J KORDIK
-	-	-	-	-
-	-	-	-	-
-	-	-	-	-
-	-	-	-	-
-	-	-	-	-

LABEL DETAIL

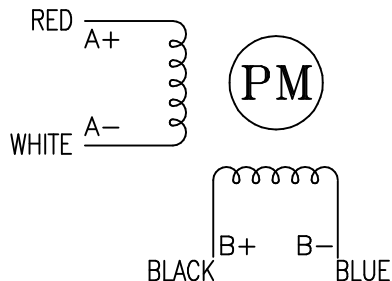


FULL STEP SWITCHING SEQUENCE BI-POLAR, FACING MOUNTING END

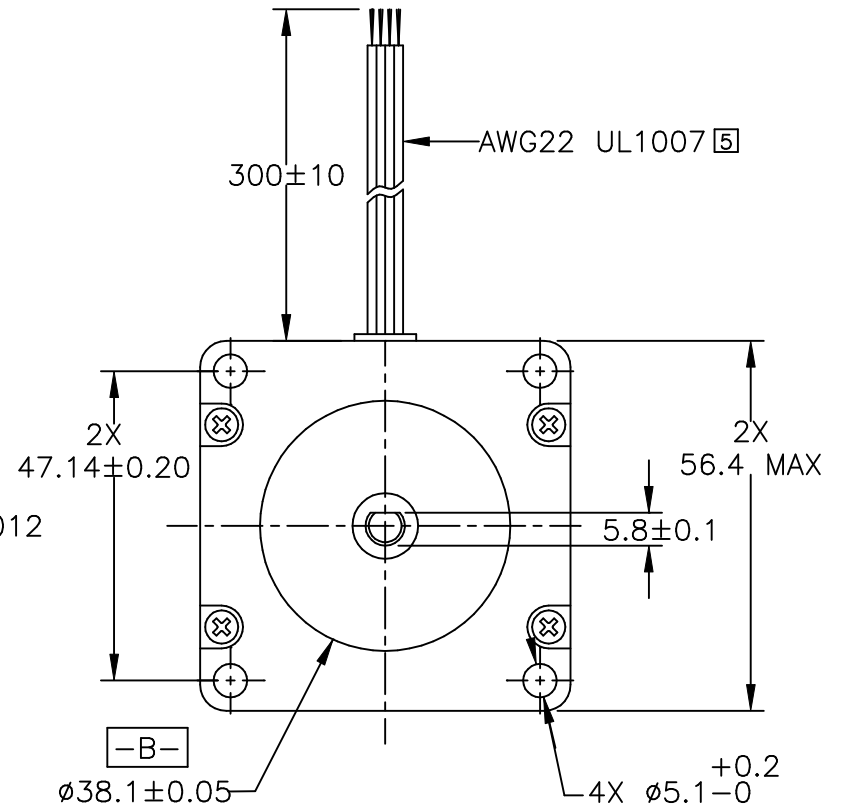
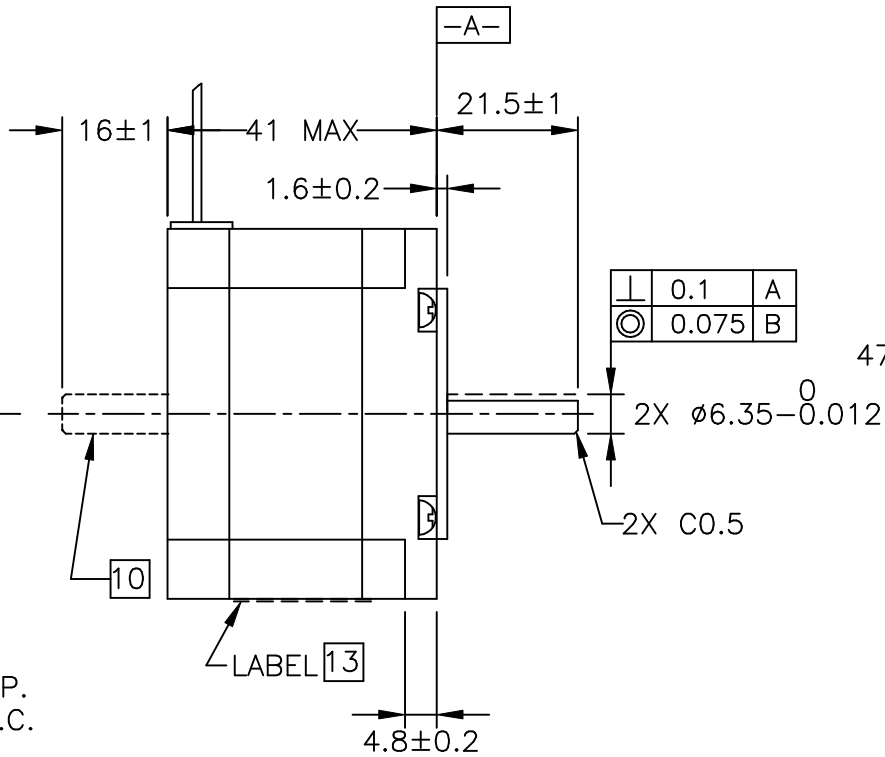
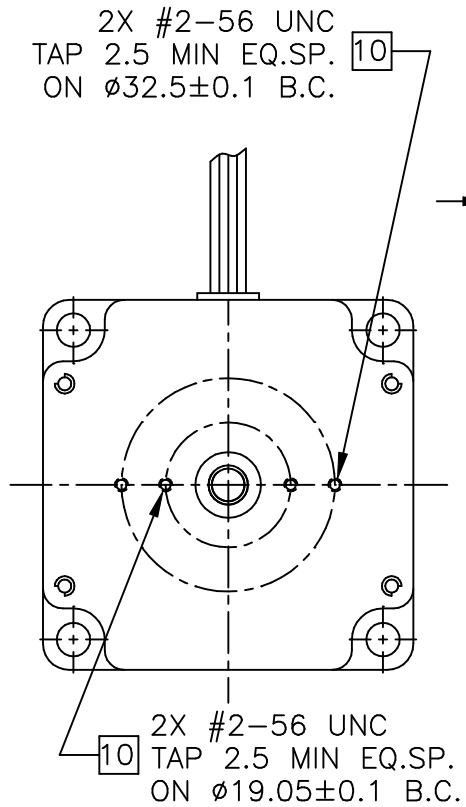
STEP	A+	A-	B+	B-	CCW
0	+	-	+	-	↑
1	-	+	+	-	
2	-	+	-	+	
3	+	-	-	+	
4	+	-	+	-	

↓ CW

PHASE DETAIL



CONTRACT NO. -		APPLIED MOTION PRODUCTS, INC.			
APPROVALS	DATE	STEP MOTOR OUTLINE			
DRAWN K.KESLER	7/1/2015	B		COMPUTER DATA BASE DRAWING	DWG NO. HT23-560
CHECKED -	-			REV F	
APPROVED -	-				
APPROVED -	-	SCALE: NONE		SHEET 1 OF 2	



TOLERANCES	THIRD ANGLE PROJECTION		APPLIED MOTION PRODUCTS, INC.	
*ALL DIMENSIONS IN MM DECIMALS: MM X.XX = ±0.13 X.X = ±0.25 ANGLES: MACH. = ±0.5° CHAM. = ±5°				
	APPROVALS	DATE	STEP MOTOR OUTLINE	
	DRAWN K.KESLER	7/1/2015	B	REV F
	CHECKED -	-	DWG NO. HT23-560	
COMPUTER DATA BASE DRAWING	APPROVED -	-	SCALE: NONE	SHEET 2 OF 2

X-ON Electronics

Largest Supplier of Electrical and Electronic Components

Click to view similar products for [Stepper Motors](#) category:

Click to view products by [Applied Motion](#) manufacturer:

Other Similar products are found below :

[HT17-275](#) [5014-020](#) [HT17-271D](#) [82924041](#) [82924036](#) [82914016](#) [80910502](#) [80910501](#) [80910003](#) [HT23-598](#) [HT08-221](#) [902-0135-000](#)
[MS11HS3P4067-09RL](#) [MS17HD6P4200-24RL](#) [MS11HS5P4150-13RL](#) [MS08HY1P4050-09RL](#) [MS08HY3P4050-02RL](#) [ML24HCAL3550-01RL](#) [MS17HD6P4100-16RL](#) [ML23HS8P4220-16RL](#) [MS17HD2P4200-20RL](#) [ML23HSAL4500-E](#) [MS14HS5P4100-03RL](#) [MS17HD2P4100-27RL](#) [MS14HS1P4100-09RL](#) [MS11HS1P4100-25RL](#) [ML23HSAP4300-18RL](#) [ML23HS4P4100-02RL](#) [PL23HS8L4550-05RL](#)
[PL23HSAL4500-05RL](#) [MS17HD4P4150-22RL](#) [PM42S-048-HHC8](#) [PM20L-020-HHC3](#) [PM42L-048-HHC9](#) [HT34-504](#) [82910003](#) [103H8223-6340](#) [103H7126-0740](#) [103H7126-5840](#) [103H7822-5740](#) [103H8222-6340](#) [SY20STH30-0604A](#) [STEPPER MOTOR: UNIPOLAR/BIPOLAR 57Å—56MM](#) [ROB-10551](#) [STEPPER MOTOR: UNIPOLAR/BIPOLAR 57Å—76MM](#) [103H7123-5740](#) [ROB-13656](#) [902-0097-000](#) [902-0119-000](#) [ROB-10848](#)