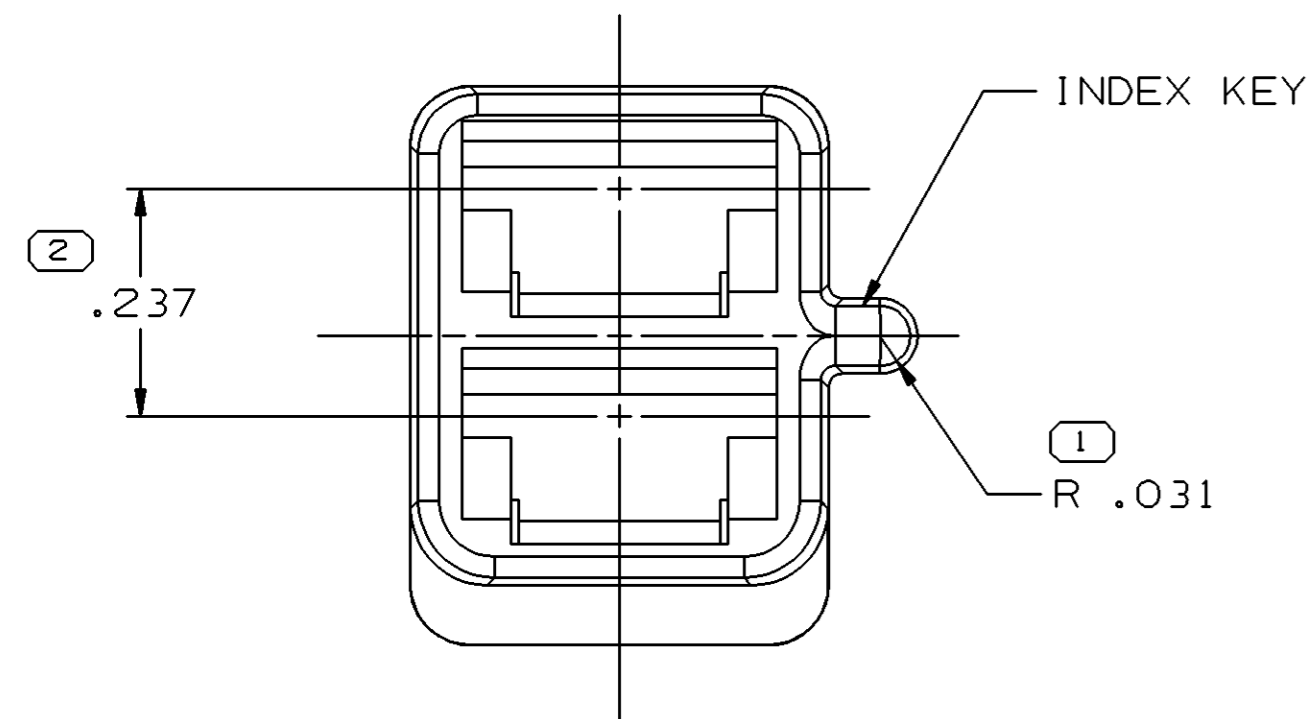
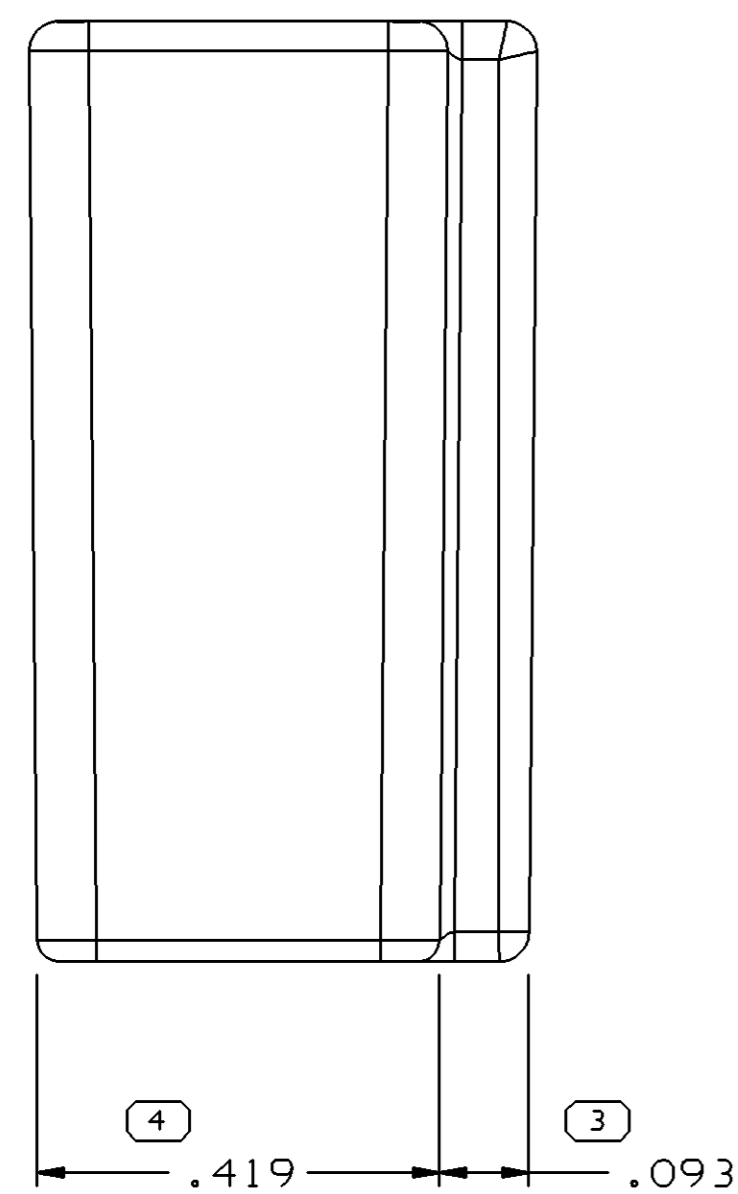
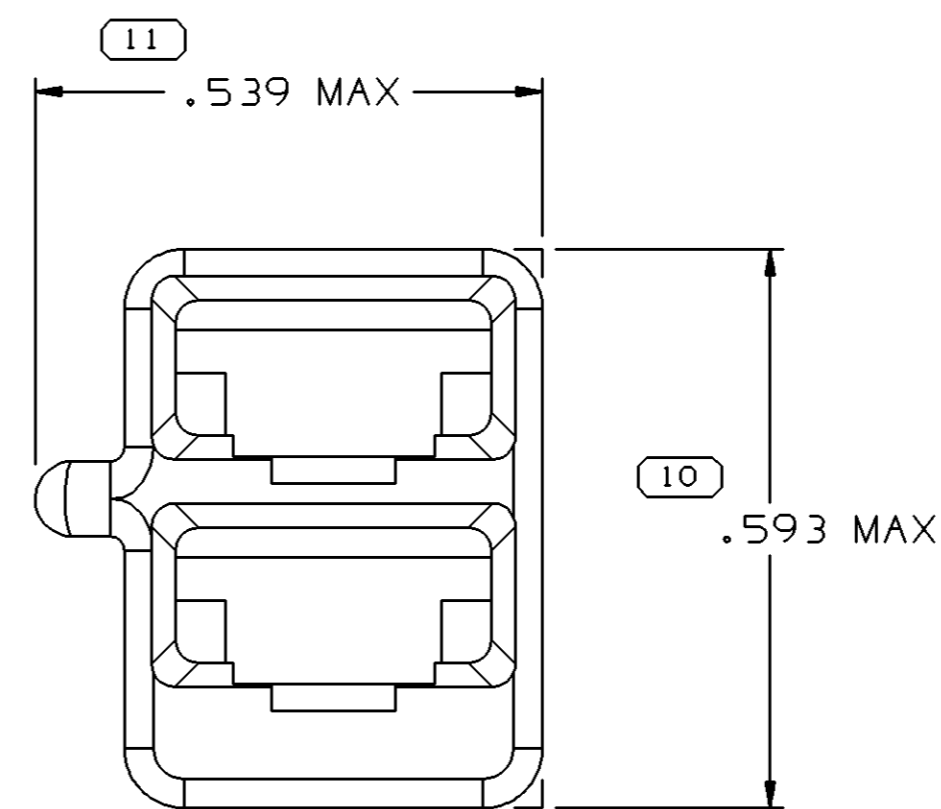
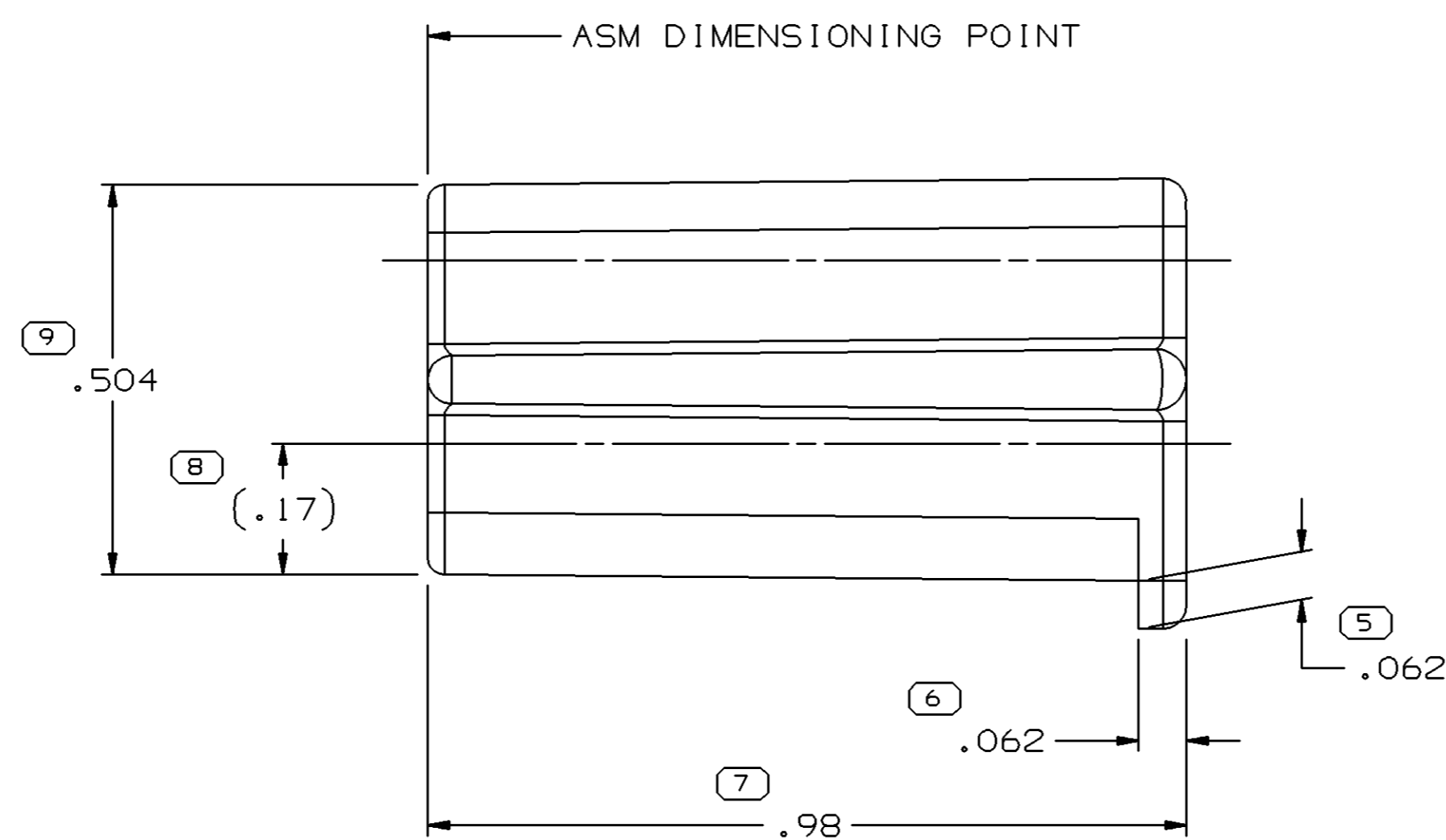
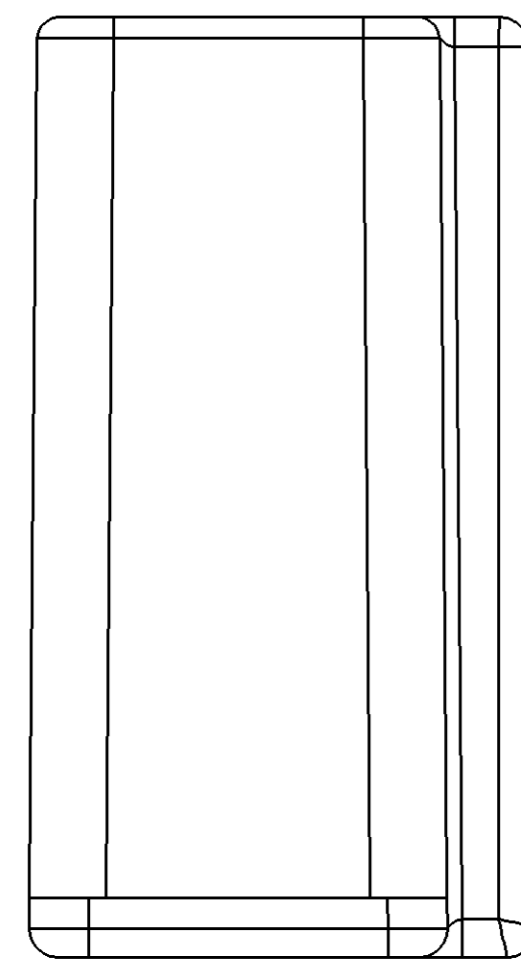


SYMBOL DEFINITION	
A DIMENSION WITHOUT AN INSPECTION REPORT SYMBOL () DOES NOT REQUIRE INSPECTION. IT MAY BE CONTROLLED ON THE INDIVIDUAL COMPONENT DRAWING.	TOTAL NO OF INSPECTIONS REQUIRED 11
	LAST NO. USED 11

MISSING SYMBOLS					DWG STATUS					REVISION HISTORY			AUTH		DR		APVD	
DATE	STG	REV	N/P	CHG	DATE	STG	REV	N/P	CHG	ZONE	REVISION HISTORY			AUTH	DR	APVD 1	APVD 2	
12JL05	R	01	-	-							ALL ACTIVE PARTS - REDRAWN TO PD AND UPDATED MAT'L SPEC			269828	AMG	AMG	ET	
23AU05	R	02	-	-							02962967 - MATERIAL SPEC WAS M0592202			271562	PCP	PCP	ET	



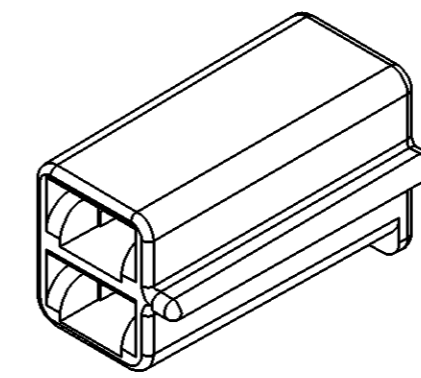
MATING END



CABLE END

NOTES

- UNLESS OTHERWISE SPECIFIED AND/OR INDICATED:
DIMENSIONS ARE TO FACE OF VIEW SHOWN AND AUTOMATICALLY ROUNDED BY COMPUTER FOR INSPECTION (SEE MATH MODEL FOR PRECISE DIMENSIONS). FOR ALL OTHER DIMENSIONS NOT SHOWN BUT REQUIRED FOR TOOL BUILD, SEE MATH MODEL FOR PRECISE TOOL PATH DATA.
- MATERIAL RECYCLING CODE PER ISO 11469. (.100)X(.010) RAISED CHARACTERS AS SHOWN TO BE LOCATED ON ANY EXTERIOR SURFACE. OPTIONAL CONSTRUCTION TO BE NO MATERIAL RECYCLING CODE.
- REFERENCE MATING COMPONENTS OR EQUIVALENT:
CONNECTOR 02977763
- USE 12124501 TERMINAL OR EQUIVALENT.
- (.100)X(.010) RAISED DELPHI CORPORATE BRAND TO BE LOCATED ON ANY EXTERIOR SURFACE, PREFERABLY VISIBLE AT FINAL ASSEMBLY. OPTIONAL CONSTRUCTION TO BE "PED" OR NO LOGO.



VIEW SCALE DOES NOT REFLECT ACTUAL PART SIZE

PART NO	REV	N/P	STATUS	MATERIAL SPECIFICATION AND COLOR	VOLUME CM ³
08900322	D4	-	OBSOLETE	M-520-008 LT GRAY (NY-66)	-
02973872	D5	-		M2043002 PP TD40 BLK	1.823
02962967	D6	-		M0592002 ABS HI IM NAT	1.823

DIMENSIONAL RANGE (IN)		CHART	H		
FROM	0	>.750	>1.250	>2.750	>4.000
TO	.750	1.250	2.750	4.000	

TOLERANCE UNLESS OTHERWISE SPECIFIED
 ±.005 ±.010 ±.012 ±.016 ±.020
 ANGULAR TOLERANCE ±2°

DWG TYPE PART DRAWING	
STYLE	
VOLUME (CM ³) SEE CHART	DISTR CODE D
UNLESS OTHERWISE SPECIFIED THIS DOCUMENT IS IN ACCORDANCE WITH ASME Y14.5M-1994 AS AMENDED BY THE GM GLOBAL DIMENSIONING AND TOLERANCING ADDENDUM-2001. SEPARATE PATTERNS OF FEATURES MAY BE GAGED SEPARATELY REGARDLESS OF DATUM REFERENCES.	
ALL DIMENSIONS ARE IN INCHES	
THIRD ANGLE PROJECTION	
DO NOT SCALE	UNIGRAPHICS

DELPHI	
DELPHI PACKARD ELECTRIC SYSTEMS WARREN, OH	
DR	DATE
APVD1 ANDRES MENDEZ	12JL05
APVD2 ANDRES MENDEZ	12JL05
APVD3 ERIC TRACEY	15JL05
APVD4	
APVD5	
SUBSTANCES OF CONCERN AND RECYCLED CONTENT PER DELPHI 10949001	
MATERIAL SEE CHART	
DRAWING NAME TAXI CONN 2 F 56	
DRAWING NUMBER 02973874	
SIZE A1	SCALE 5:1
FRAME NO 1 OF 1	SHEET NO 1 OF 1
STG R	REV 02
N/P -	

X-ON Electronics

Largest Supplier of Electrical and Electronic Components

Click to view similar products for [Automotive Connectors](#) category:

Click to view products by [APTIV](#) manufacturer:

Other Similar products are found below :

[003-018-000](#) [60403001](#) [60993906-B](#) [629515004020001](#) [M902-2131](#) [M902-2161](#) [72.330.1035.1](#) [73.353.4028.0](#) [F119300-B](#) [F166900](#)
[F258300-B](#) [F358300-B](#) [F407400](#) [F444110](#) [F487000](#) [F509500B-B](#) [827153-1](#) [8N1515-32-24P](#) [9-1326729-8](#) [925474-1](#) [928905-1](#) [964562-4](#)
[968782-1](#) [GT17SA-8DS-HU](#) [98891-1012](#) [98947-1016](#) [12004475-L](#) [12010290](#) [12010309-B](#) [12015454](#) [12020219-B](#) [12020308](#) [12041318-B](#)
[12052225-L](#) [12052466](#) [12059125](#) [12064869](#) [12004327-B](#) [12010503-B](#) [12015308](#) [12015384](#) [12015909](#) [1-21030-1](#) [12041254](#) [12041318](#)
[12047946-B](#) [12047957](#) [12047957-L](#) [12059473](#) [12066261](#)