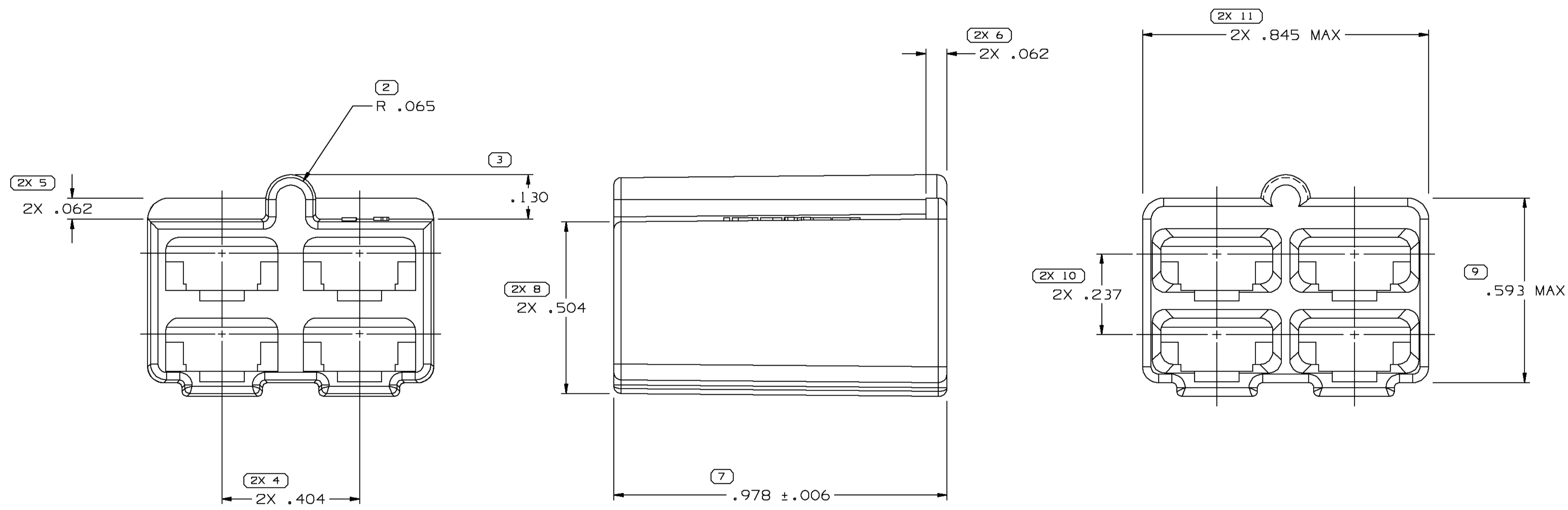
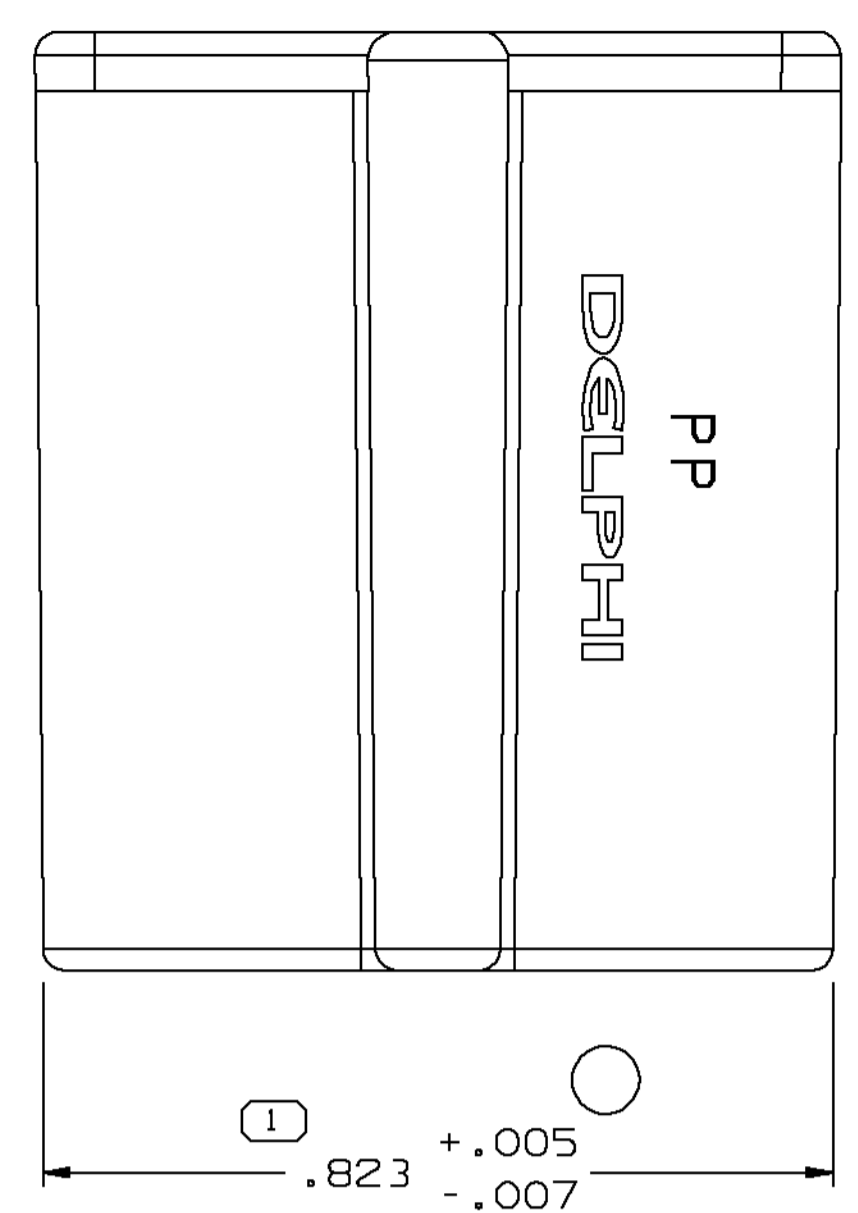
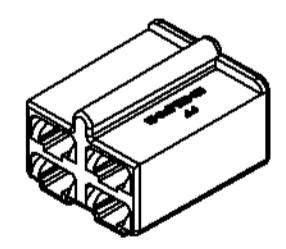


| SYMBOL DEFINITION | |
|--|----------------------------------|
| A DIMENSION WITHOUT AN INSPECTION REPORT SYMBOL () DOES NOT REQUIRE INSPECTION. IT MAY BE CONTROLLED ON THE INDIVIDUAL COMPONENT DRAWING. | TOTAL NO OF INSPECTIONS REQUIRED |
| | 17 |
| | LAST NO. USED |
| | 11 |

| MISSING SYMBOLS | | DWG STATUS | | | | | ZONE | REVISION HISTORY | | AUTH | DR | APVD 1 | APVD 2 |
|-----------------|-----|------------|-----|-----|--|--|------|--|--------|------|----|--------|--------|
| DATE | STG | REV | N/P | CHG | | | | | | | | | |
| 30SE02 | R | J2 | - | - | | | | REDRAWN TO PD, MAT'L SPEC WAS R0067557 & ADDED DELPHI CORPORATE LOGO | 229679 | HH | RH | ET | |
| 31JA03 | R | J3 | - | - | | | | .823 +.005/- .007 WAS .823 +/- .005 | 236330 | CMZ | RH | EM | |



- NOTES
- UNLESS OTHERWISE SPECIFIED AND/OR INDICATED: DIMENSIONS ARE TO FACE OF VIEW SHOWN AND AUTOMATICALLY ROUNDED BY COMPUTER FOR INSPECTION (SEE MATH MODEL FOR PRECISE DIMENSIONS). FOR ALL OTHER DIMENSIONS NOT SHOWN BUT REQUIRED FOR TOOL BUILD, SEE MATH MODEL FOR PRECISE TOOL PATH DATA.
 - MATERIAL RECYCLING CODE >PP< PER SAE J1344. (.1)X(.01) RAISED CHARACTERS AS SHOWN TO BE LOCATED ON ANY EXTERIOR SURFACE. OPTIONAL CONSTRUCTION TO BE NO MATERIAL RECYCLING CODE.
 - MATING COMPONENTS OR EQUIVALENT: CONNECTOR 02973603
 - (.1)X(.01) RAISED DELPHI CORPORATE BRAND TO BE LOCATED ON ANY EXTERIOR SURFACE, PREFERABLY VISIBLE AT FINAL ASSEMBLY. OPTIONAL CONSTRUCTION TO BE "PED" OR NO LOGO.



| | | | |
|--|-----------------------------|--------|--------|
| (7) | PROCESS SENSITIVE DIMENSION | | |
| DIMENSIONS ENCLOSED IN () INDICATE REFERENCE DIMENSIONS AND NO TOLERANCE LIMITS ARE ESTABLISHED | | | |
| FROM | TO | CHART | H |
| 0 | .750 | >1.250 | >2.750 |
| .750 | 1.250 | 2.750 | 4.000 |
| TOLERANCE UNLESS OTHERWISE SPECIFIED | | | |
| ±.005 | | ±.010 | ±.012 |
| ±.016 | | ±.020 | |
| ANGULAR TOLERANCE ±2° | | | |

| | | | |
|--|-------|--------------|--|
| DWG TYPE | | PART DRAWING | |
| STYLE | | | |
| VOLUME (CM ³) | 3.571 | DISTR CODE | |
| ROUTING | | D | |
| 6901 | | | |
| UNLESS OTHERWISE SPECIFIED | | | |
| THIS DOCUMENT IS IN ACCORDANCE WITH ASME Y14.5M-1994 AS AMENDED BY THE GM GLOBAL DIMENSIONING AND TOLERANCING ADDENDUM - 1997. ALL GEOMETRIC TOLERANCES AND RELATED DATUMS APPLY PER THE RULE #1 PERFECT FORM AT MMC DOES NOT APPLY WHEN RELATIONSHIP BETWEEN FEATURES IS ESTABLISHED BY ORIENTATION OR LOCATION TOLERANCES. SEPARATE POSITION CALLOUTS MAY BE GAGED SEPARATELY, REGARDLESS OF DATUM REFERENCE. ALL DIMENSIONS ARE IN INCHES | | | |
| THIRD ANGLE PROJECTION | | | |
| DO NOT SCALE | | UNIGRAPHICS | |
| USE MATH DATA | | | |

DELPHI
DELPHI PACKARD ELECTRIC SYSTEMS
WARREN, OH

| | |
|-------------------|--------|
| DR | DATE |
| APVD1 K. COPE | 02SE62 |
| APVD2 P.E. HEARNS | 02SE62 |
| APVD3 R. KEARNS | 02SE62 |
| APVD4 | |
| APVD5 | |

SUBSTANCES OF CONCERN AND RECYCLED CONTENT PER DELPHI 10949001

MATERIAL M2043002 PP TD40 BLK

DRAWING NAME
CONN 4F 56 BLK

DRAWING NUMBER
02962969

| | | | | | | |
|------|-------|----------|----------|-----|-----|-----|
| SIZE | SCALE | FRAME NO | SHEET NO | STG | REV | N/P |
| A1 | 5:1 | 1 OF 1 | 1 OF 1 | R | J3 | - |

X-ON Electronics

Largest Supplier of Electrical and Electronic Components

Click to view similar products for [Automotive Connectors](#) category:

Click to view products by [APTIV](#) manufacturer:

Other Similar products are found below :

[003-018-000](#) [60403001](#) [60993906-B](#) [629515004020001](#) [M902-2131](#) [M902-2161](#) [72.330.1035.1](#) [73.353.4028.0](#) [F119300-B](#) [F166900](#)
[F258300-B](#) [F358300-B](#) [F407400](#) [F444110](#) [F487000](#) [F509500B-B](#) [827153-1](#) [8N1515-32-24P](#) [9-1326729-8](#) [925474-1](#) [928905-1](#) [964562-4](#)
[968782-1](#) [GT17SA-8DS-HU](#) [98891-1012](#) [98947-1016](#) [12004475-L](#) [12010290](#) [12010309-B](#) [12015454](#) [12020219-B](#) [12020308](#) [12041318-B](#)
[12052225-L](#) [12052466](#) [12059125](#) [12064869](#) [12004327-B](#) [12010503-B](#) [12015308](#) [12015384](#) [12015909](#) [1-21030-1](#) [12041254](#) [12041318](#)
[12047946-B](#) [12047957](#) [12047957-L](#) [12059473](#) [12066261](#)