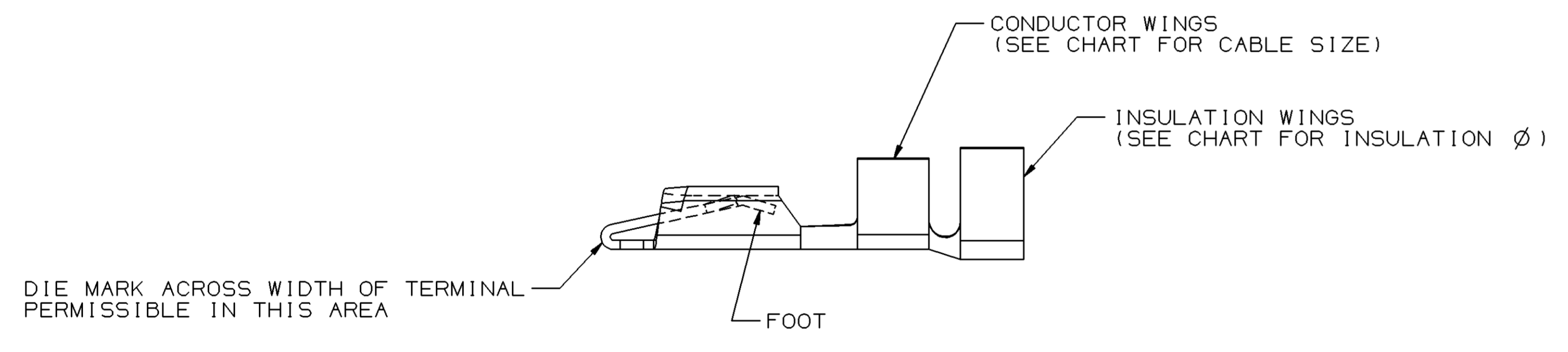
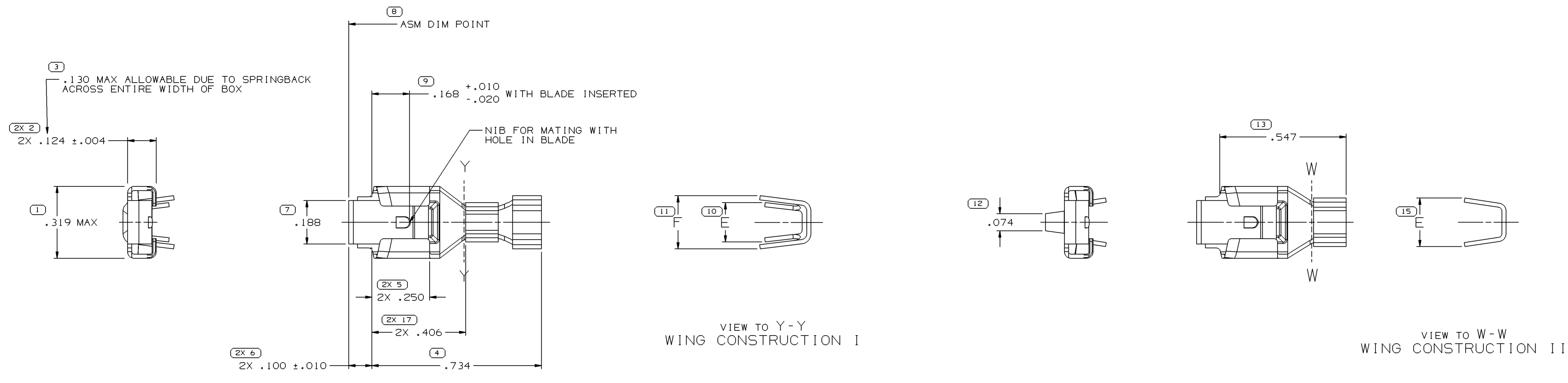


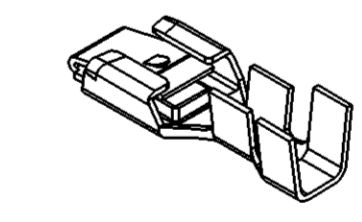
SYMBOL DEFINITION		MISSING SYMBOLS	
A DIMENSION WITHOUT AN INSPECTION REPORT SYMBOL DOES NOT REQUIRE INSPECTION. IT MAY BE CONTROLLED ON THE INDIVIDUAL COMPONENT DRAWING.	TOTAL NO OF INSPECTIONS REQUIRED	NO MISSING SYMBOL NUMBER	
	21		
	LAST NO. USED		
	17		

DATE	STG	REV	N/P	CHO	ZONE	REVISION HISTORY	AUTH	DR	APVD
060003	R	01	-	-		ALL ACTIVE PARTS - WERE SEPARATE DRAWINGS, REDRAWN TO PD AND ADDED NOTE	246206	JAA	JAA
19N003	R	02	-	-		ALL ACTIVE PARTS - UPDATED PDM ATTRIBUTES	247796	JTV	FKV



- NOTES
- UNLESS OTHERWISE SPECIFIED AND/OR INDICATED: DIMENSIONS ARE TO FACE OF VIEW SHOWN AND AUTOMATICALLY ROUNDED BY COMPUTER FOR INSPECTION (SEE MATH MODEL FOR PRECISE DIMENSIONS). FOR ALL OTHER DIMENSIONS NOT SHOWN BUT REQUIRED FOR TOOL BUILD, SEE MATH MODEL FOR PRECISE TOOL PATH DATA.
 - "PXX" INDICATES "P" PLUS LAST TWO DIGITS OF MAKE DIE SERIES NUMBER (P01, P02, P03, ETC).
 - TO FIT .032 X .250 BLADE

VIEW SCALE DOES NOT REFLECT ACTUAL PART SIZE



PART NO	REV	N/P	STATUS	MAT'L SIZE	MAT'L SPEC	PART NO	REV	N/P	STATUS	MAT'L SPEC	PART NO	REV	N/P	STATUS	MAT'L SPEC	NIB	TANG	FOOT	SIZE (MM²)	DIA (MM²)	ID	TYPE	WING CONST	E _{±.015}	F _{±.015}		
12033825	C	-	OBSOLETE	.018 X 1.188	M1546058	-	-	-	-	-	-	-	-	-	-	X	X	X	3	3.65-3.49	12	403	I	.185	.305		
12033734	A	-	OBSOLETE	.018 X 1.188	M1546058	-	-	-	-	-	-	-	-	-	-	X	X	X	3	3.65-3.49	12	403	I	.170	.230		
08911728	A	-	-	.018 X 1.000	M1546051	-	-	-	-	-	-	-	-	-	-	X	X	X	5	-	10	402	II	.210	-		
06294041	C	-	OBSOLETE	.018 X 1.000	M1546051	06294042	C	-	OBSOLETE	M1598051	-	-	-	-	-	X	X	X	5	-	10	402	II	.210	-		
02984478	D	-	OBSOLETE	.018 X 1.000	M1546051	-	-	-	-	-	-	-	-	-	-	X	X	X	3	-	12	402	II	.170	-		
02977554	C	-	OBSOLETE	.018 X 1.000	M1546051	-	-	-	-	-	-	-	-	-	-	X	X	X	3	-	12	402	II	.170	-		
02977188	B	-	OBSOLETE	.018 X 1.188	M1546058	-	-	-	-	-	-	-	-	-	-	X	X	X	3	3.65-3.49	12	401	I	.170	.230		
02965935	C	-	-	.018 X 1.188	M1546058	-	-	-	-	-	-	-	-	-	-	X	X	X	3	3.65-3.49	12	401	I	.170	.230		
02965933	D	-	OBSOLETE	.018 X 1.000	M1546051	12010046	D	-	-	M1598051	02965973	D	-	OBSOLETE	V-1546051	X	X	X	3	-	12	402	II	.170	-		
02965592	B	-	OBSOLETE	.018 X 1.188	M1546058	-	-	-	-	-	-	-	-	-	-	X	X	X	3	3.65-3.49	12	401	I	.170	.230		
02962574	B	-	OBSOLETE	.018 X 1.188	M1546058	02989877	B	-	-	M1598058	02973225	B	-	OBSOLETE	V-1546058	X	X	X	3	3.65-3.49	12	401	I	.170	.230		
02962544	C	-	-	.018 X 1.188	M1546058	02965143	C	-	-	M1598058	02977583	C	-	OBSOLETE	V-1546058	X	X	X	3	3.65-3.49	12	401	I	.170	.230		
PART NO	REV	N/P	STATUS	MAT'L SIZE	MAT'L SPEC	PART NO	REV	N/P	STATUS	MAT'L SPEC	PART NO	REV	N/P	STATUS	MAT'L SPEC	NIB	TANG	FOOT	SIZE (MM²)	DIA (MM²)	ID	TYPE	WING CONST	E _{±.015}	F _{±.015}		
UNPLATED					TIN PLATED					SILVER PLATED																	

PART DRAWING	
STYLE	D
VOLUME (CM³)	
ROUTING	6900
UNLESS OTHERWISE SPECIFIED	
THIS DOCUMENT IS IN ACCORDANCE WITH ASME Y14.5M-1994 AS AMENDED BY THE 2003 DIMENSIONING AND TOLERANCING ADDENDUM (Y14.5M-2003). SEPARATE PATTERNING OF FEATURES MAY BE GIVEN SEPARATELY REGARDLESS OF DATUM REFERENCE.	
ALL DIMENSIONS ARE IN INCHES	
REFERENCE	
2 PROCESS SENSITIVE DIMENSION	CHART 2
DIMENSIONS ENCLOSED IN () INDICATE REFERENCE DIMENSIONS AND NO TOLERANCE LIMITS ARE ESTABLISHED	
FROM TO	0 TO >500
TOLERANCE UNLESS OTHERWISE SPECIFIED	
±.005	±.010
ANGULAR TOLERANCE 12°	
THIRD ANGLE PROJECTION	DO NOT SCALE
USE MATH DATA	UNSPRINGS

DELPHI
DELPHI PACKARD ELECTRIC SYSTEMS
WARREN, OH

DR	DATE
APVD1 J.S. ALVARADO	060003
APVD2 J.S. ALVARADO	140003
APVD3 RICHARD DICINTIO	160003
APVD4	
APVD5	
SUBSTANCES OF CONCERN AND RECYCLED CONTENT PER DELPHI 10949001	
MATERIAL SEC CHART	
DRAWING NAME	TAXI TERM F 56 STR
DRAWING NUMBER	02962874
SIZE A0	SCALE 5:1
FRAME NO 1	SHEET NO 4 OF 4
REV R	REV 02

X-ON Electronics

Largest Supplier of Electrical and Electronic Components

Click to view similar products for [Automotive Connectors](#) category:

Click to view products by [APTIV](#) manufacturer:

Other Similar products are found below :

[003-018-000](#) [60403001](#) [60993906-B](#) [629515004020001](#) [M902-2131](#) [M902-2161](#) [72.330.1035.1](#) [73.353.4028.0](#) [F119300-B](#) [F166900](#)
[F258300-B](#) [F358300-B](#) [F407400](#) [F444110](#) [F487000](#) [F509500B-B](#) [827153-1](#) [8N1515-32-24P](#) [9-1326729-8](#) [925474-1](#) [928905-1](#) [964562-4](#)
[968782-1](#) [GT17SA-8DS-HU](#) [98891-1012](#) [98947-1016](#) [12004475-L](#) [12010290](#) [12010309-B](#) [12015454](#) [12020219-B](#) [12020308](#) [12041318-B](#)
[12052225-L](#) [12052466](#) [12059125](#) [12064869](#) [12004327-B](#) [12010503-B](#) [12015308](#) [12015384](#) [12015909](#) [1-21030-1](#) [12041254](#) [12041318](#)
[12047946-B](#) [12047957](#) [12047957-L](#) [12059473](#) [12066261](#)