

DO NOT SCALE

THIS DRAWING AND DESIGN HEREON CONSTITUTE A PROPRIETARY DESIGN OF PACKARD ELECTRIC DIVISION AND IS NOT TO BE DUPLICATED OR REPRODUCED WITHOUT AUTHORITY OF PACKARD ELECTRIC DIVISION.

D

PART NO.

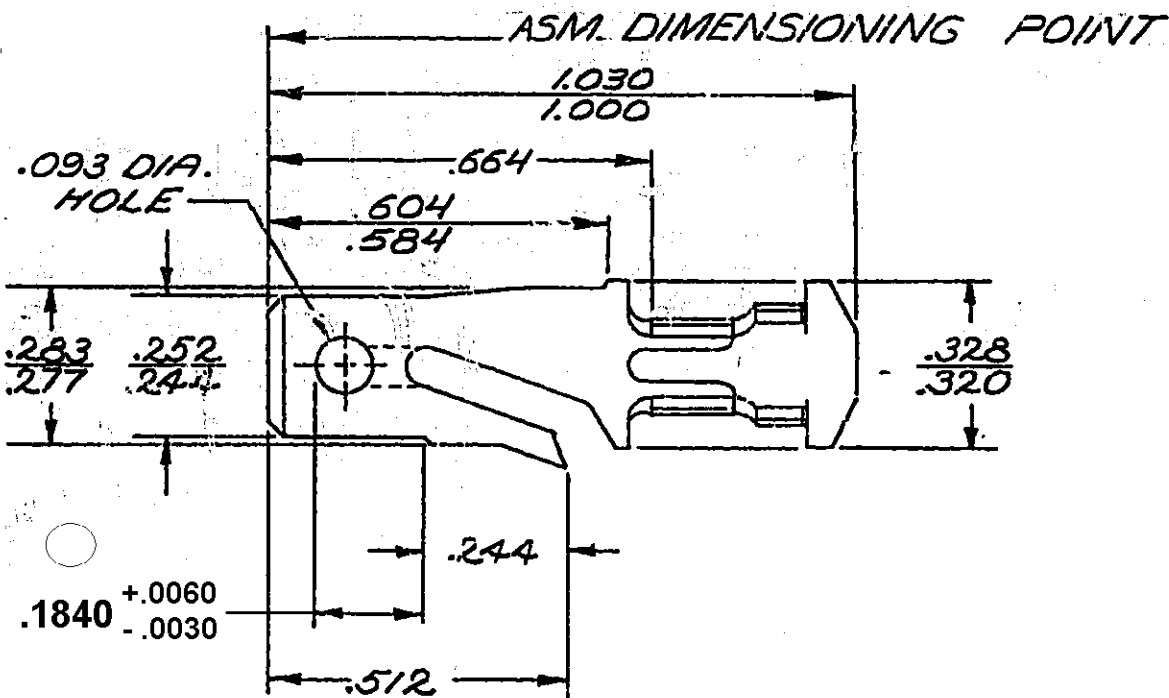
2965439

SIZE

A

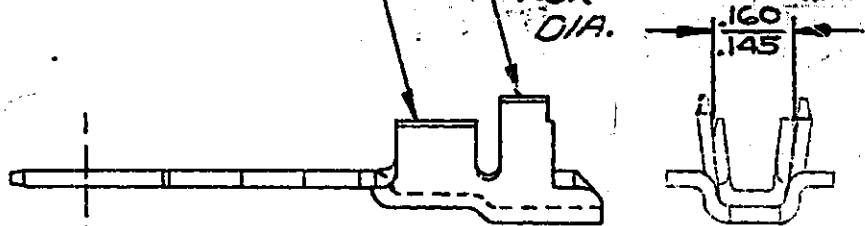
PACKARD ELECTRIC DIVISION  
GENERAL MOTORS CORPORATION  
WARREN, OHIO

12-A  
PEB-A  
63-R  
78-R  
311 R  
320-R  
330-R  
350-R  
900-R  
952-R  
952T-R  
ACS-V  
PEB-R  
2460-R  
3200-R  
2252-R  
2371-R  
41-A



CONDUCTOR WINGS FOR 0.8MM<sup>2</sup> CABLE.

INSULATION WINGS FOR 3.13 MM MAX INSUL. DIA.



-OUTLINE DRAWING-

DATE	SYM	REVISION RECORD	C/N NO.
12-23-59	Q	REVISED & REDRAWN	21342
6-15-60	Q	VIEW & .050 DIM. ADDED	1808
2-9-61	Q	123 WAS 155	3830
9-13-66	Q	DIM. & DIMENSIONING POINT REVISED	25293
		MAT'L SPEC WAS .032	
		BRASS-TIN PLATED	
8-6-69	Q	2962864 "D" SIZE SHT #1 WAS 2962864-D	36500
04SE79	-	CABLE REVISED TO METRIC	70845
01SE82	-	PICTURE REVISED	82155
01AUB3	AY	REV. SYM. ADVANCED	86126
05DE05	AY5	ADDED DIM .1840 +.0060/- .0030 AND REMOVED DIM (1 PLC)	274727

CODE NO. 6900  
TOLERANCE UNLESS OTHERWISE SPECIFIED  
DECIMAL ±.005  
FRACTIONAL  
ANGULAR ± 2°

DWG. DATE 2-28-57 SCALE NONE DR. PLYLER  
ROUTING DEPT. OUTST. APPR. PLYLER 1-8-60  
REFERENCE APPR. PLYLER 1-11-60  
2962864 "D" SIZE -SHT. #1 APPR. PLYLER 1-11-60

MATERIAL SPEC .0320 THK. SAE CA 260 - BRASS  
1/2 HARD - TIN PLATED  
NAME TERMINAL-MALE-'56 SERIES

PART NO. 2965439  
SIZE A

## X-ON Electronics

Largest Supplier of Electrical and Electronic Components

*Click to view similar products for [Automotive Connectors](#) category:*

*Click to view products by [APTIV](#) manufacturer:*

Other Similar products are found below :

[003-018-000](#) [60403001](#) [60993906-B](#) [629515004020001](#) [M902-2131](#) [M902-2161](#) [72.330.1035.1](#) [73.353.4028.0](#) [F119300-B](#) [F166900](#)  
[F258300-B](#) [F358300-B](#) [F407400](#) [F444110](#) [F487000](#) [F509500B-B](#) [827153-1](#) [8N1515-32-24P](#) [9-1326729-8](#) [925474-1](#) [928905-1](#) [964562-4](#)  
[968782-1](#) [GT17SA-8DS-HU](#) [98891-1012](#) [98947-1016](#) [12004475-L](#) [12010290](#) [12010309-B](#) [12015454](#) [12020219-B](#) [12020308](#) [12041318-B](#)  
[12052225-L](#) [12052466](#) [12059125](#) [12064869](#) [12004327-B](#) [12010503-B](#) [12015308](#) [12015384](#) [12015909](#) [1-21030-1](#) [12041254](#) [12041318](#)  
[12047946-B](#) [12047957](#) [12047957-L](#) [12059473](#) [12066261](#)