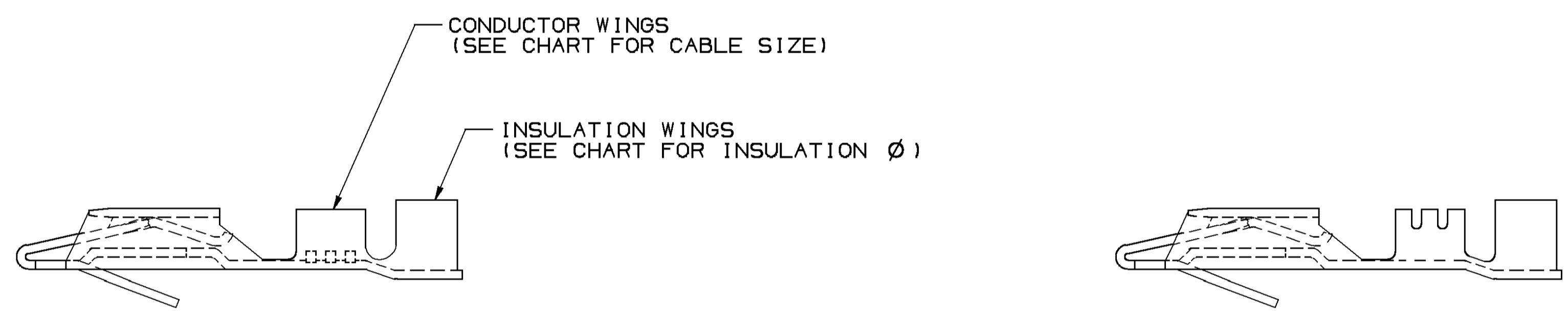
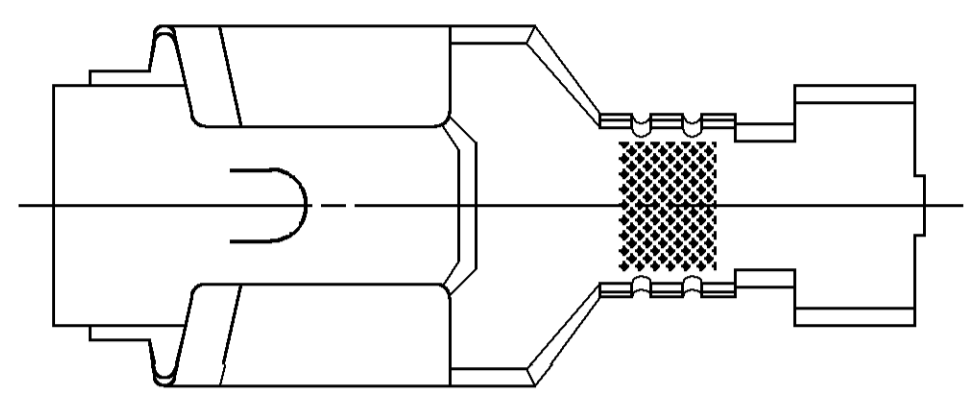
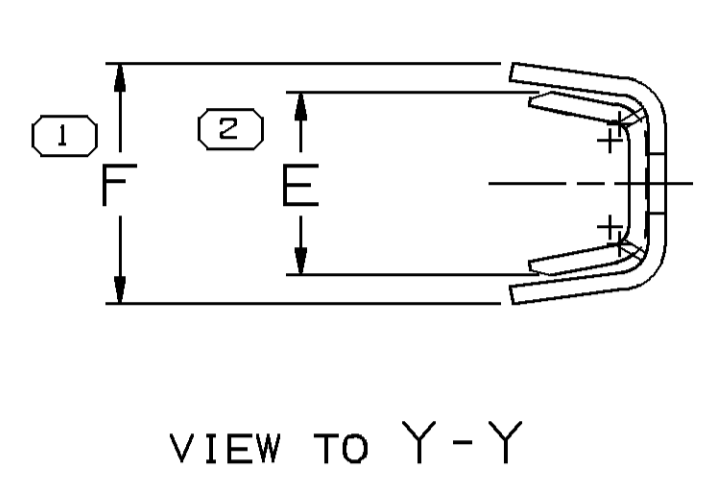
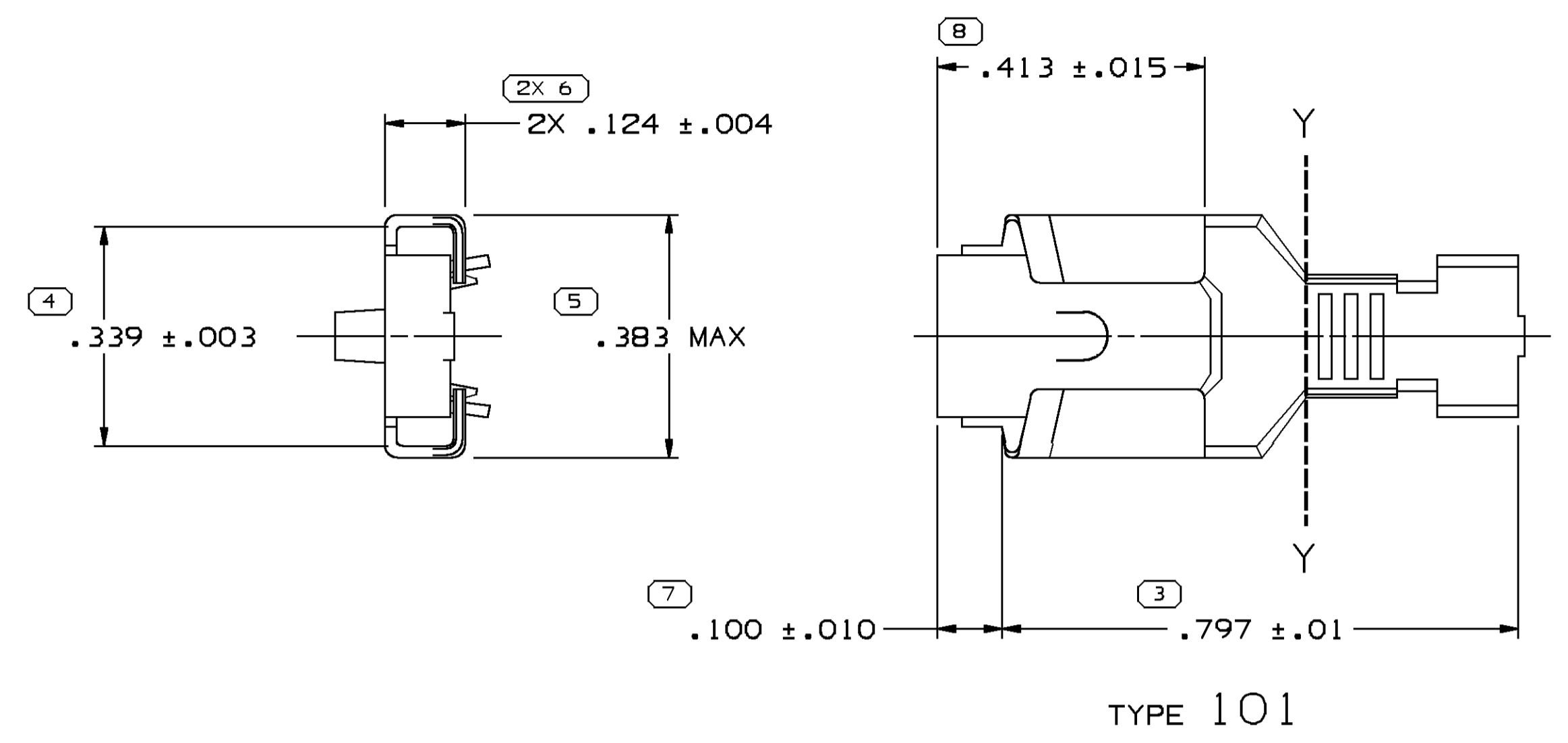


SYMBOL DEFINITION		
A DIMENSION WITHOUT AN INSPECTION REPORT SYMBOL () DOES NOT REQUIRE INSPECTION. IT MAY BE CONTROLLED ON THE INDIVIDUAL COMPONENT DRAWING.	TOTAL NO OF INSPECTIONS REQUIRED	9
	LAST NO. USED	8

MISSING SYMBOLS					DWG STATUS		REVISION HISTORY			AUTH	DR	APVD 1	APVD 2		
DATE	STG	REV	N/P	CHG	ZONE	DATE	STG	REV	N/P	CHG	DATE	STG	REV	N/P	CHG
12N003	R	01	-	-		12N003	R	01	-	-	247796	LOA	FKV	RD	
17MR04	R	02	-	-		12033979	R	02	-	-	252842	ADK	ADK	ET	
29N006	R	03	-	-							287336	SGM	SGM	MO	
01JL10	R	04	-	-							411249	HRS	HRS	RRR	



- NOTES
- UNLESS OTHERWISE SPECIFIED AND/OR INDICATED: DIMENSIONS ARE TO FACE OF VIEW SHOWN AND AUTOMATICALLY ROUNDED BY COMPUTER FOR INSPECTION (SEE MATH MODEL FOR PRECISE DIMENSIONS). FOR ALL OTHER DIMENSIONS NOT SHOWN BUT REQUIRED FOR TOOL BUILD, SEE MATH MODEL FOR PRECISE TOOL PATH DATA.
 - "PXX" INDICATES "P" PLUS LAST TWO DIGITS OF MAKE DIE SERIES NUMBER (PO1, PO2, PO3, ETC).
 - DO NOT PROBE, TEST OR OTHERWISE CONTACT THE INTERIOR REGION (THE SPRING OR ANY MOVING PART) OF THIS TERMINAL. SEVERE DAMAGE CAN OCCUR, COMPROMISING THE PERFORMANCE OF THE ELECTRICAL INTERFACE.

PART NO	REV	N/P	STATUS	MAT'L SIZE	MAT'L SPEC	PART NO	REV	N/P	STATUS	MAT'L SPEC	TYPE	SIZE (MM)	DIA (MM)	ID	NIB	TANG	FEATURES	
				.018X1.500		12033980	A3	-			M1573068	102	0.8-0.5	3.13-2.03	19	X	-	.125 .195
				.018X1.500		12033979	A3	-			M1573068	102	0.8-0.5	3.13-2.03	19	-	X	.125 .195
12033977	A		OBSOLETE	.018X1.500	M1403068	12033978	A3	-			M1573068	102	0.8-0.5	3.13-2.03	19	X	X	.125 .195
				.018X1.500		12015685	D	-	OBSOLETE		M1573068	101	0.8-0.5	3.13-2.69	19	X	-	.135 .185
				.018X1.500		06288815	AH	3			M1573068	101	TWO 0.8-0.5	2.40-2.03	2.19	-	X	.190 .250
				.018X1.500		06288814	AJ	-	OBSOLETE		M1573068	101	0.8-0.5	2.40-2.03	19	-	X	.135 .175
				.018X1.500		06288811	AG	-	OBSOLETE		M1573068	101	TWO 2.0-1.0	3.97-3.36	2.15	-	X	.230 .385
				.018X1.500		06288810	AG	3			M1573068	101	TWO 2.0-1.0	3.05-2.48	2.15	-	X	.230 .305
				.018X1.500		06288809	AH	3			M1573068	101	2.0-1.0	3.97-3.36	15	-	X	.155 .230
				.018X1.500		06288808	AH	3			M1573068	101	2.0-1.0	3.05-2.48	15	-	X	.155 .185
				.018X1.500		06288785	AH	-	OBSOLETE		M1573068	101	0.8-0.5	3.13-2.69	19	X	X	.135 .185
02984149	AG		OBSOLETE	.018X1.500	M1403068	02984008	AG	3			M1573068	101	TWO 2.0-1.0	3.97-3.36	2.15	X	X	.230 .385
02984148	AH		OBSOLETE	.018X1.500	M1403068	02977448	AH	3			M1573068	101	2.0-1.0	3.97-3.36	15	X	X	.155 .230
02973105	AH		OBSOLETE	.018X1.500	M1403068	02973216	AH	3			M1573068	101	2.0-1.0	3.05-2.48	15	X	X	.155 .185
02973104	AG		OBSOLETE	.018X1.500	M1403068	02973215	AG	3			M1573068	101	TWO 2.0-1.0	3.05-2.48	2.15	X	X	.230 .305
02973236	AJ		OBSOLETE	.018X1.500	M1403068	02965805	AJ	-	OBSOLETE		M1573068	101	0.8-0.5	2.4-2.03	19	X	X	.135 .175
02973235	AH		OBSOLETE	.018X1.500	M1403068	02965806	AH	3			M1573068	101	TWO 0.8-0.5	2.4-2.03	2.19	X	X	.190 .250
				UNPLATED														

DWG TYPE: PART DRAWING

STYLE: _____

VOLUME (C/P): _____

DISTR CODE: **D**

UNLESS OTHERWISE SPECIFIED THIS DOCUMENT IS IN ACCORDANCE WITH ASME Y14.5M-1994 AS MODIFIED BY THE GM GLOBAL DIMENSIONING AND TOLERANCING ADDENDUM-2001. SEPARATE PATTERNS OF FEATURES MAY BE BAGGED SEPARATELY REGARDLESS OF DATUM REFERENCES.

ALL DIMENSIONS ARE IN INCHES

REFERENCE: _____

THIRD ANGLE PROJECTION

DO NOT SCALE

USE MATH DATA

ANGULAR TOLERANCE ±2°

DELPHI

DELPHI PACKARD ELECTRICAL/ELECTRONIC ARCHITECTURE
WARREN, OH

DR	DATE
APVD1 LUIS ORDUNA A.	12N003
APVD2 FCO. W. KOPKA	14N003
APVD3 RICHARD DICINTIO	26N003
APVD4	
APVD5	

SUBSTANCES OF CONCERN AND RECYCLED CONTENT PER DELPHI 10949001

MATERIAL SEE CHART

DRAWING NAME: TAXI TERM F 59 SERIES

DRAWING NUMBER: **02962867**

SIZE	SCALE	FRAME NO	SHEET NO	STG	REV	N/P
A1	5:1	1 OF 1	1 OF 3	R	04	-

X-ON Electronics

Largest Supplier of Electrical and Electronic Components

Click to view similar products for [Automotive Connectors](#) category:

Click to view products by [APTIV](#) manufacturer:

Other Similar products are found below :

[003-018-000](#) [60403001](#) [60993906-B](#) [629515004020001](#) [M902-2131](#) [M902-2161](#) [72.330.1035.1](#) [73.353.4028.0](#) [F119300-B](#) [F166900](#)
[F258300-B](#) [F358300-B](#) [F407400](#) [F444110](#) [F487000](#) [F509500B-B](#) [827153-1](#) [8N1515-32-24P](#) [9-1326729-8](#) [925474-1](#) [928905-1](#) [964562-4](#)
[968782-1](#) [GT17SA-8DS-HU](#) [98891-1012](#) [98947-1016](#) [12004475-L](#) [12010290](#) [12010309-B](#) [12015454](#) [12020219-B](#) [12020308](#) [12041318-B](#)
[12052225-L](#) [12052466](#) [12059125](#) [12064869](#) [12004327-B](#) [12010503-B](#) [12015308](#) [12015384](#) [12015909](#) [1-21030-1](#) [12041254](#) [12041318](#)
[12047946-B](#) [12047957](#) [12047957-L](#) [12059473](#) [12066261](#)