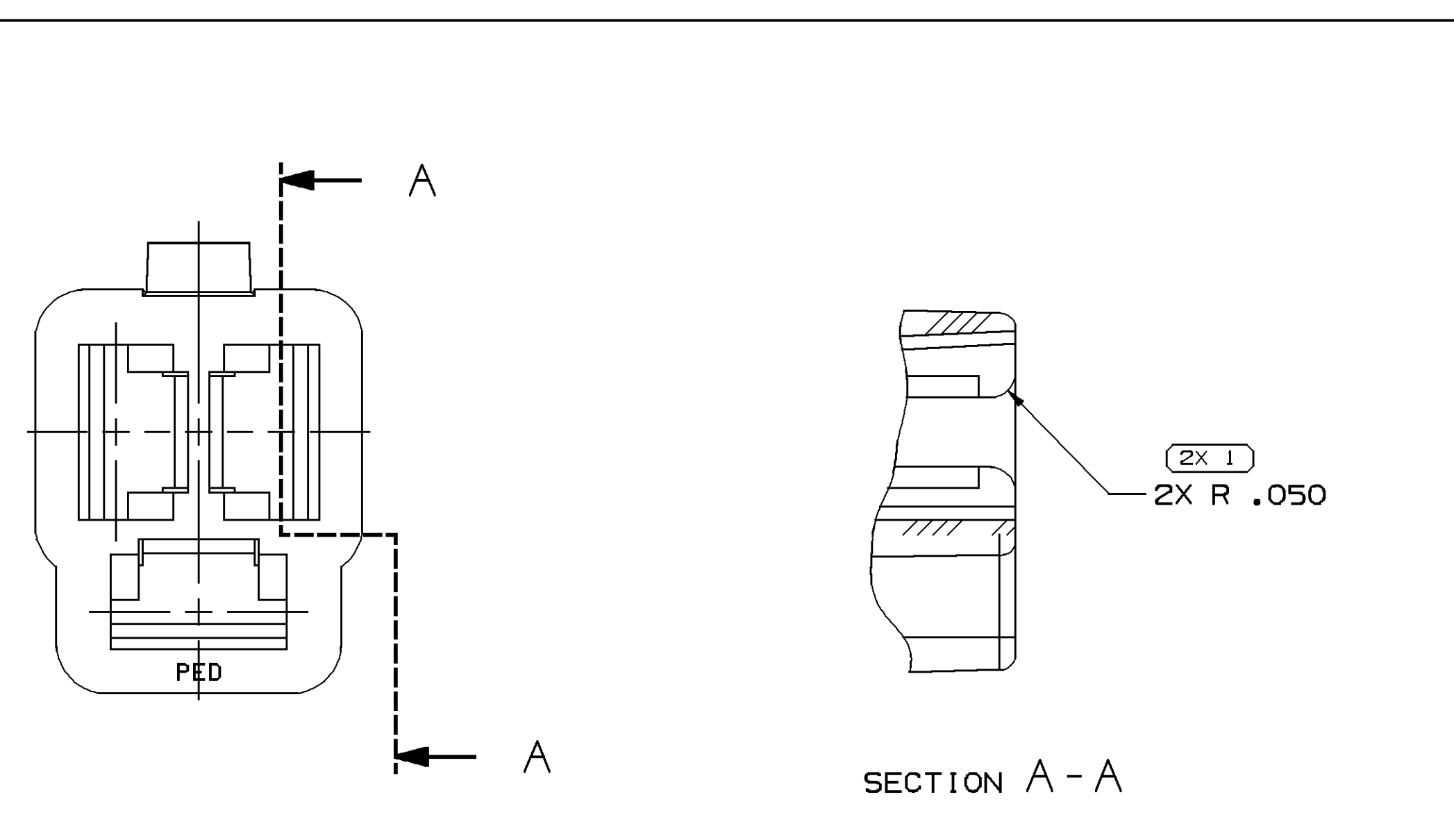
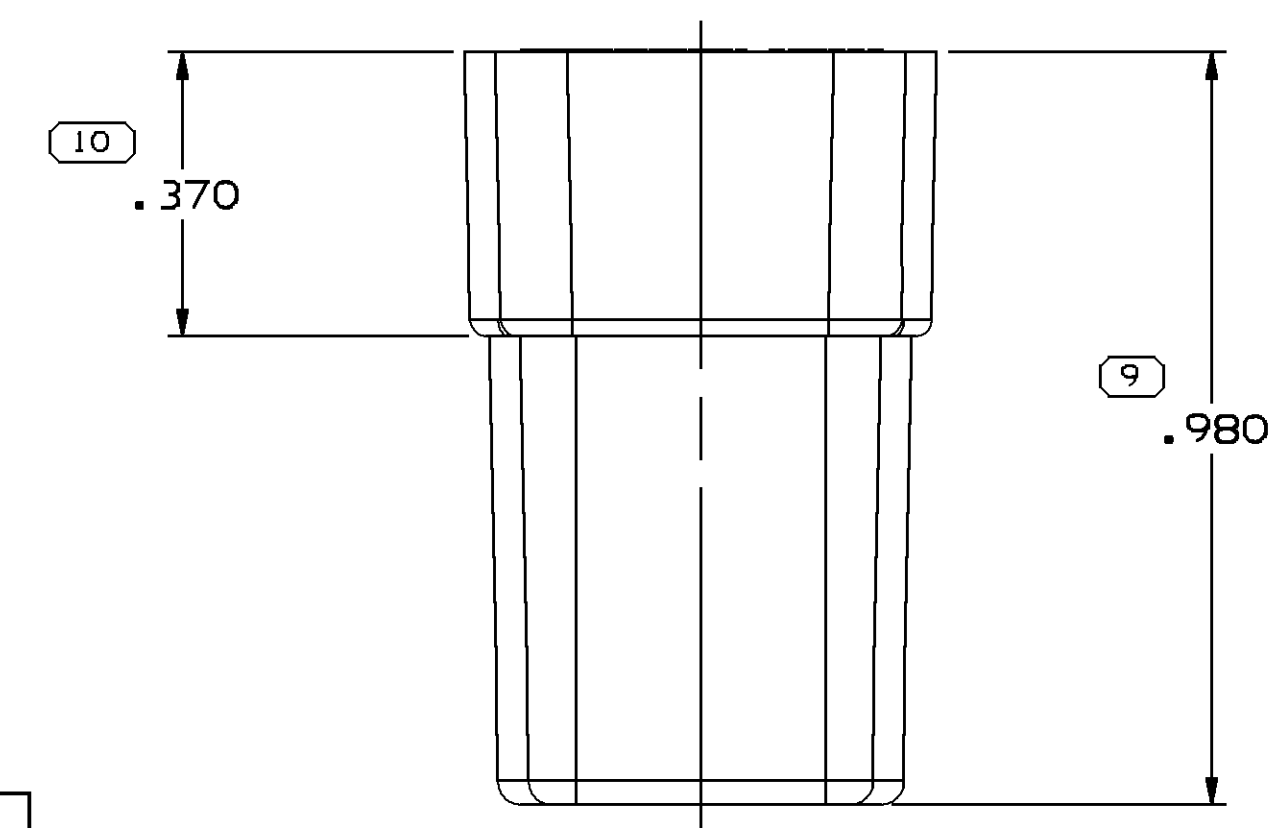
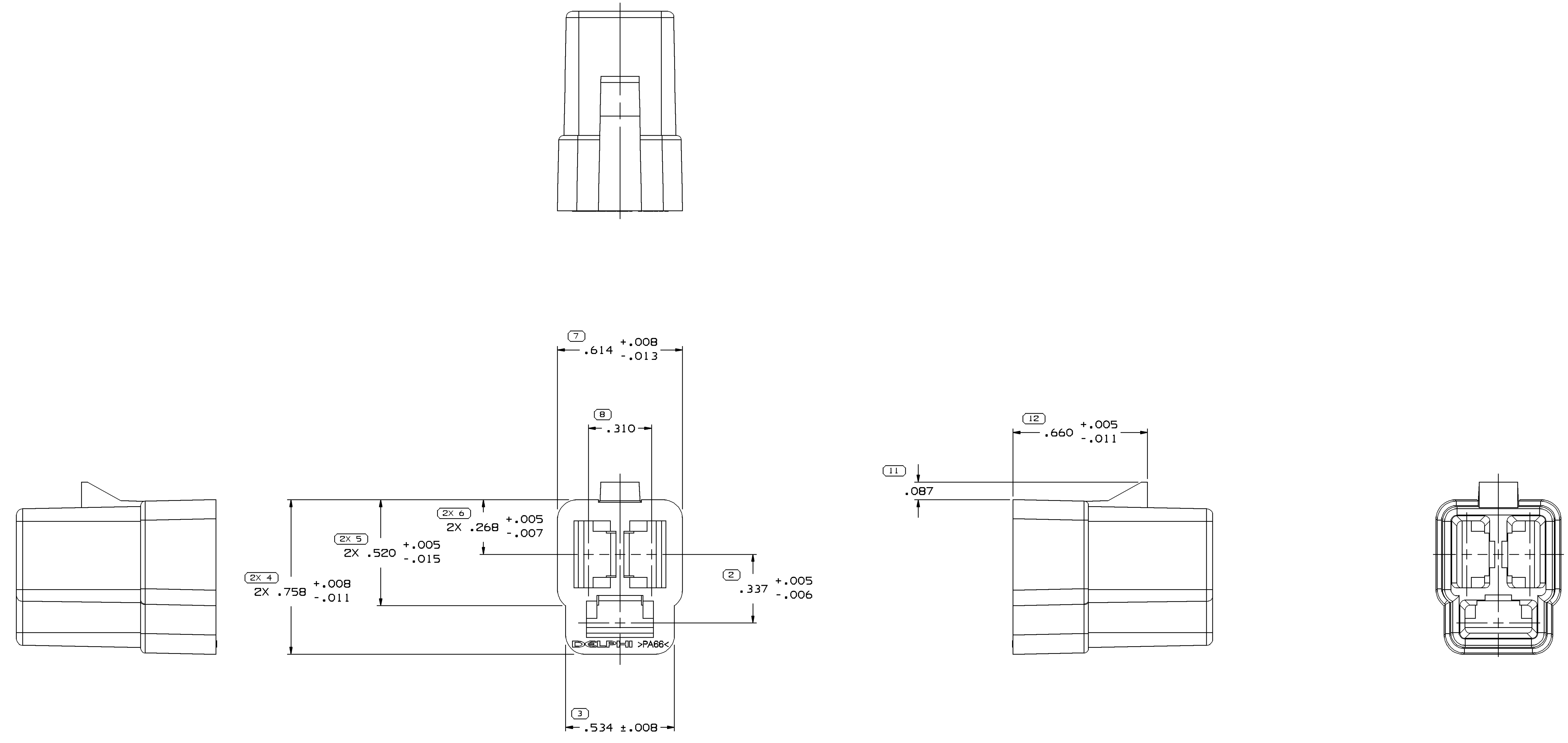
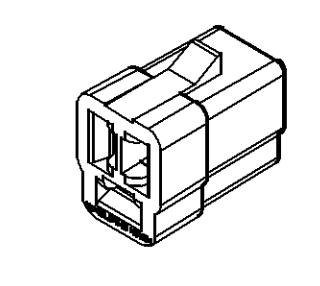


SYMBOL DEFINITION		TOTAL NO OF INSPECTIONS REQUIRED	MISSING SYMBOLS
A DIMENSION WITHOUT AN INSPECTION REPORT SYMBOL DOES NOT REQUIRE INSPECTION. IT MAY BE CONTROLLED ON THE INDIVIDUAL COMPONENT DRAWING.		16	NO MISSING SYMBOL NUMBER
LAST NO. USED		12	

DWG STATUS				REVISION HISTORY		AUTH	DR	APVD 1	APVD 2
DATE	STG	REV	N/P	CHG	ZONE				
20JAO4	R	01	-	-		ALL PARTS - REDRAWN TO PD	249069	RCH	EESF ET
10JNO4	R	02	-	-		REVISED TOLERANCES (6 PLCS)	255891	EES	EES ET
09MRO6	R	03	-	-		08900542 - MAT'L SPEC WAS M3592002	278375	JOA	FRG PYP



- NOTES
- UNLESS OTHERWISE SPECIFIED AND/OR INDICATED: DIMENSIONS ARE TO FACE OF VIEW SHOWN AND AUTOMATICALLY ROUNDED BY COMPUTER FOR INSPECTION (SEE MATH MODEL FOR PRECISE DIMENSIONS). FOR ALL OTHER DIMENSIONS NOT SHOWN BUT REQUIRED FOR TOOL BUILD, SEE MATH MODEL FOR PRECISE TOOL PATH DATA.
 - MATERIAL RECYCLING CODE PER ISO 11469. (1.030)(1.003) RAISED CHARACTERS AS SHOWN TO BE LOCATED ON ANY EXTERIOR SURFACE. OPTIONAL CONSTRUCTION TO BE NO MATERIAL RECYCLING CODE.
 - (1.030)(1.003) RAISED DELPHI CORPORATE BRAND TO BE LOCATED ON ANY EXTERIOR SURFACE, PREFERABLY VISIBLE AT FINAL ASSEMBLY. OPTIONAL CONSTRUCTION TO BE "PED" OR NO LOGO.



PART NO	REV	N/P	STATUS	MATERIAL SPECIFICATION AND COLOR	VOL CM ³
08900542	04	-		M3592024 PA66 HS IM CRM	3.330
02984378	C2	-		M2043002 PP TD40 BLK	3.330
02977045	C2	-		M2043001 PP TD40 GRA	3.330

DIMENSIONS ENCLOSED IN () INDICATE REFERENCE DIMENSIONS AND NO TOLERANCE LIMITS ARE ESTABLISHED	
DIMENSIONAL RANGE (IN)	CHART IN
FROM 0	>.750 >1.250 >2.750
TO .750	1.250 2.750 4.000
TOLERANCE UNLESS OTHERWISE SPECIFIED	
1.000	1.000 1.002 1.015 1.050
ANGULAR TOLERANCE ±2°	

PART DRAWING	
VOLUME (CM ³)	0181R CODE
SEE CHART	D
UNLESS OTHERWISE SPECIFIED	
THIS DOCUMENT IS IN ACCORDANCE WITH ASME Y14.5M-1994 AS MODIFIED BY THE IN-SITU DIMENSIONING AND TOLERANCE ADMINISTRATION SEPARATE MATTERS OF FEATURES MAY BE BASED SEPARATELY PER RELEASE OF DATUM REFERENCES.	
ALL DIMENSIONS ARE IN INCHES	
THIRD ANGLE PROJECTION	DO NOT SCALE
USE MATH DATA	UNIGRAPHICS

DELPHI
DELPHI PACKARD ELECTRIC SYSTEMS
WVREN, OH

DR	DATE
APV01 R. CHACON	20JAO4
APV02 E. SALAZAR	21JAO4
APV03 E. TRACEY	22JAO4
APV04	
APV05	

SUBSTANCES OF CONCERN AND RECYCLED CONTENT PER DELPHI 10947001

MATERIAL SEE CHART

DRAWING NAME: TAXI CONN F 56

DRAWING NUMBER: 02984379

SIZE: A0
SCALE: 4:1
FRAME NO: 1 OF 1
SHEET NO: 1 OF 1
REV: R 03

OPTIONAL CONSTRUCTION

X-ON Electronics

Largest Supplier of Electrical and Electronic Components

Click to view similar products for [Automotive Connectors](#) category:

Click to view products by [APTIV](#) manufacturer:

Other Similar products are found below :

[003-018-000](#) [60403001](#) [60993906-B](#) [M902-2131](#) [M902-2161](#) [72.330.1035.1](#) [73.353.4028.0](#) [F119300-B](#) [F166900](#) [F258300-B](#) [F358300-B](#)
[F407400](#) [F444110](#) [F487000](#) [F509500B-B](#) [827153-1](#) [8N1515-32-24P](#) [9-1326729-8](#) [925474-1](#) [928905-1](#) [964562-4](#) [968782-1](#) [GT17SA-8DS-](#)
[HU](#) [98891-1012](#) [98947-1016](#) [12004475-L](#) [12010290](#) [12010309-B](#) [12015454](#) [12020219-B](#) [12020308](#) [12041318-B](#) [12052225-L](#) [12052466](#)
[12059125](#) [12064869](#) [12004327-B](#) [12010503-B](#) [12015308](#) [12015384](#) [12015909](#) [1-21030-1](#) [12041254](#) [12041318](#) [12047946-B](#) [12047957](#)
[12047957-L](#) [12059473](#) [12066261](#) [12110546](#)