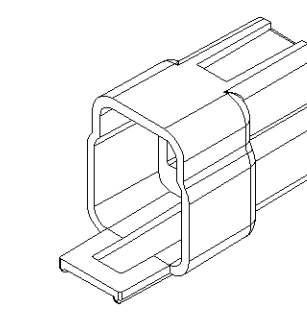
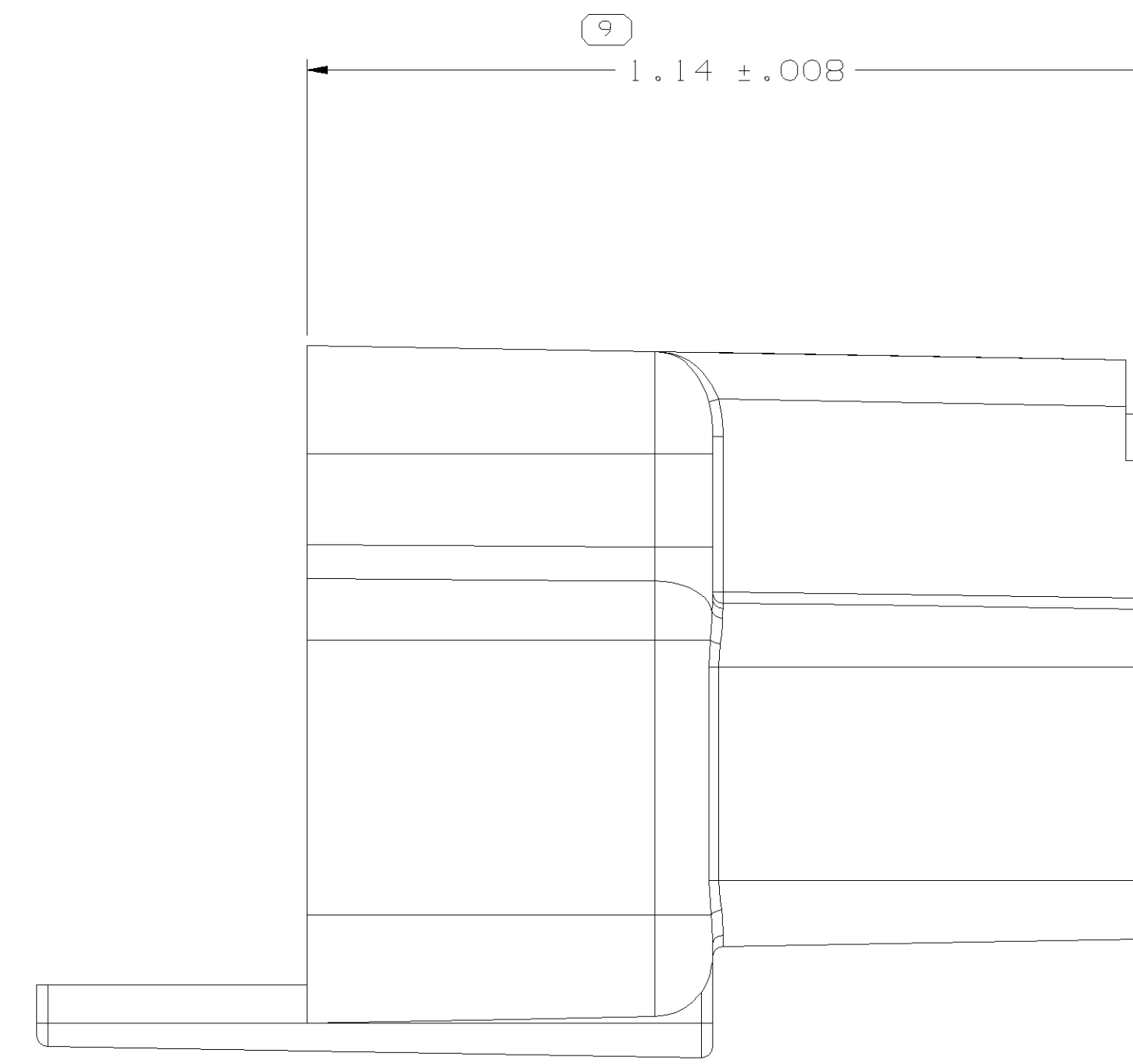
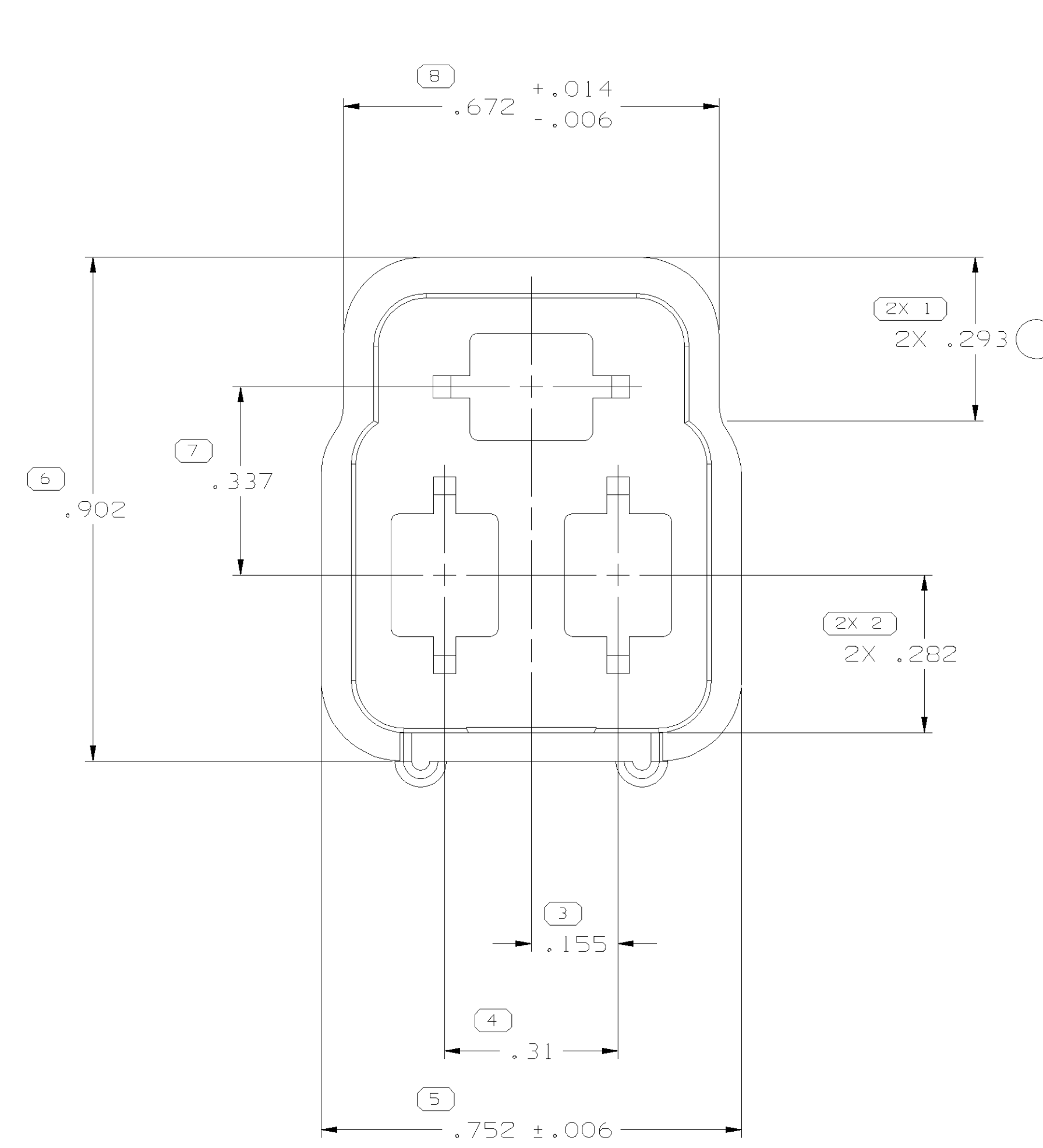
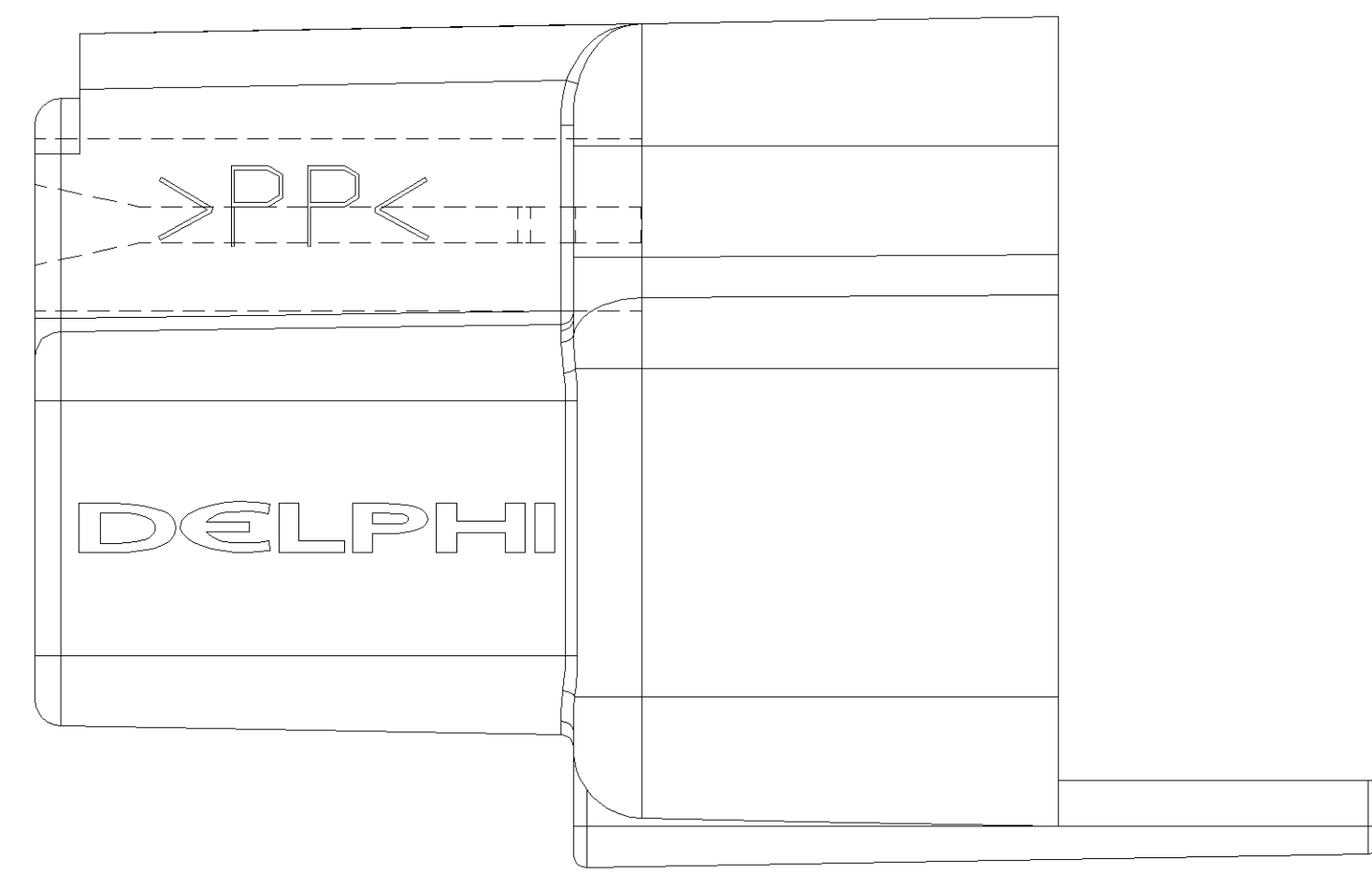
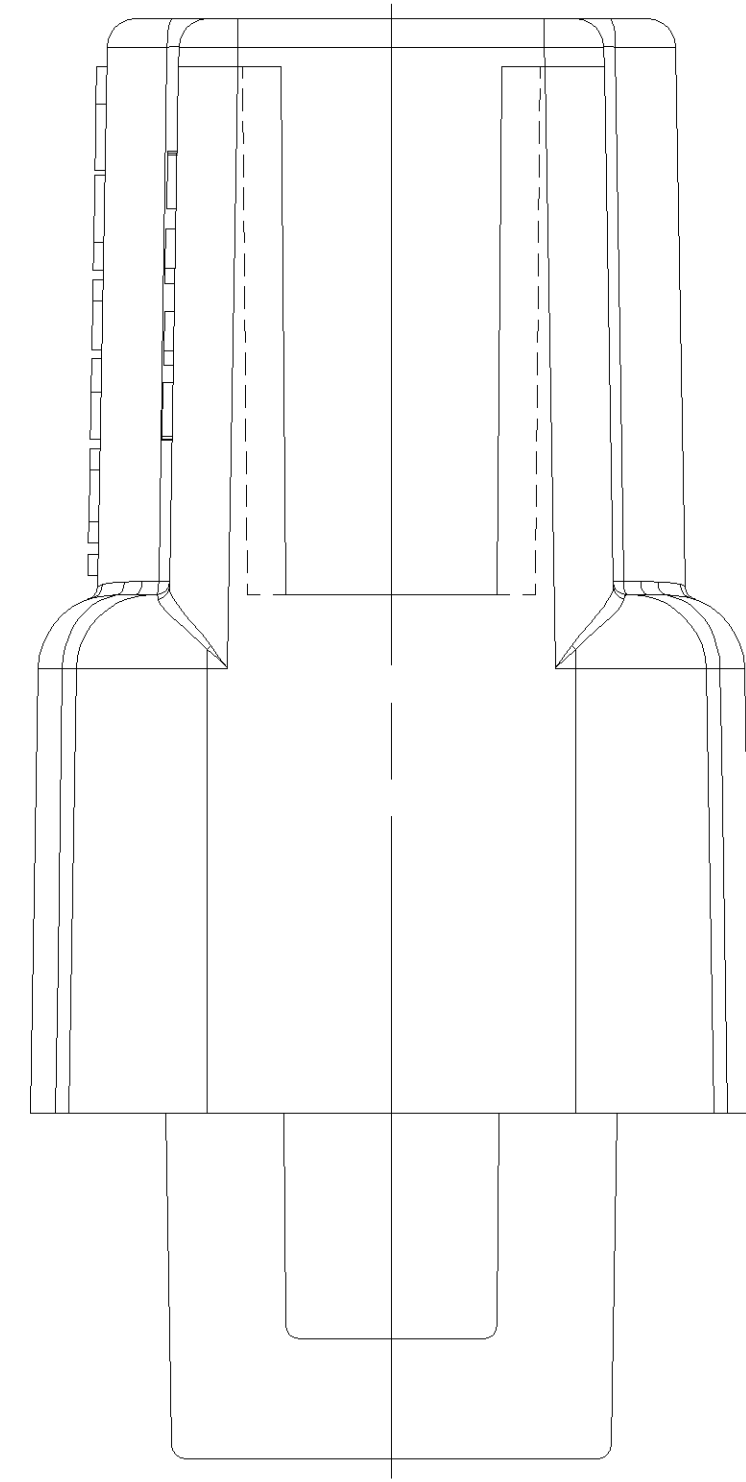


OPTIONAL CAVITY SLOTS CONSTRUCTION



NOTES

- UNLESS OTHERWISE SPECIFIED AND/OR INDICATED: DIMENSIONS ARE TO FACE OF VIEW SHOWN AND AUTOMATICALLY ROUNDED BY COMPUTER FOR INSPECTION (SEE MATH MODEL FOR PRECISE DIMENSIONS). FOR ALL OTHER DIMENSIONS NOT SHOWN BUT REQUIRED FOR TOOL BUILD, SEE MATH MODEL FOR PRECISE TOOL PATH DATA.
- MATERIAL RECYCLING CODE PER ISO 11469. (.1)(.01) RAISED CHARACTERS AS SHOWN TO BE LOCATED ON ANY EXTERIOR SURFACE. OPTIONAL CONSTRUCTION TO BE NO MATERIAL RECYCLING CODE.
- (.1)(.01) RAISED DELPHI CORPORATE BRAND TO BE LOCATED ON ANY EXTERIOR SURFACE, PREFERABLY VISIBLE AT FINAL ASSEMBLY. OPTIONAL CONSTRUCTION TO BE "PED" OR NO LOGO.

SYMBOL DEFINITION		TOTAL NO OF INSPECTIONS REQUIRED		MISSING SYMBOLS	
A	DIMENSION WITHOUT AN INSPECTION REPORT SYMBOL DOES NOT REQUIRE INSPECTION. IT MAY BE CONTROLLED ON THE INDIVIDUAL COMPONENT DRAWING.	11		NO MISSING SYMBOL NUMBER	
		LAST NO. USED	9		

DWO STATUS						REVISION HISTORY				AUTH	DR	APVD	APVD
DATE	STG	REV	N/P	CHG	ZONE								
13FE02	R	01	-	-		ALL ACTIVE PARTS - CREATED PD, ADDED LOGO & MATERIAL RECYCLING CODE NOTES AND REVISED MAT'L SPEC				220998	EOV	EOV	AL
15SE03	R	02	-	-		ALL ACTIVE PARTS - .293 WAS .271				245950	ARA	ARA	EM

PART NO	REV N/P	STATUS	MATERIAL SPECIFICATION AND COLOR	VOLUME CM ³
08905708	-	OBSOLETE	M0520004 (NY6,6) NAT	
06294878	-	OBSOLETE	R0063782 PP ORG	
02984678	A3	-	M0661002 PP BLK	4.249
02977047	A2	-	M0661001 PP NAT	4.249

PROCESS SENSITIVE DIMENSION	
FROM	0
TO	.350
TOLERANCE	±.005
ANGULAR TOLERANCE	±2°

DWO TYPE		PART DRAWING	
STYLE	SEE CHART	DISTR CODE	D
VOLUME (CM ³)	6900		
ROUTING			

DELPHI
DELPHI PACKARD ELECTRIC SYSTEMS
WARREN, OH

DR	DATE
APVD1 E. VAZQUEZ	13FE02
APVD2 E. VAZQUEZ	13FE02
APVD3 A. LOPEZ	13FE02
APVD4	
APVD5	

MATERIAL: SEE CHART

DRAWING NAME: TAXI CONN 56

DRAWING NUMBER: 02984679

SIZE: AO SCALE: 5:1 FRAME NO: 1 OF 1 SHEET NO: 1 OF 1 STG: REV: N/P: R 02

X-ON Electronics

Largest Supplier of Electrical and Electronic Components

Click to view similar products for [Automotive Connectors](#) category:

Click to view products by [APTIV](#) manufacturer:

Other Similar products are found below :

[003-018-000](#) [60403001](#) [60993906-B](#) [629515004020001](#) [M902-2131](#) [M902-2161](#) [72.330.1035.1](#) [73.353.4028.0](#) [F119300-B](#) [F166900](#)
[F258300-B](#) [F358300-B](#) [F407400](#) [F444110](#) [F487000](#) [F509500B-B](#) [827153-1](#) [8N1515-32-24P](#) [9-1326729-8](#) [925474-1](#) [928905-1](#) [964562-4](#)
[968782-1](#) [GT17SA-8DS-HU](#) [98891-1012](#) [98947-1016](#) [12004475-L](#) [12010290](#) [12010309-B](#) [12015454](#) [12020219-B](#) [12020308](#) [12041318-B](#)
[12052225-L](#) [12052466](#) [12059125](#) [12064869](#) [12004327-B](#) [12010503-B](#) [12015308](#) [12015384](#) [12015909](#) [1-21030-1](#) [12041254](#) [12041318](#)
[12047946-B](#) [12047957](#) [12047957-L](#) [12059473](#) [12066261](#)