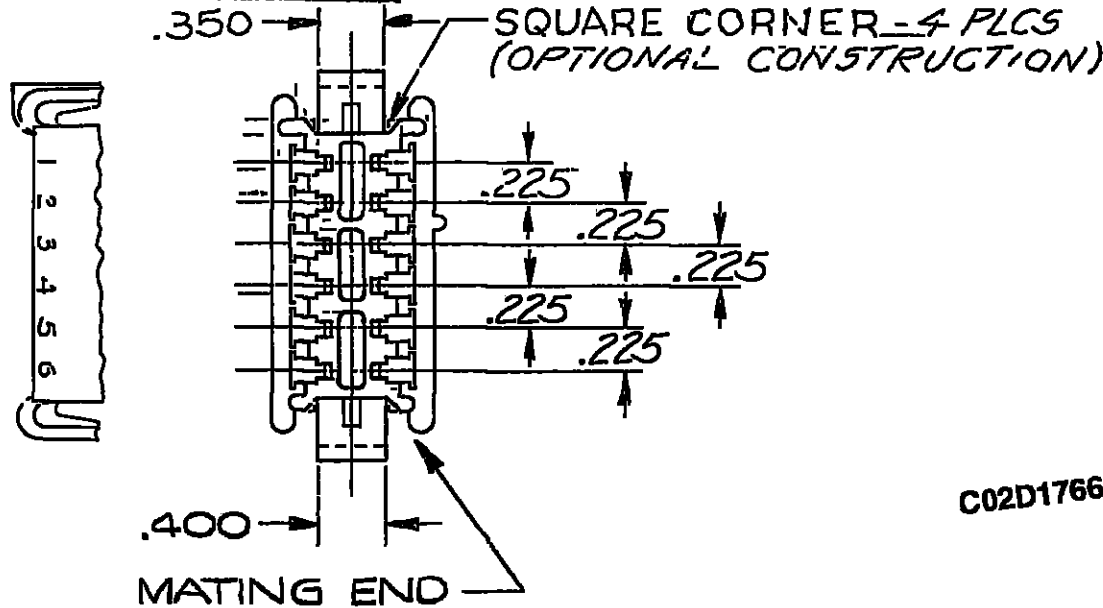


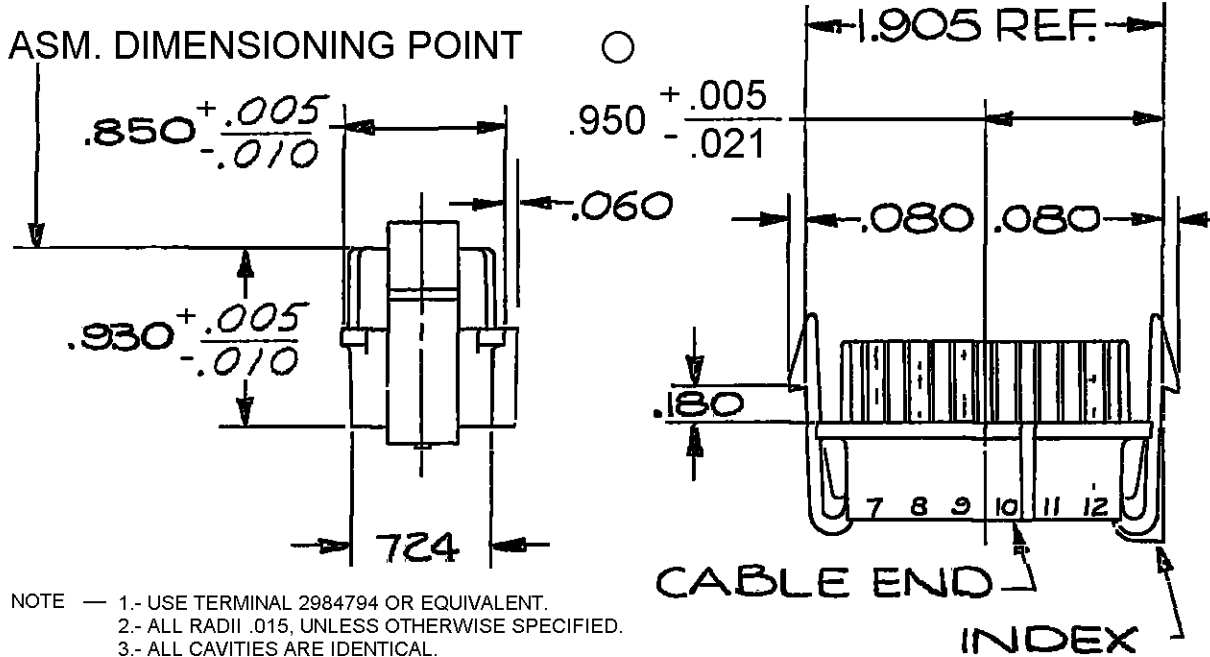
PACKARD ELECTRIC DIVISION
 GENERAL MOTORS CORPORATION
 WARREN, OHIO

DO NOT SCALE

THIS DRAWING AND DESIGN HEREON CONSTITUTES A PROPRIETARY DESIGN OF PACKARD ELECTRIC DIVISION AND IS NOT TO BE DUPLICATED OR REPRODUCED WITHOUT AUTHORITY OF PACKARD ELECTRIC DIVISION



C02D1766



- NOTE —
- 1.- USE TERMINAL 2984794 OR EQUIVALENT.
 - 2.- ALL RADII .015, UNLESS OTHERWISE SPECIFIED.
 - 3.- ALL CAVITIES ARE IDENTICAL.
 - 4.- LOCKING FEATURES ARE IDENTICAL, EXCEPT AS SHOWN.
 - 5.- DIMENSIONS ARE TO FACE OF VIEW SHOWN, UNLESS OTHERWISE INDICATED.
 - 6.- ANGULAR TOLERANCE :+/- 2°.
 - 7.- MATERIAL RECYCLING CODE PER ISO 11469. (0.090) X (0.003) RAISED CHARACTERS AS SHOWN TO BE LOCATED ON ANY EXTERIOR SURFACE. OPTIONAL CONSTRUCTION TO BE NO MATERIAL RECYCLING CODE.
 - 8.- (0.090) X (0.003) RAISED DELPHI CORPORATE BRAND TO BE LOCATED ON ANY EXTERIOR SURFACE, PREFERABLY VISIBLE AT FINAL ASSEMBLY. OPTIONAL CONSTRUCTION TO BE "PED" OR NO LOGO.

PART NO		2984792	
DATE	SYM	REVISION RECORD	C/N NO
19NO85	L	ALL PREVIOUS	
		DATA REMOVED;	
		MAT'L. SPEC. WAS	
		POLYP. (BLACK)	102396
24NO87	-	TERM. NOTE ADDED	116529
13DE05	L2	.850 +.005/- .010 WAS .850,	
		.930 +.005/- .010 WAS .930,	
		.950 +.005/- .015 WAS .950,	
		ADDED NOTES & MAT'L SPEC	
		WAS POLYPROPYLENE	
		COPOLYMER (BLK)	275351
16FE06	L3	.950 +.005/- .021 WAS .950 +.005/- .015	277563

CODE NO	6900	TOLERANCE UNLESS OTHERWISE SPECIFIED
		DECIMAL ± .005
		FRACTIONAL ±
		ANGULAR ±

DWG. DATE	4-8-64	SCALE	NONE	DR	R PARRIS
ROUTING DEPT		CK		<i>List 4-14</i>	
OUTST		APPR		<i>Mar 4-14</i>	
REFERENCE		APPR			
2984792 - D SIZE				APPR	

MATERIAL SPEC	M2097001 PP IM BLK	CODE NO	
NAME	CONN 12 WAY P/C BOW		

PART NO	2984792	SIZE	A
OUTLINE DWG			

X-ON Electronics

Largest Supplier of Electrical and Electronic Components

Click to view similar products for [Automotive Connectors](#) category:

Click to view products by [APTIV](#) manufacturer:

Other Similar products are found below :

[003-018-000](#) [60403001](#) [60993906-B](#) [629515004020001](#) [M902-2131](#) [M902-2161](#) [72.330.1035.1](#) [73.353.4028.0](#) [F119300-B](#) [F166900](#)
[F258300-B](#) [F358300-B](#) [F407400](#) [F444110](#) [F487000](#) [F509500B-B](#) [827153-1](#) [8N1515-32-24P](#) [9-1326729-8](#) [925474-1](#) [928905-1](#) [964562-4](#)
[968782-1](#) [GT17SA-8DS-HU](#) [98891-1012](#) [98947-1016](#) [12004475-L](#) [12010290](#) [12010309-B](#) [12015454](#) [12020219-B](#) [12020308](#) [12041318-B](#)
[12052225-L](#) [12052466](#) [12059125](#) [12064869](#) [12004327-B](#) [12010503-B](#) [12015308](#) [12015384](#) [12015909](#) [1-21030-1](#) [12041254](#) [12041318](#)
[12047946-B](#) [12047957](#) [12047957-L](#) [12059473](#) [12066261](#)