

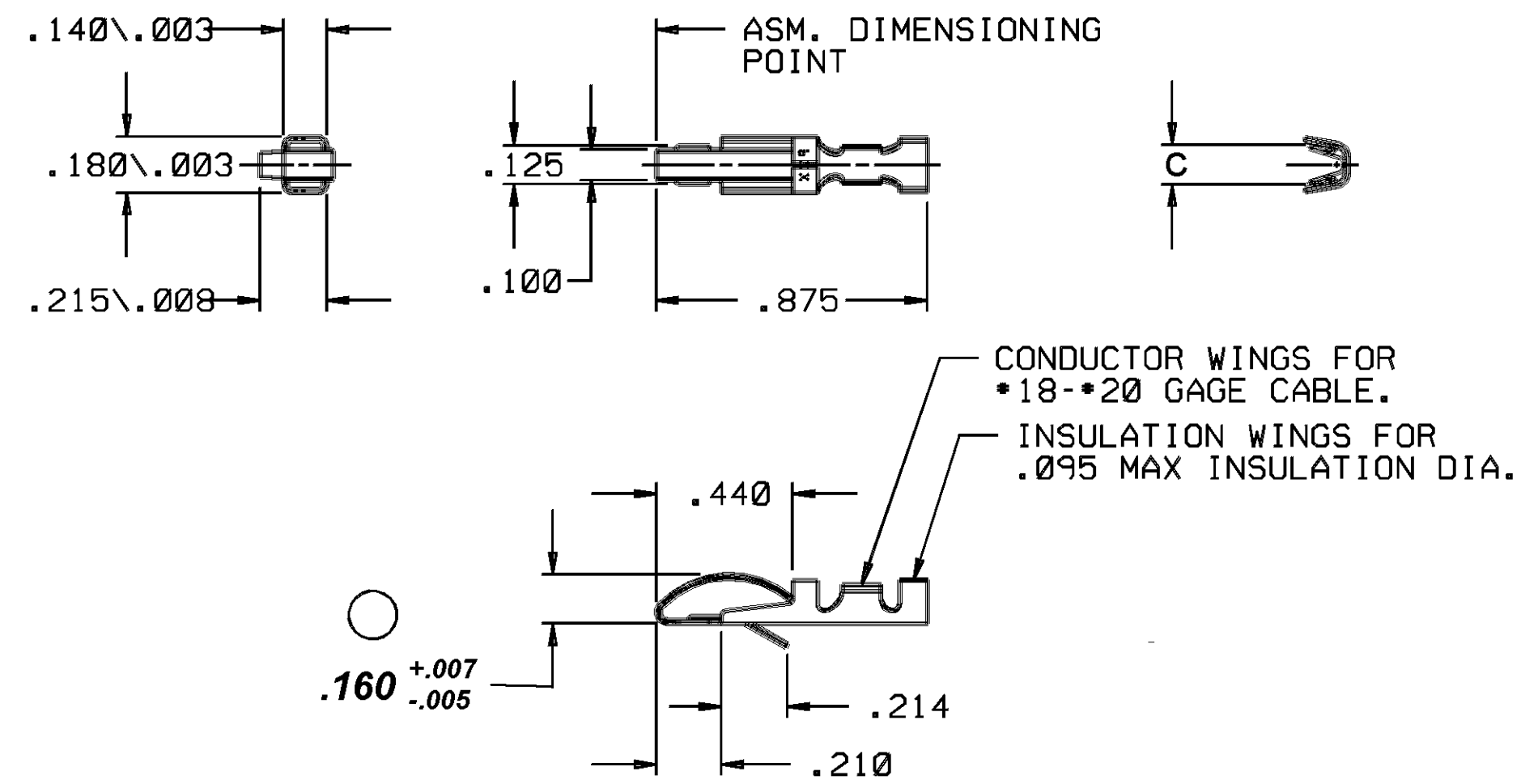
D THIS DRAWING AND DESIGN HEREON CONSTITUTES A PROPRIETARY DESIGN OF PACKARD ELECTRIC DIVISION AND IS NOT TO BE DUPLICATED OR REPRODUCED WITHOUT AUTHORITY OF PACKARD ELECTRIC DIVISION.

DO NOT SCALE

PART NO. 628 8115

PART NO. 628 8115

| DATE | SYM | REVISION RECORD | AUTHORITY | DR | CK |
|---------|-----|---|-----------|-----|-----|
| 19JUN89 | | ALL PARTS - REDRAWN AND REVISED | | | |
| | | WITHOUT PHYSICAL CHANGE - REVISION | | | |
| | | LEVELS REMAIN THE SAME | 127071 | SM | SM |
| 25JAN90 | | ALL PARTS - RELOCATED SNOWCONES #18 & #19 - NO REV UPDATE REQ'D | 132077 | FDS | FDS |
| 04JAN03 | 03 | ALL PARTS - CORRECTED TITLE BLOCK | 403356 | HM | RS |
| 18DEC09 | 04 | ALL ACTIVE PARTS - DIM .160 +.007/-0.005 WAS .160 AND UPDATED MATERIAL SPEC | 409689 | DMC | MJF |



PACKARD ELECTRIC DIVISION
MOTORS CORPORATION
GENERAL WAREHOUSE

| PART NO | REV | STATUS | MAT'L SIZE | MAT'L SPEC | PART NO | REV | STATUS | MAT'L SPEC | GAGE | DIA | ID |
|----------|-----|----------|---------------|------------|----------|-----|--------|------------|--------------------|-----------|------|
| 12066266 | D2 | | .0126 X 1.484 | M1519447 | 12089008 | C2 | | M1574447 | 20-22 | .087-.081 | .121 |
| | | | .0126 X 1.484 | M1519447 | 12047504 | C2 | | M1574447 | TWO 18-20 | .095-.081 | .205 |
| 12040658 | B | OBSOLETE | .0126 X 1.484 | U1519ABV | | | | | 22-24 | .082-.044 | .085 |
| | | | .0126 X 1.484 | M1519447 | 12034315 | C2 | | M1574447 | 18-20 | .095-.081 | .120 |
| 12020453 | C2 | | .0126 X 1.484 | M1519447 | | | | | TWO 22 | .073-.067 | .222 |
| 12010773 | C | OBSOLETE | .0126 X 1.500 | U1519AAS | | | | | 22-24 | .082-.044 | .085 |
| 8911904 | C2 | | .0126 X 1.484 | M1519447 | | | | | 12 | .145-.139 | .165 |
| 6288108 | G2 | | .0126 X 1.484 | M1519447 | | | | | 14-16 OR TWO 18-20 | .120-.101 | .205 |
| 2984794 | F2 | | .0126 X 1.484 | M1519447 | | | | | 18-20 | .095-.081 | .120 |
| | | | | | | | | | | | |

DETAIL SIZE (D)

| | |
|-------------------------------|---|
| PIED/NIRGRAPH MICROSTATION | FILE SPEC: ****USER**** DGN#SPECIFICATION***** *****SYTIME***** |
| THIRD ANGLE PROJECTION | ENGLISH DIMENSIONS ARE IN INCHES UNLESS OTHERWISE SPECIFIED. |
| CODE NO. 6900 | TOLERANCE UNLESS OTHERWISE SPECIFIED DECIMAL ANGULAR ± 2° TWO PLACES ± .01 THREE PLACES ± .005 |
| Q.C.-C-1013 | SCALE NONE |
| DWG. DATE 09FE65 | DR. S. REIBOLD 10MR83 |
| EST. NO. | CK. D. BICE DATE 28MR83 |
| REFERENCE NO. | APPR. DATE APPR. R. D. KEARNS DATE 05AP83 |
| MATERIAL SPEC. | SEE CHART |
| NAME | TERM P/C BOW CNCT |
| PART NO. 628 8115 | SIZE D |
| SHEET 1 OF 1 | |

UNPLATED

TIN PLATED

CABLE

SIZE D

X-ON Electronics

Largest Supplier of Electrical and Electronic Components

Click to view similar products for [Automotive Connectors](#) category:

Click to view products by [APTIV](#) manufacturer:

Other Similar products are found below :

[003-018-000](#) [60403001](#) [60993906-B](#) [M902-2131](#) [M902-2161](#) [72.330.1035.1](#) [73.353.4028.0](#) [F119300-B](#) [F166900](#) [F258300-B](#) [F358300-B](#)
[F407400](#) [F444110](#) [F487000](#) [F509500B-B](#) [827153-1](#) [8N1515-32-24P](#) [9-1326729-8](#) [925474-1](#) [928905-1](#) [964562-4](#) [968782-1](#) [GT17SA-8DS-](#)
[HU](#) [98891-1012](#) [98947-1016](#) [12004475-L](#) [12010290](#) [12010309-B](#) [12015454](#) [12020219-B](#) [12020308](#) [12041318-B](#) [12052225-L](#) [12052466](#)
[12059125](#) [12064869](#) [12004327-B](#) [12010503-B](#) [12015308](#) [12015384](#) [12015909](#) [1-21030-1](#) [12041254](#) [12041318](#) [12047946-B](#) [12047957](#)
[12047957-L](#) [12059473](#) [12066261](#) [12110546](#)