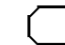
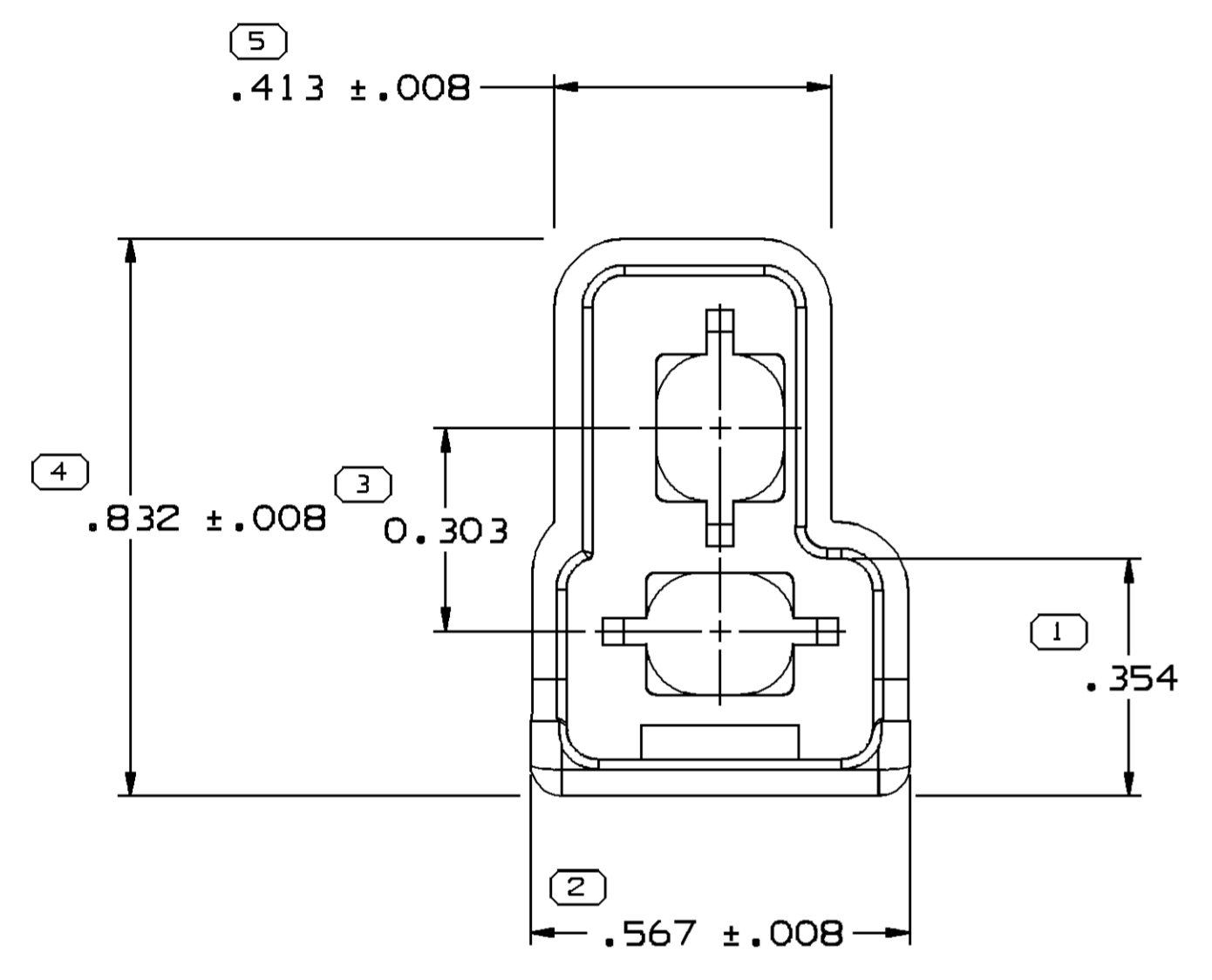
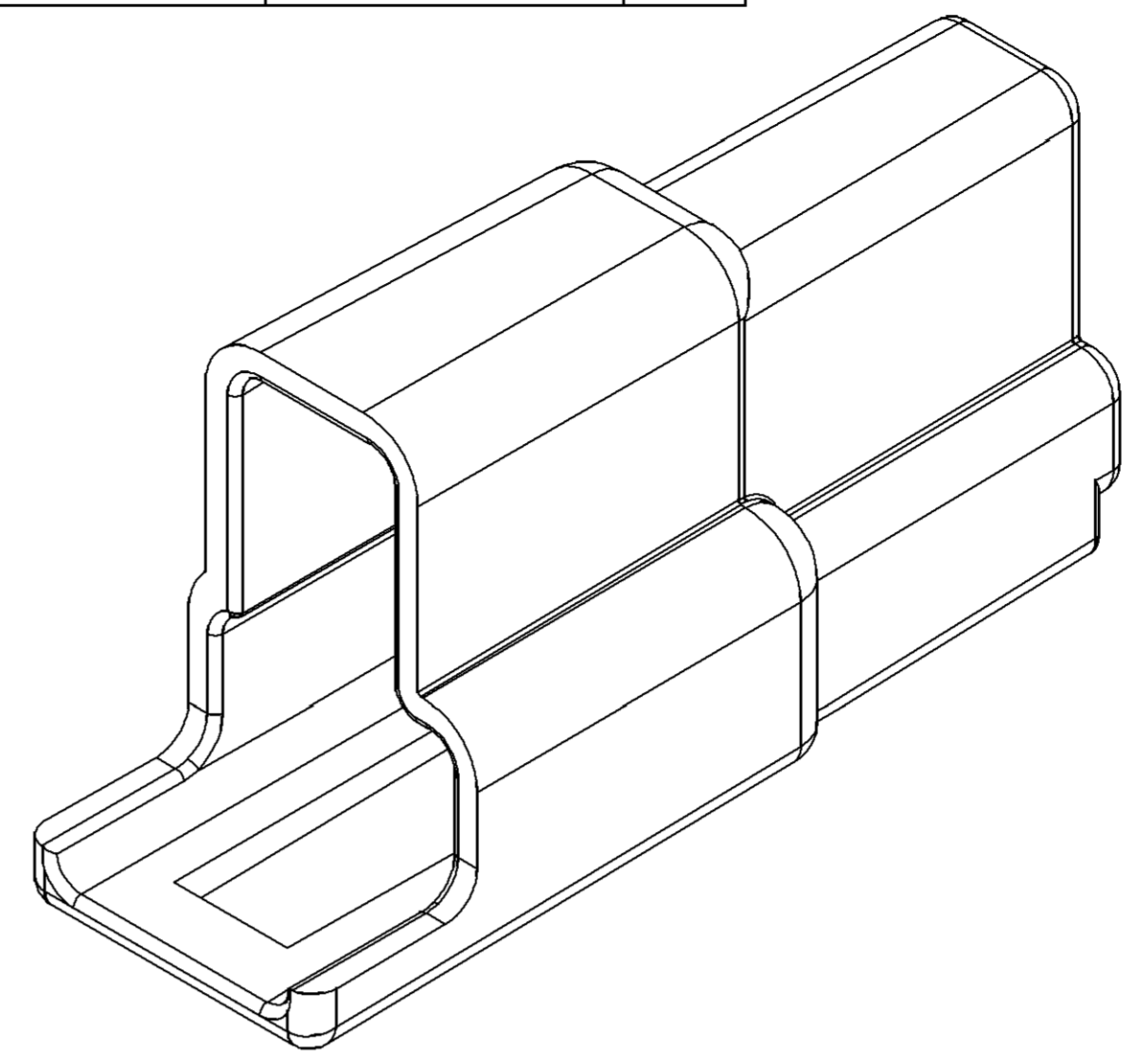
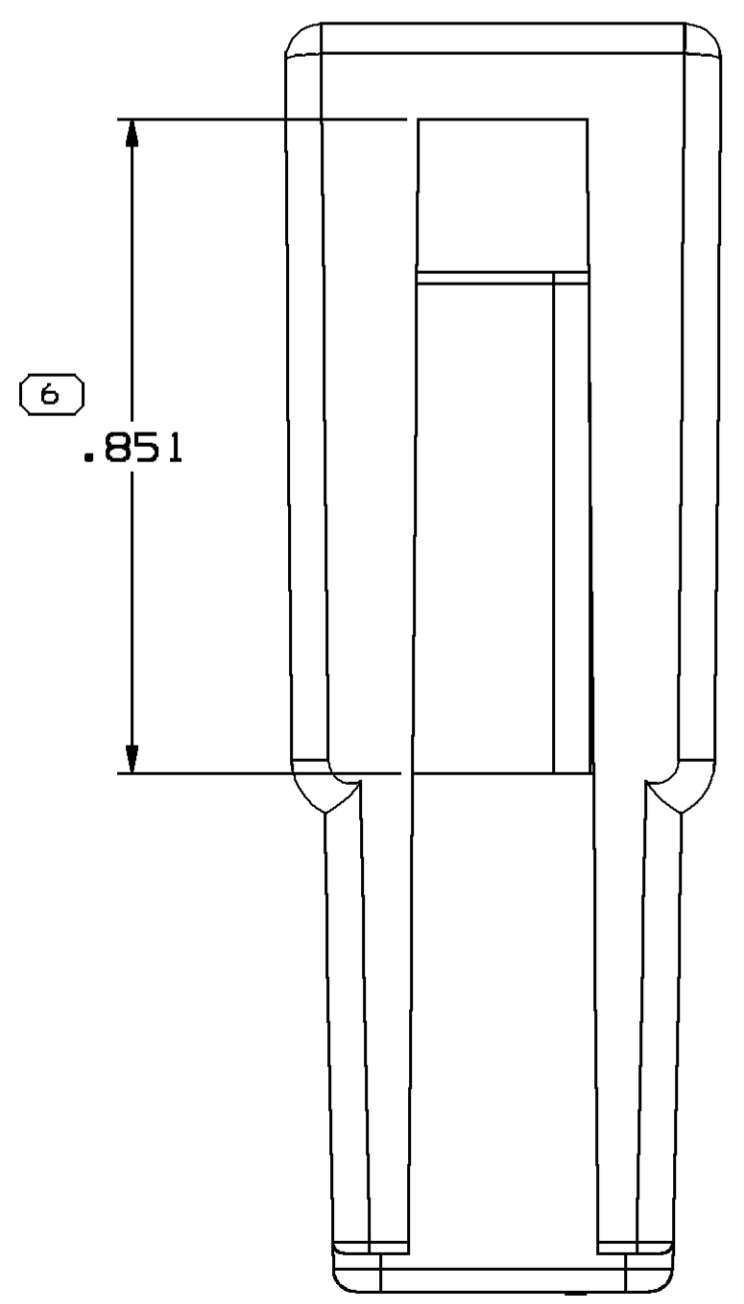
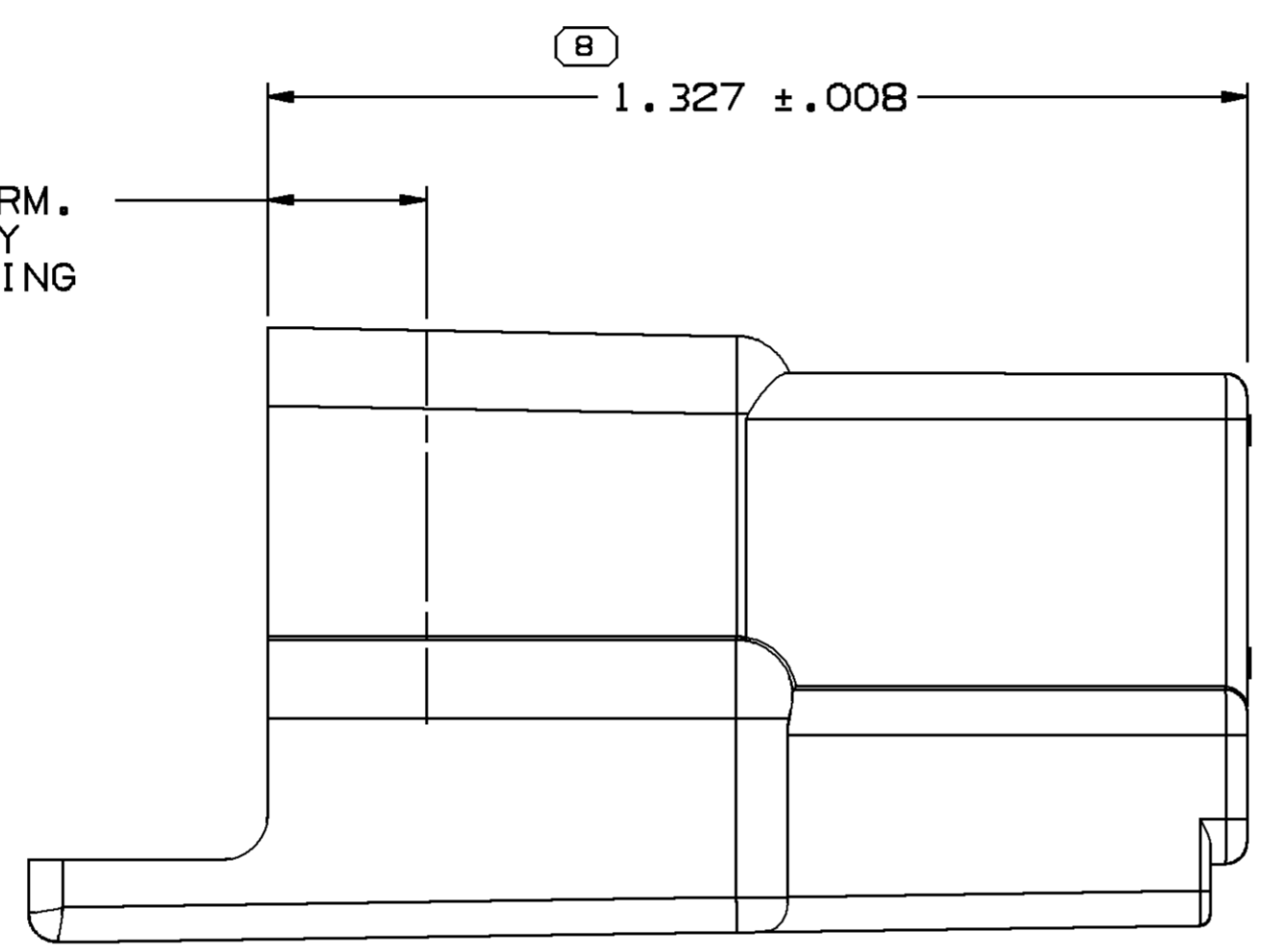


| SYMBOL DEFINITION | | MISSING SYMBOLS | |
|---------------------------------------------------------------------------------------------------------------------------------------------------------------------------------------------------------------------------|----------------------------------|--------------------------|---|
| A DIMENSION WITHOUT AN INSPECTION REPORT SYMBOL  DOES NOT REQUIRE INSPECTION. IT MAY BE CONTROLLED ON THE INDIVIDUAL COMPONENT DRAWING. | TOTAL NO OF INSPECTIONS REQUIRED | NO MISSING SYMBOL NUMBER | 8 |
| | LAST NO. USED | | 8 |

| DWG STATUS | | | | REVISION HISTORY | | AUTH | | DR | | APVD | |
|------------|-----|-----|-----|------------------|------|-----------------------------------------------|--|--------|--|-------------|--|
| DATE | STG | REV | N/P | CHG | ZONE | REVISION HISTORY | | AUTH | | DR | |
| 080C04 | R | 15 | - | - | | CREATED TAXI, ALL PARTS WERE ON SEPARATE PD'S | | 258202 | | MJM MJM ET | |
| 26AU10 | R | 16 | - | - | | 12033628 - WAS ON DRAWING 12048319 SHT 1 | | 411773 | | HRS HRS LHT | |
| 04JA13 | R | 17 | - | - | | ALL PARTS - REDRAWN | | 420796 | | DCH JVM DGL | |



(7) (.215) END OF TERM. & ASSEMBLY DIMENSIONING POINT.



NOTES

- UNLESS OTHERWISE SPECIFIED AND/OR INDICATED:
DIMENSIONS ARE TO FACE OF VIEW SHOWN AND AUTOMATICALLY ROUNDED BY COMPUTER FOR INSPECTION (SEE MATH MODEL FOR PRECISE DIMENSIONS). FOR ALL OTHER DIMENSIONS NOT SHOWN BUT REQUIRED FOR TOOL BUILD, SEE MATH MODEL FOR PRECISE TOOL PATH DATA.
- MATERIAL RECYCLING CODE PER ISO 11469. (.039)X(.003) CHARACTERS AS SHOWN TO BE LOCATED ON ANY EXTERIOR SURFACE.
- THIS PRODUCT IS NOT CATEGORIZED AS AN APPEARANCE ITEM, MINOR IMPERFECTIONS INCLUDING, BUT NOT LIMITED TO, FLOW MARKS, COLOR BLEMISHES, GATE VESTIGE, AND SOFT FLASH THAT DO NOT AFFECT THE FIT, FORM, OR FUNCTION OF THE PART ARE PERMISSIBLE PER DPNP-4.7-CS-01.
- FOR APPLICATION DATA SEE THE INDIVIDUAL APPLICATION DRAWINGS.
- (.039)X(.003) DELPHI CORPORATE BRAND TO BE LOCATED ON ANY EXTERIOR SURFACE, PREFERABLY VISIBLE AT FINAL ASSEMBLY. OPTIONAL CONSTRUCTION FOR EXISTING TOOLING MAY BE "PED" OR NO LOGO.

| 12033628 | C6 | - | POLYAMIDE COMPOUND GRAY | 3.060 |
|----------|-----|-----|--------------------------------|---------------------------|
| 02984883 | 04 | AA | POLYPROPYLENE COMPOUND BLACK | 3.060 |
| 02973782 | 04 | AA | POLYPROPYLENE COMPOUND NATURAL | 3.060 |
| PART NO | REV | N/P | MATERIAL SPEC AND COLOR | VOLUME (CM ³) |

| DIMENSIONAL RANGE (IN) | | CHART | H |
|---------------------------------------|------|--------|--------|
| FROM | > | | |
| 0 | .750 | >1.250 | >2.750 |
| TO | .750 | 1.250 | 2.750 |
| TOLERANCE UNLESS OTHERWISE SPECIFIED | | | |
| ±.005 ±.010 ±.012 ±.016 ±.020 | | | |
| ANGULAR TOLERANCE ±2° | | | |

INDICATES THAT PHYSICAL PARTS ARE NOT AVAILABLE FOR ORDERING.

PART NUMBERS THAT DO NOT HAVE A LINE PRESENT INDICATE THAT PHYSICAL PARTS ARE AVAILABLE FOR ORDERING.

CONTACT DELPHI SALES TO ASSURE AVAILABILITY OF PARTS.

DWG TYPE: PART DRAWING

STYLE: SEE CHART

VOLUME (CM³): SEE CHART

DISTR CODE: D

UNLESS OTHERWISE SPECIFIED

THIS DOCUMENT IS IN ACCORDANCE WITH ASME Y14.5M-1994 AS AMENDED BY THE 0M GLOBAL DIMENSIONING AND TOLERANCING ADDENDUM - 1997. ALL GEOMETRIC TOLERANCES AND RELATED DATUMS APPLY RFS. RULE #1 (PERFECT FORM AT MMV) DOES NOT APPLY WHEN RELATIONSHIP BETWEEN FEATURES IS ESTABLISHED BY ORIENTATION OR LOCATION TOLERANCES. SEPARATE POSITION CALLOUTS MAY BE GAGED SEPARATELY, REGARDLESS OF DATUM REFERENCE. ALL DIMENSIONS ARE IN INCHES.

THIRD ANGLE PROJECTION

DO NOT SCALE

USE MATH DATA

NX

DELPHI

DELPHI PACKARD ELECTRICAL/ELECTRONIC ARCHITECTURE

WARREN, OH

COPYRIGHT 2004 DELPHI CORPORATION AND/OR ITS AFFILIATES. ALL RIGHTS RESERVED.

REVISED 2013

THIS DRAWING IS THE PROPERTY OF DELPHI CORPORATION AND CONTAINS DELPHI CONFIDENTIAL INFORMATION. THE REPRODUCTION, DISTRIBUTION AND UTILIZATION OF THIS DOCUMENT OR ITS RELATED CAD MATH DATA, AS WELL AS COMMUNICATION OF ANY CONTENT TO OTHERS, WITHOUT EXPRESS AUTHORIZATION, IS PROHIBITED.

| DR | DATE |
|-------------------|--------|
| APVD1 M. MAYER | 080C04 |
| APVD2 M. MAYER | 080C04 |
| APVD3 ERIC TRACEY | 110C04 |
| APVD4 | |
| APVD5 | |

SUBSTANCES OF CONCERN AND RECYCLED CONTENT PER DELPHI 10949001

MATERIAL SEE CHART

DRAWING NAME: TAXI CONN M 56 SERIES

DRAWING NUMBER: 02984884

| SIZE | SCALE | FRAME NO | SHEET NO | STG | REV | N/P |
|------|-------|----------|----------|-----|-----|-----|
| A1 | 4:1 | 1 OF 1 | 1 OF 1 | R | 17 | - |

X-ON Electronics

Largest Supplier of Electrical and Electronic Components

Click to view similar products for [Automotive Connectors](#) category:

Click to view products by [APTIV](#) manufacturer:

Other Similar products are found below :

[003-018-000](#) [60403001](#) [60993906-B](#) [629515004020001](#) [M902-2131](#) [M902-2161](#) [72.330.1035.1](#) [73.353.4028.0](#) [F119300-B](#) [F166900](#)
[F258300-B](#) [F358300-B](#) [F407400](#) [F444110](#) [F487000](#) [F509500B-B](#) [827153-1](#) [8N1515-32-24P](#) [9-1326729-8](#) [925474-1](#) [928905-1](#) [964562-4](#)
[968782-1](#) [GT17SA-8DS-HU](#) [98891-1012](#) [98947-1016](#) [12004475-L](#) [12010290](#) [12010309-B](#) [12015454](#) [12020219-B](#) [12020308](#) [12041318-B](#)
[12052225-L](#) [12052466](#) [12059125](#) [12064869](#) [12004327-B](#) [12010503-B](#) [12015308](#) [12015384](#) [12015909](#) [1-21030-1](#) [12041254](#) [12041318](#)
[12047946-B](#) [12047957](#) [12047957-L](#) [12059473](#) [12066261](#)