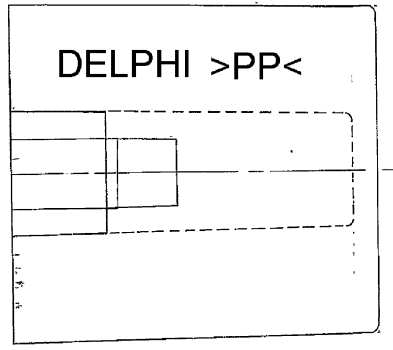
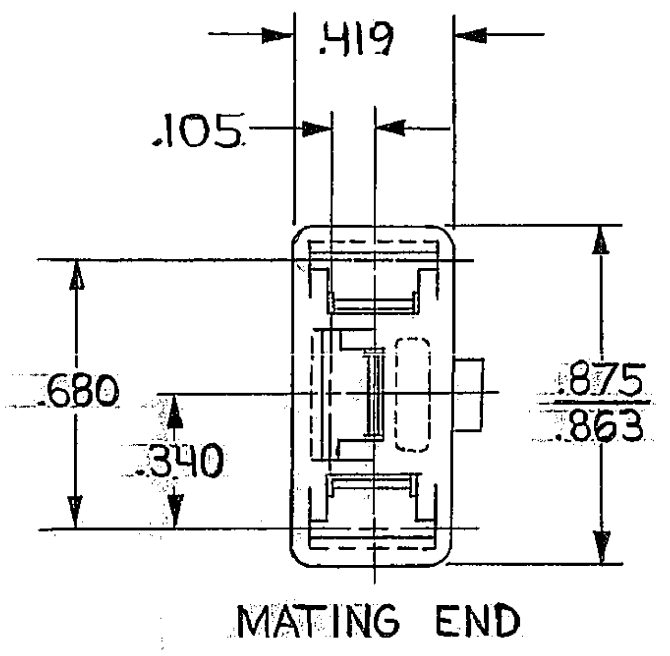
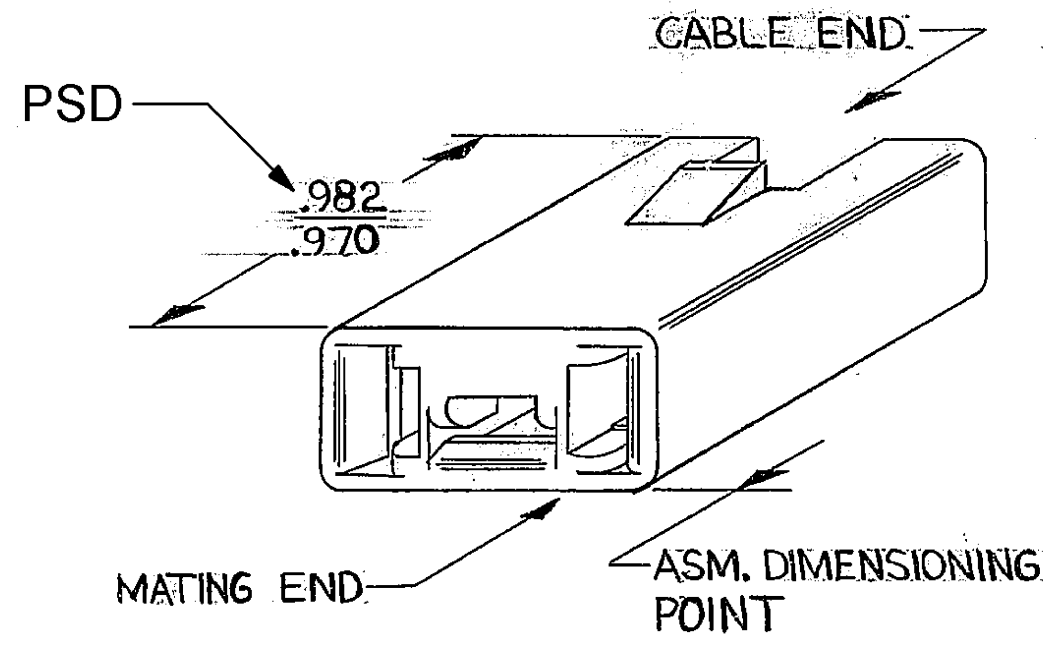


DWG STATUS				REVISION HISTORY				AUTH		DR		APVD	
DATE	BY	REV	CHG	NO	DATE	BY	NO	NO	NO	NO	NO	NO	
17SEP02	R	01	-	-	TAXI CREATED FROM SEPARATE DRAWINGS. ALL ACTIVE PARTS - ADDED NOTES (2 PLCS) AND REVISED MATL SPEC.				230338	RAO	EGR	ET	



- NOTES
- DIMENSIONS ARE TO FACE OF VIEW SHOWN UNLESS OTHERWISE INDICATED
 - (.090) X (.004) RAISED DELPHI CORPORATE BRAND TO BE LOCATED ON ANY EXTERIOR SURFACE, PREFERABLY VISIBLE AT FINAL ASSEMBLY. OPTIONAL CONSTRUCTION TO BE "PED" OR NO LOGO
 - MATERIAL RECYCLING CODE >PP< PER SAE J1344. (.090) X (.004) RAISED CHARACTERS AS SHOWN TO BE LOCATED ON ANY EXTERIOR SURFACE. OPTIONAL CONSTRUCTION TO BE NO MATERIAL RECYCLING CODE.

PART NO	REV	N/P	STATUS	MATERIAL SPECIFICATION AND COLOR
12040949	B1	-	OBSOLETE	M0661007 - PP GRN
08911907	-	-	OBSOLETE	R-67551-POLYP-RED
02984958	B1	-		M0661002 - PP BLK

DWG TYPE		PART DRAWING	
STYLE		DISTR CODE	D
VOLUME (CM)			
ROUTING	6900		
UNLESS OTHERWISE SPECIFIED			
THIS DRAWING IS A CONTROL COPY. IT IS THE PROPERTY OF DELPHI CORPORATION. NO PARTS ARE TO BE USED FROM THIS DRAWING FOR ANY PURPOSE OTHER THAN THE MANUFACTURE OF DELPHI AND DELPHI PRODUCTS.			
REFERENCE			
THIRD ANGLE PROJECTION			

DELPHI			
DELPHI PACKARD ELECTRIC SYSTEMS			
WARREN, OH			
THIS DRAWING IS THE PROPERTY OF DELPHI CORPORATION. NO PARTS ARE TO BE USED FROM THIS DRAWING FOR ANY PURPOSE OTHER THAN THE MANUFACTURE OF DELPHI AND DELPHI PRODUCTS.			
DR	D. B. O' MALLEY	DATE	06FE73
APVD	T. MUDREY		07FE73
APVD	T. LUBERT		08FE73
SUBSTANCES OF CONCERN AND RECYCLED CONTENT PER DELPHI A THRESHOLD			
SEE CHART			
DRAWING NAME			
TAXI CONN 56			
DRAWING NUMBER			
08911908			
SIZE	A0	SCALE	NONE
FRAME NO	1 OF 1	SHEET NO	1 OF 1
STG	R	REV	01
N/P	-		

X-ON Electronics

Largest Supplier of Electrical and Electronic Components

Click to view similar products for [Automotive Connectors](#) category:

Click to view products by [APTIV](#) manufacturer:

Other Similar products are found below :

[003-018-000](#) [60403001](#) [60993906-B](#) [629515004020001](#) [M902-2131](#) [M902-2161](#) [72.330.1035.1](#) [73.353.4028.0](#) [F119300-B](#) [F166900](#)
[F258300-B](#) [F358300-B](#) [F407400](#) [F444110](#) [F487000](#) [F509500B-B](#) [827153-1](#) [8N1515-32-24P](#) [9-1326729-8](#) [925474-1](#) [928905-1](#) [964562-4](#)
[968782-1](#) [GT17SA-8DS-HU](#) [98891-1012](#) [98947-1016](#) [12004475-L](#) [12010290](#) [12010309-B](#) [12015454](#) [12020219-B](#) [12020308](#) [12041318-B](#)
[12052225-L](#) [12052466](#) [12059125](#) [12064869](#) [12004327-B](#) [12010503-B](#) [12015308](#) [12015384](#) [12015909](#) [1-21030-1](#) [12041254](#) [12041318](#)
[12047946-B](#) [12047957](#) [12047957-L](#) [12059473](#) [12066261](#)