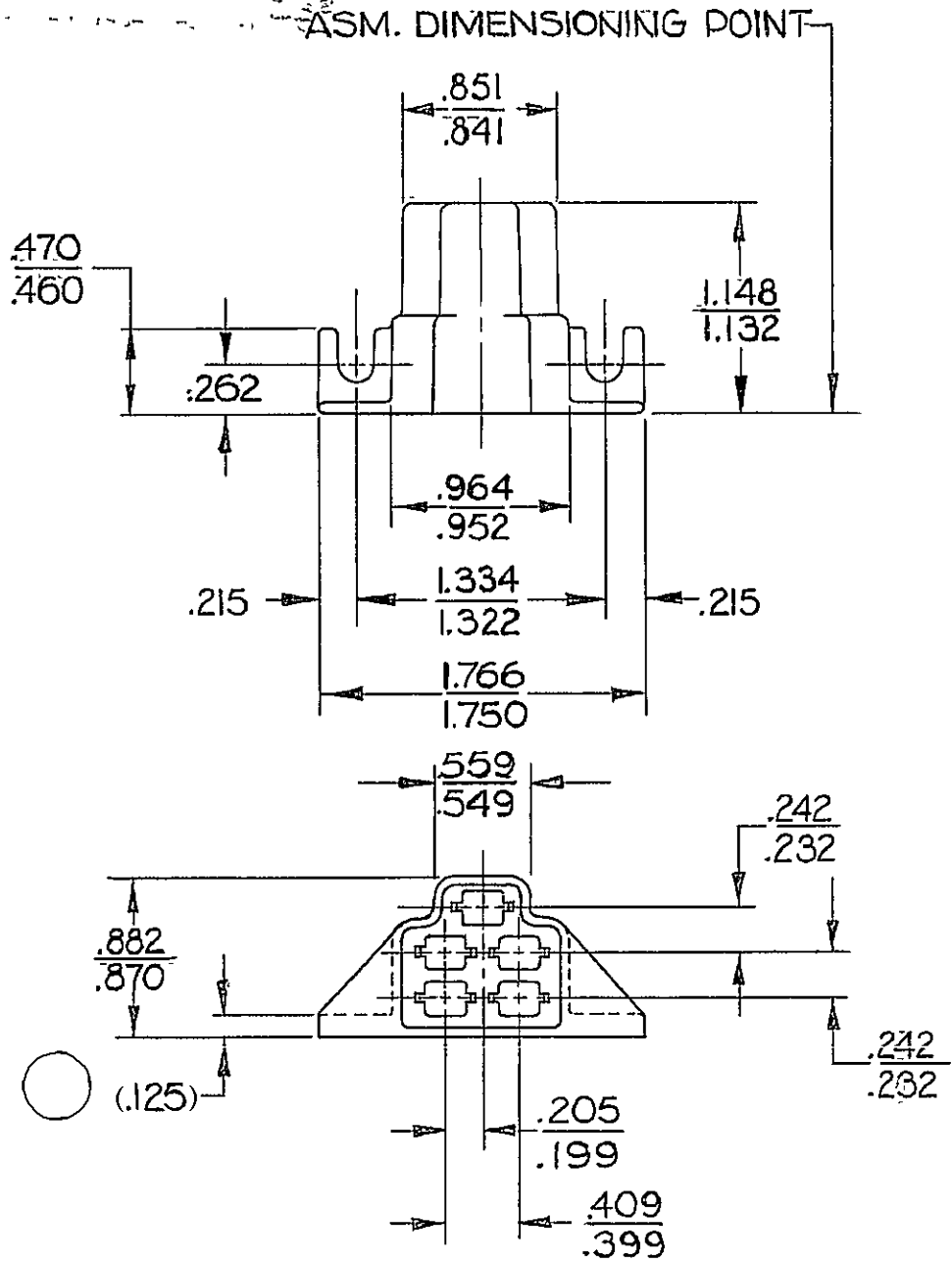


PACKARD ELECTRIC DIVISION
 GENERAL MOTORS CORPORATION
 WARREN, OHIO

THIS DRAWING AND DESIGN HEREON CONSTITUTES A PROPRIETARY DESIGN OF PACKARD ELECTRIC DIVISION AND IS NOT TO BE DUPLICATED OR REPRODUCED WITHOUT AUTHORITY OF PACKARD ELECTRIC DIVISION

PART NO. **3138080**



ASM. DIMENSIONING POINT

MATING END

C02D1802

DATE	SYM	REVISION RECORD	C/N NO.
12-8-67	A	OUTLINE DWG ISSUED	29893
6-25-73	C	MATL. SPEC. REVISED	49146
13NO79	-	MATL. COLOR WAS GRAY	71334
29AP80	-	DRAWING & CONTROL	
		TRANSFERRED TO	
		PACKARD ELECTRIC	73018
100C85	-	ADDED CODE NO. 6901	85004
28JA09	E1	DIM (.125) WAS .125	407221

CODE NO. 6900 6901	TOLERANCE UNLESS OTHERWISE SPECIFIED DECIMAL ± .005 FRACTIONAL ± ANGULAR ±	
DWG. DATE 12-26-67	SCALE NONE	DR. T.N. RITZ
ROUTING DEPT. OUTST.		CK. <i>M. J. Moran</i> 2-16-68 APPR.
REFERENCE 3138080 "D" SIZE		APPR. APPR. <i>Subert</i> 2-26
MATERIAL SPEC. FILLED POLYPROPYLENE-BLK.		CODE NO.
NAME CONN BODY-5 WAY MALE-56 SERIES		
PART NO. 3138080	SIZE A	
OUTLINE DRAWING		

0
 DEB-A
 199
 DRD-V
 165

X-ON Electronics

Largest Supplier of Electrical and Electronic Components

Click to view similar products for [Automotive Connectors](#) category:

Click to view products by [APTIV](#) manufacturer:

Other Similar products are found below :

[003-018-000](#) [60403001](#) [60993906-B](#) [629515004020001](#) [M902-2131](#) [M902-2161](#) [72.330.1035.1](#) [73.353.4028.0](#) [F119300-B](#) [F166900](#)
[F258300-B](#) [F358300-B](#) [F407400](#) [F444110](#) [F487000](#) [F509500B-B](#) [827153-1](#) [8N1515-32-24P](#) [9-1326729-8](#) [925474-1](#) [928905-1](#) [964562-4](#)
[968782-1](#) [GT17SA-8DS-HU](#) [98891-1012](#) [98947-1016](#) [12004475-L](#) [12010290](#) [12010309-B](#) [12015454](#) [12020219-B](#) [12020308](#) [12041318-B](#)
[12052225-L](#) [12052466](#) [12059125](#) [12064869](#) [12004327-B](#) [12010503-B](#) [12015308](#) [12015384](#) [12015909](#) [1-21030-1](#) [12041254](#) [12041318](#)
[12047946-B](#) [12047957](#) [12047957-L](#) [12059473](#) [12066261](#)