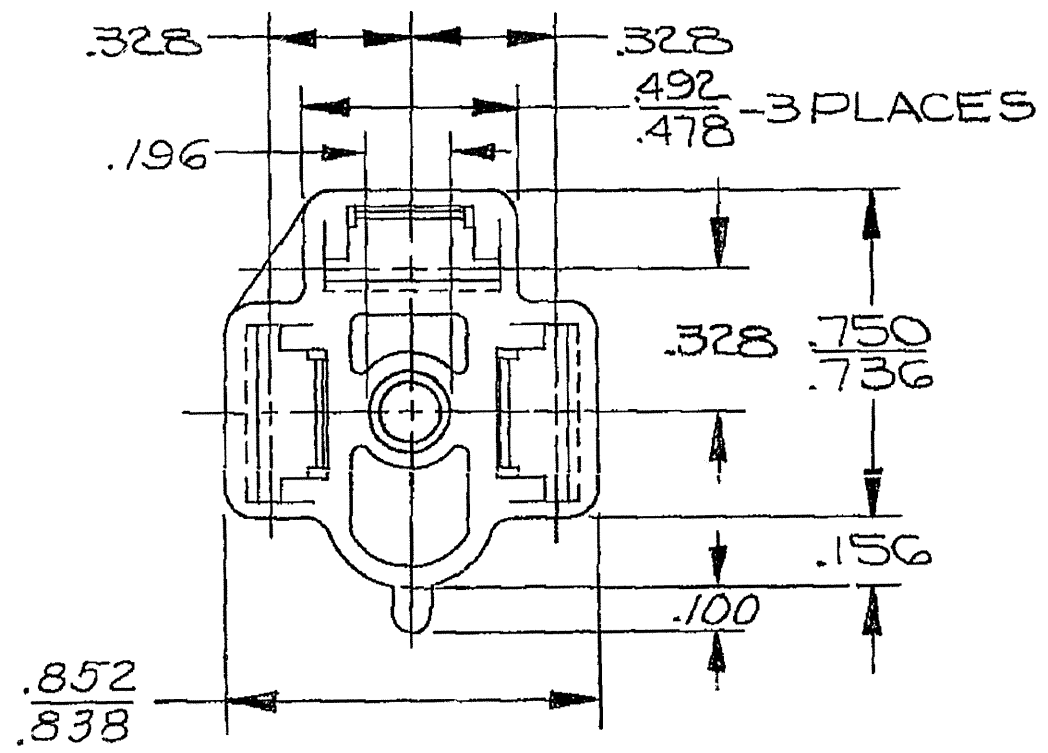
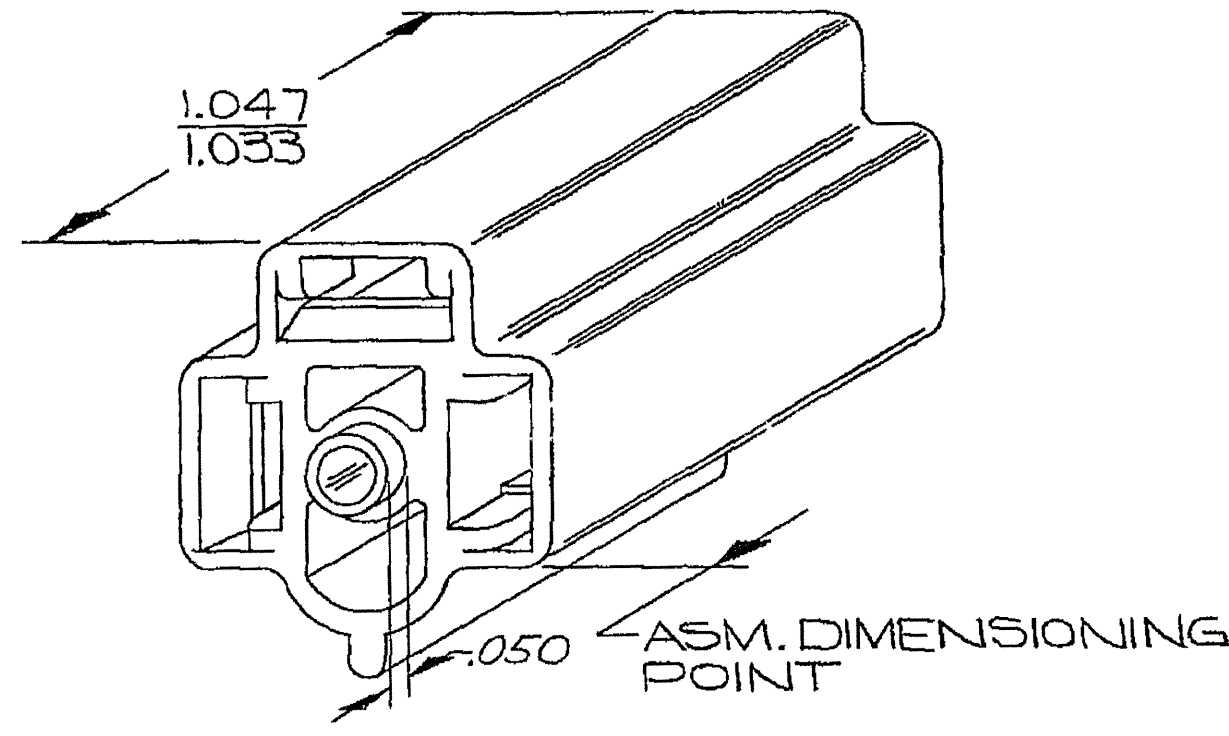


DWG STATUS					ZONE	REVISION HISTORY	AUTH	DR	APVD 1	APVD 2
DATE	STG	REV	N/P	CHG						
190C66		-				OUTLINE DWG ISSUED TO SUPPLEMENT "D" SIZE DETAIL DWG	25906			
29N066		-				RIB ADDED	26349			
12N068		-				.050 & .196 DIMS ADDED	33435			
07MY71		-				RIB ADDED & OPT RIB REMOVED	43116			
18FE75		D				RIB ADDED & MAT'L WAS BROWN	55017			
04JA05	R	05	-	-		MATERIAL WAS M-661-001	262523	MJM	MJM	ET



**NOTES**

- UNLESS OTHERWISE SPECIFIED AND/OR INDICATED: DIMENSIONS ARE TO FACE OF VIEW SHOWN.
- MATERIAL RECYCLING CODE PER SAE J1344. (.09)X(.004) RAISED CHARACTERS AS SHOWN TO BE LOCATED ON ANY EXTERIOR SURFACE. OPTIONAL CONSTRUCTION TO BE NO MATERIAL RECYCLING CODE.
- (.09)X(.004) RAISED DELPHI CORPORATE BRAND TO BE LOCATED ON ANY EXTERIOR SURFACE, PREFERABLY VISIBLE AT FINAL ASSEMBLY. OPTIONAL CONSTRUCTION TO BE "PED" OR NO LOGO.
- MATES WITH 5/16 BLADE ON HEADLAMP.

DWG TYPE		PART DRAWING	
STYLE			
VOLUME (CM <sup>3</sup> )	DISTR CODE		
	D		
UNLESS OTHERWISE SPECIFIED			
THIS DOCUMENT IS IN ACCORDANCE WITH ASME Y14.5M-1994 AS AMENDED BY THE GM GLOBAL DIMENSIONING AND TOLERANCING ADDENDUM - 1997. ALL GEOMETRIC TOLERANCES AND RELATED DATUMS APPLY RFS. RULE #1 (PERFECT FORM AT MMC) DOES NOT APPLY WHEN RELATIONSHIP BETWEEN FEATURES IS ESTABLISHED BY ORIENTATION OR LOCATION TOLERANCES. SEPARATE POSITION CALLOUTS MAY BE GAGED SEPARATELY, REGARDLESS OF DATUM REFERENCE. ALL DIMENSIONS ARE IN INCHES			
REFERENCE			
THIRD ANGLE PROJECTION	DO NOT SCALE	UNIGRAPHICS	
USE MATH DATA			

TOLERANCE UNLESS OTHERWISE SPECIFIED  
 DECIMAL:            ANGULAR ±2°  
 TWO PLACE ±.01  
 THREE PLACE ±.005

**DELPHI**

DELPHI PACKARD ELECTRIC SYSTEMS  
WARREN, OH

DR	DATE					
APVD1 B. BYERS	07N066					
APVD2 D. THIRY	14N066					
APVD3 PEARCE	17N066					
APVD4						
APVD5						
SUBSTANCES OF CONCERN AND RECYCLED CONTENT PER DELPHI 10949001						
MATERIAL M2097002 PP 1M NAT						
DRAWING NAME						
CONN 3 F 59 NAT						
DRAWING NUMBER						
06288471						
SIZE	SCALE	FRAME NO	SHEET NO	STG	REV	N/P
A2	N/A	1 OF 1	1 OF 1	R	05	-

Issue: 06288471-DWG  
 Part: 06288471-CUS01-S01  
 Date: 04-Jan-05  
 Time: 10:12  
 Page: 1

## X-ON Electronics

Largest Supplier of Electrical and Electronic Components

*Click to view similar products for [Automotive Connectors](#) category:*

*Click to view products by [APTIV](#) manufacturer:*

Other Similar products are found below :

[003-018-000](#) [60403001](#) [60993906-B](#) [629515004020001](#) [M902-2131](#) [M902-2161](#) [72.330.1035.1](#) [73.353.4028.0](#) [F119300-B](#) [F166900](#)  
[F258300-B](#) [F358300-B](#) [F407400](#) [F444110](#) [F487000](#) [F509500B-B](#) [827153-1](#) [8N1515-32-24P](#) [9-1326729-8](#) [925474-1](#) [928905-1](#) [964562-4](#)  
[968782-1](#) [GT17SA-8DS-HU](#) [98891-1012](#) [98947-1016](#) [12004475-L](#) [12010290](#) [12010309-B](#) [12015454](#) [12020219-B](#) [12020308](#) [12041318-B](#)  
[12052225-L](#) [12052466](#) [12059125](#) [12064869](#) [12004327-B](#) [12010503-B](#) [12015308](#) [12015384](#) [12015909](#) [1-21030-1](#) [12041254](#) [12041318](#)  
[12047946-B](#) [12047957](#) [12047957-L](#) [12059473](#) [12066261](#)