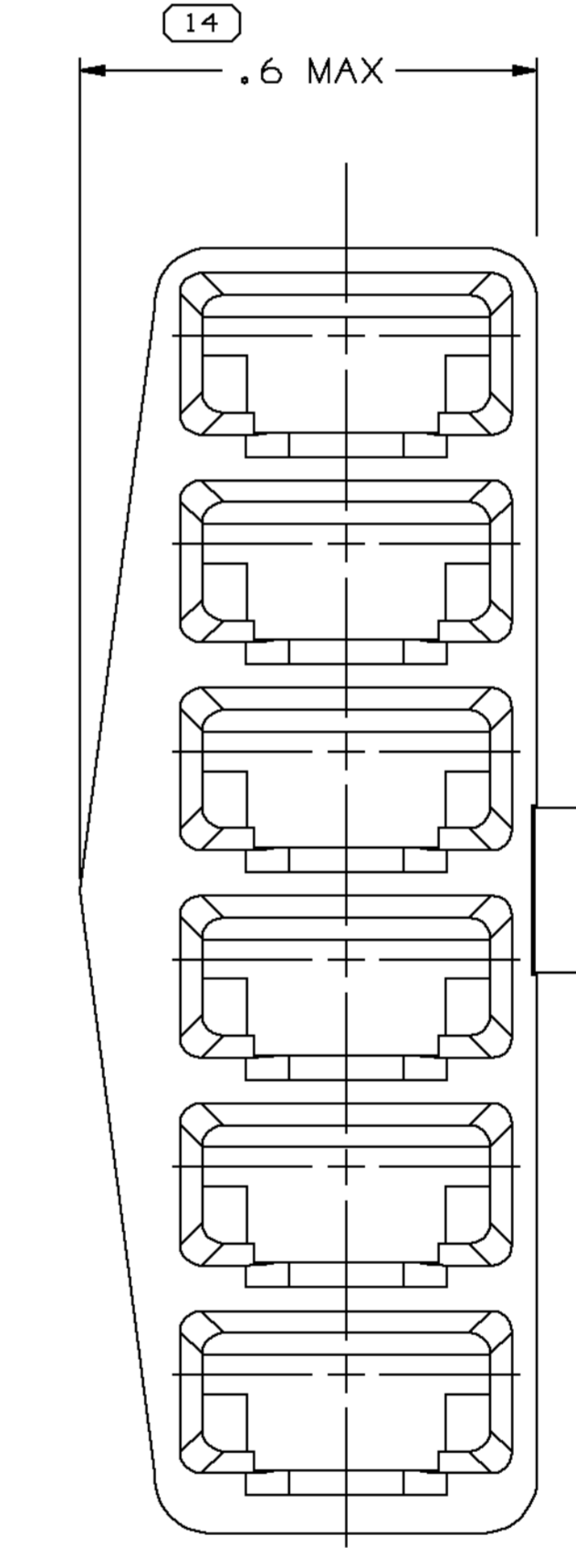
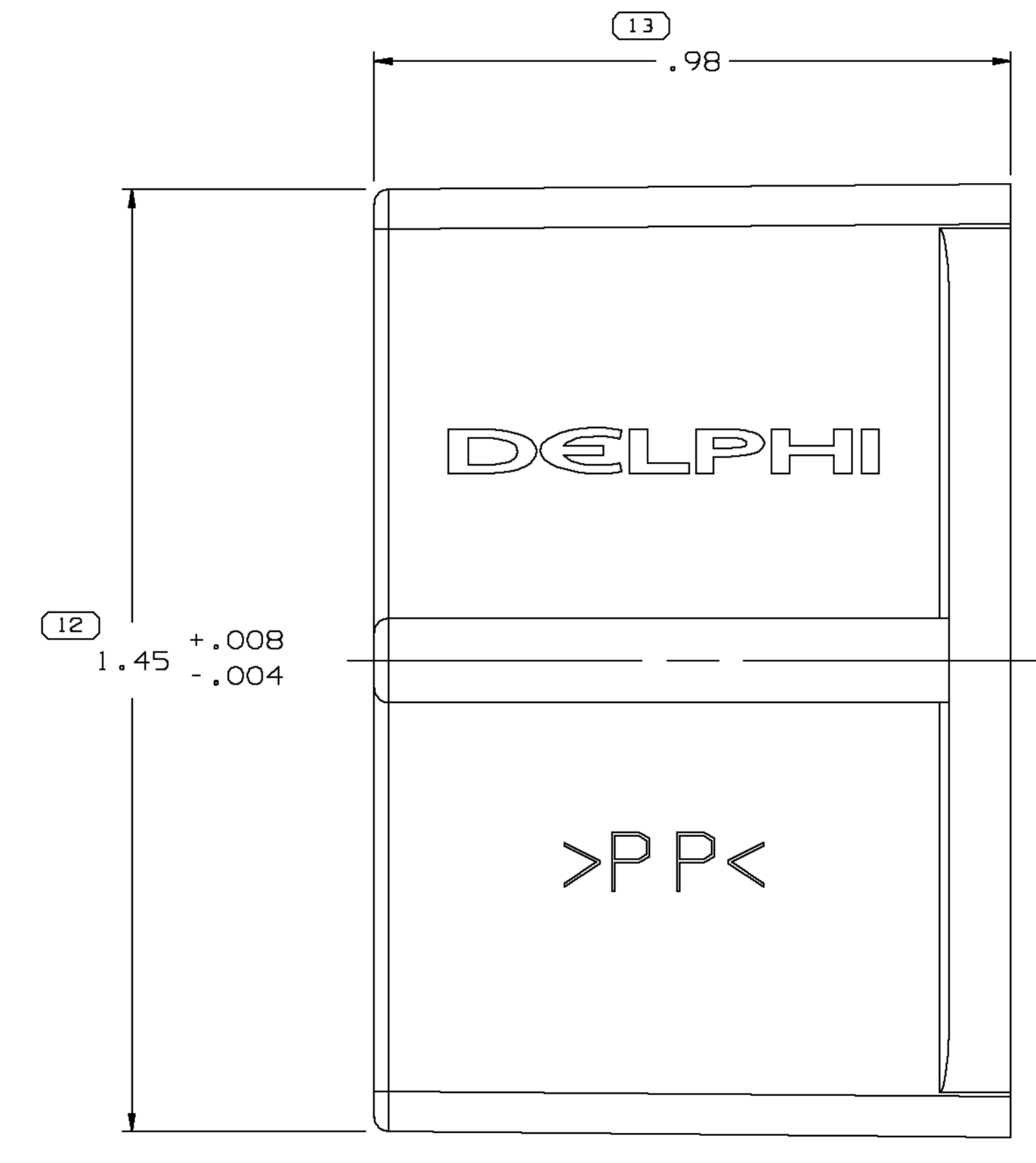
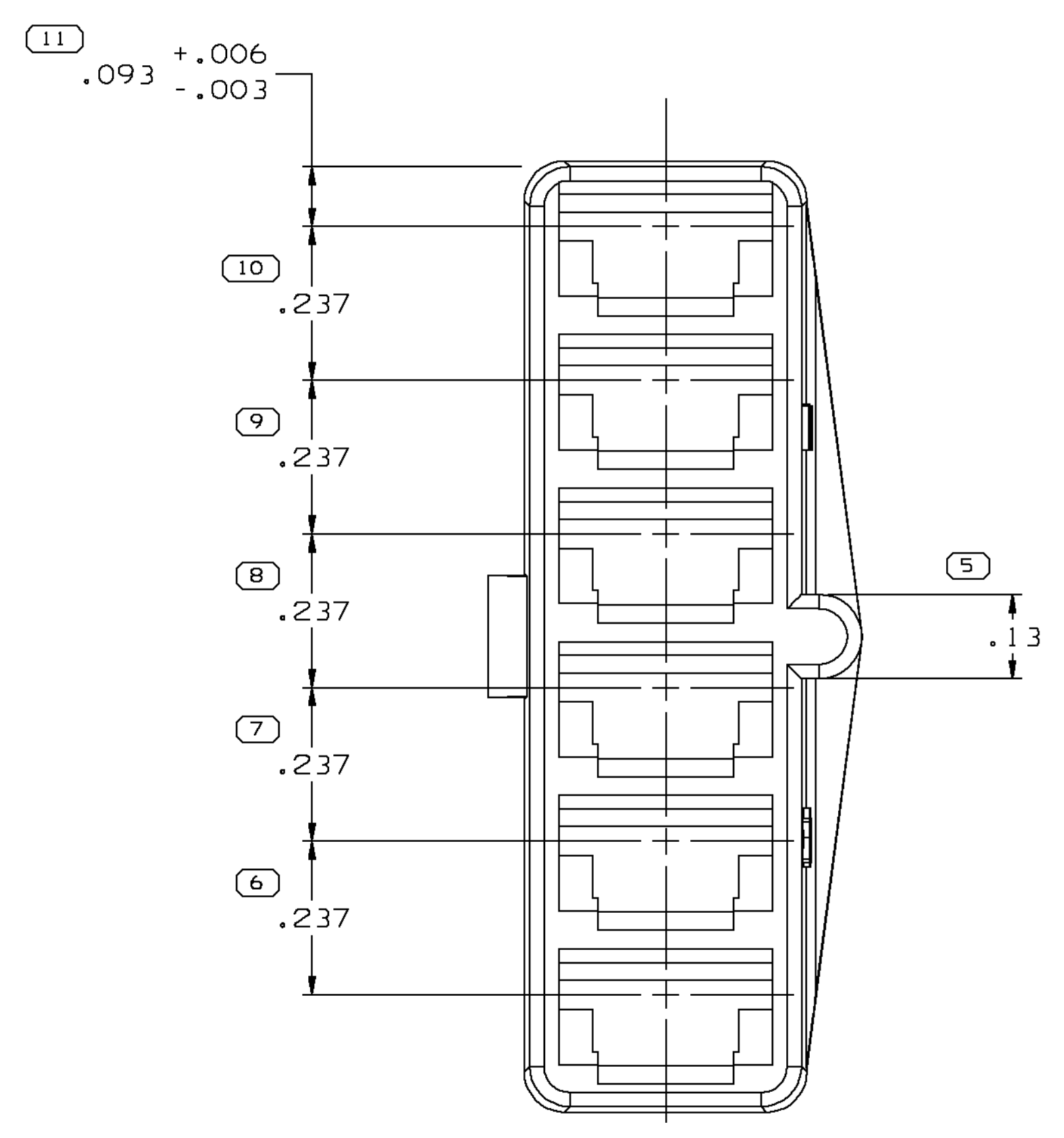
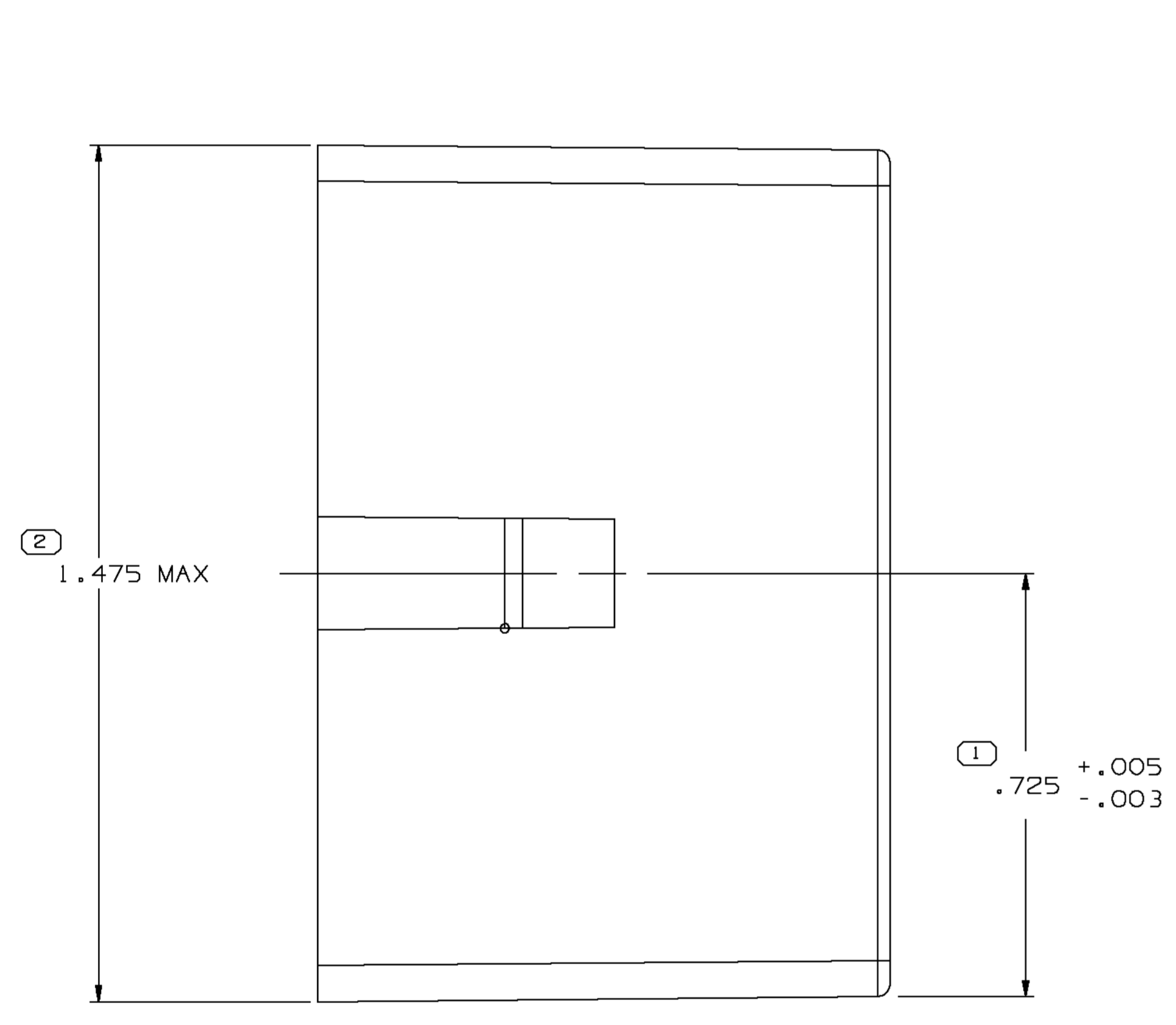
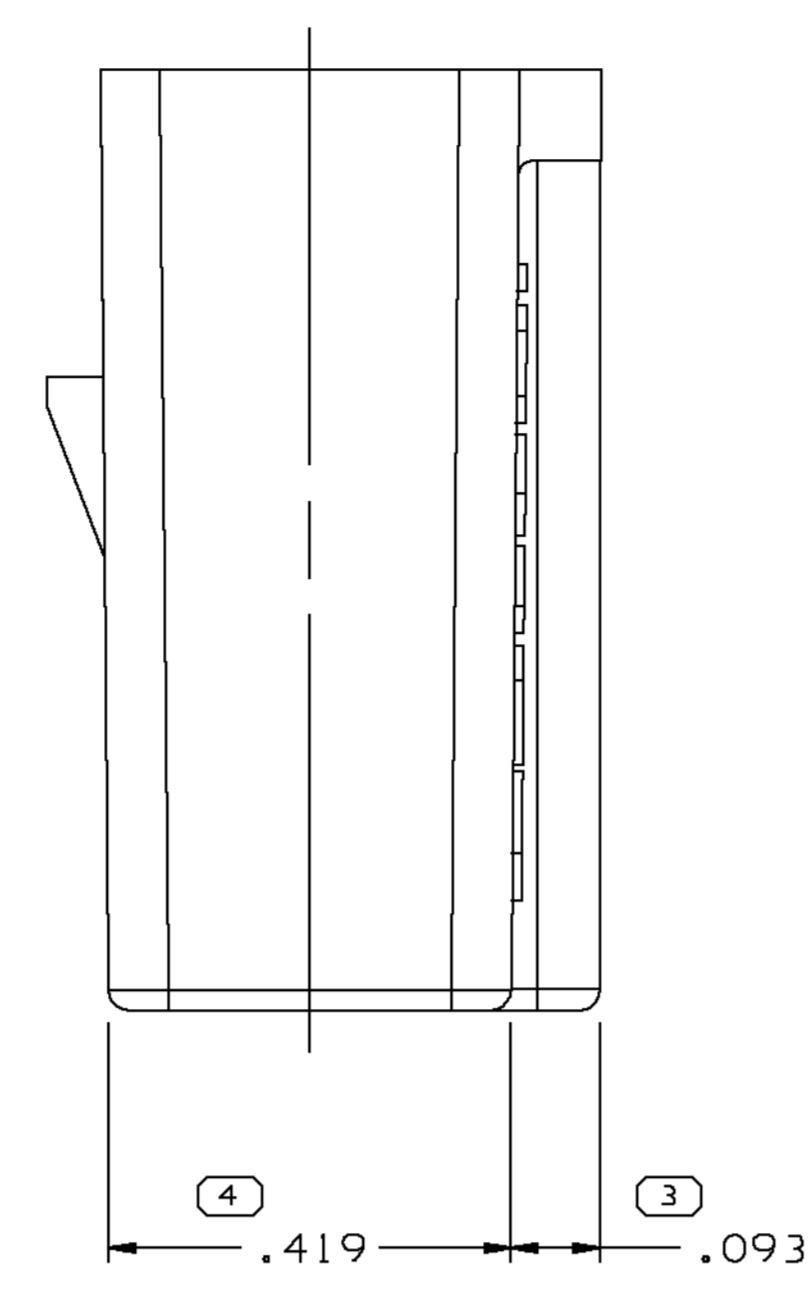
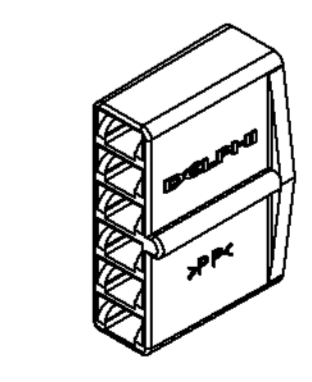


| SYMBOL DEFINITION  |  |  |  | MISSING SYMBOLS                  |  |  |  | REVISION HISTORY         |  |  |  | AUTH   |  | DR  |  | APVD |  |     |  |     |  |  |  |
|--|--|--|--|----------------------------------|--|--|--|--------------------------|--|--|--|--------|--|-----|--|------|--|-----|--|-----|--|--|--|
| A DIMENSION WITHOUT AN INSPECTION REPORT SYMBOL DOES NOT REQUIRE INSPECTION. IT MAY BE CONTROLLED ON THE INDIVIDUAL COMPONENT DRAWING. |  |  |  | TOTAL NO OF INSPECTIONS REQUIRED |  |  |  | NO MISSING SYMBOL NUMBER |  |  |  | DATE   |  | STG |  | REV  |  | N/P |  | CHG |  | ZONE   |  |
|  |  |  |  | 14                               |  |  |  |                          |  |  |  | 070002 |  | R   |  | A5   |  |     |  |     |  | CLEARED REV COL., REDRAWN TO PD & MAT'L SPEC WAS R0067550 PP BLK |  |
|  |  |  |  | LAST NO. USED                    |  |  |  |                          |  |  |  |        |  |     |  |      |  |     |  |     |  | 231422   |  |
|  |  |  |  |                                  |  |  |  |                          |  |  |  |        |  |     |  |      |  |     |  |     |  | EVOV   |  |
|  |  |  |  |                                  |  |  |  |                          |  |  |  |        |  |     |  |      |  |     |  |     |  | AM   |  |



NOTES

- UNLESS OTHERWISE SPECIFIED AND/OR INDICATED: DIMENSIONS ARE TO FACE OF VIEW SHOWN AND AUTOMATICALLY ROUNDED BY COMPUTER FOR INSPECTION (SEE MATH MODEL FOR PRECISE DIMENSIONS). FOR ALL OTHER DIMENSIONS NOT SHOWN BUT REQUIRED FOR TOOL BUILD, SEE MATH MODEL FOR PRECISE TOOL PATH DATA.
- MATERIAL RECYCLING CODE >PP< PER SAE J1344. (.1)X(.01) RAISED CHARACTERS AS SHOWN TO BE LOCATED ON ANY EXTERIOR SURFACE. OPTIONAL CONSTRUCTION TO BE NO MATERIAL RECYCLING CODE.
- MATING COMPONENTS OR EQUIVALENT: CONNECTOR 06288539
- STAMP MOLD WITH REVISION LETTER "O".
- (.1)X(.01) RAISED DELPHI CORPORATE BRAND TO BE LOCATED ON ANY EXTERIOR SURFACE, PREFERABLY VISIBLE AT FINAL ASSEMBLY. OPTIONAL CONSTRUCTION TO BE "PED" OR NO LOGO.



| DIMENSIONAL RANGE (IN)               | CHART | H      |
|--------------------------------------|-------|--------|
| FROM 0                               | >.750 | >1.250 |
| TO .750                              | 1.250 | 2.750  |
|                                      | 2.750 | 4.000  |
|                                      | 4.000 |        |
| TOLERANCE UNLESS OTHERWISE SPECIFIED |       |        |
|                                      | ±.005 | ±.010  |
|                                      | ±.012 | ±.015  |
|                                      | ±.020 |        |
| ANGULAR TOLERANCE ±2°                |       |        |

| DWO TYPE   |           | PART DRAWING |   |
|--|-----------|--------------|---|
| STYLE  |           |              |   |
| VOLUME (COP)   | 5,126     | DISTR CODE   | D |
| ROUTING  | 6900,6901 |              |   |
| UNLESS OTHERWISE SPECIFIED   |           |              |   |
| THIS DOCUMENT IS IN ACCORDANCE WITH ASME Y14.5M-1994 AS AMENDED BY Y14.5M-2009 DIMENSIONING AND TOLERANCING ADDENDUM - 1997. ALL GEOMETRIC TOLERANCES AND RELATED DATUMS APPLY TO ALL DIMENSIONS UNLESS OTHERWISE SPECIFIED. UNLESS OTHERWISE SPECIFIED, ALL DIMENSIONS ARE IN INCHES. |           |              |   |
| REFERENCE  |           |              |   |

**DELPHI**  
DELPHI PACKARD ELECTRIC SYSTEMS  
WARREN, OH

| DR              | DATE   |
|-----------------|--------|
| APVD1 T. MUDREY | 21SE66 |
| APVD2 G. WRIGHT | 21SE66 |
| APVD3 LUBERT    | 21SE66 |
| APVD4           |        |
| APVD5           |        |

MATERIAL: M0661002 PP BLK

DRAWING NAME: CONN 6F 56 SER

DRAWING NUMBER: 06288538

SIZE: A0 SCALE: 5:1 FRAME NO: 1 OF 1 SHEET NO: 1 OF 1 REV: N/P

## X-ON Electronics

Largest Supplier of Electrical and Electronic Components

*Click to view similar products for [Automotive Connectors](#) category:*

*Click to view products by [APTIV](#) manufacturer:*

Other Similar products are found below :

[003-018-000](#) [60993906-B](#) [M902-2131](#) [M902-2161](#) [M902-2344](#) [72.330.1035.1](#) [73.353.4028.0](#) [F166900](#) [F358300-B](#) [F407400](#) [776880-1](#)  
[827153-1](#) [8N1515-32-24P](#) [9-1326729-8](#) [925474-1](#) [928905-1](#) [964562-4](#) [968782-1](#) [98891-1012](#) [12004475-L](#) [12020308](#) [12041318-B](#)  
[12052466](#) [12064869](#) [12015909](#) [1-21030-1](#) [12041254](#) [12041318](#) [12047946-B](#) [12110546-B](#) [12131792](#) [12084688](#) [12092346](#) [HD34-18-14PT](#)  
[HD46-24-23SN-059](#) [HDB36-24-16PN-059](#) [HDP26-24-9SE-L015](#) [12185280](#) [12185550](#) [12336-12](#) [12191172-B](#) [12S](#) [13545280](#) [13577943](#)  
[13681974](#) [13737722-B](#) [13830674](#) [13832576](#) [13849772](#) [13542772](#)