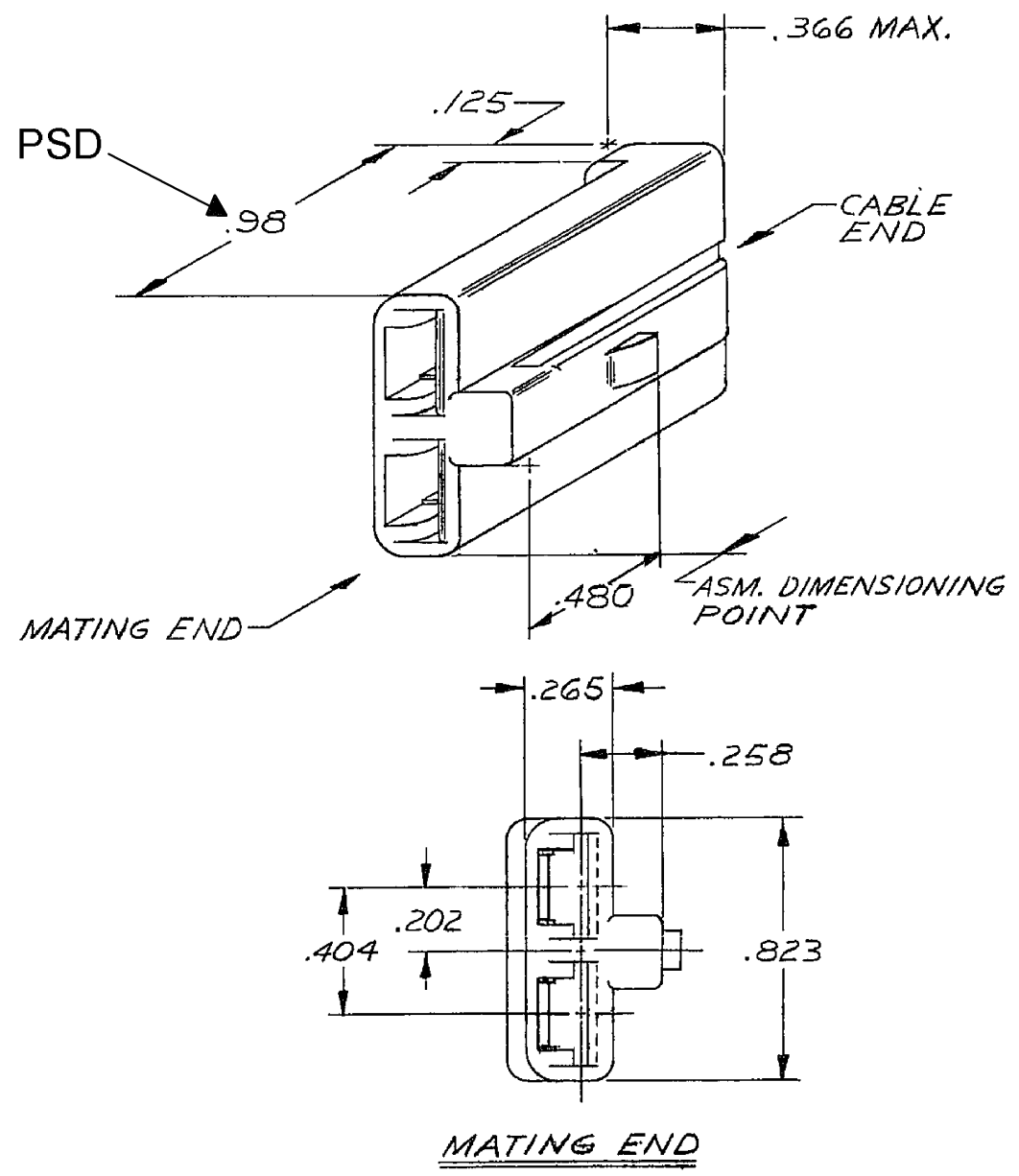


DWG STATUS				REVISION HISTORY		AUTH	DR	APV	APV2
DATE	BY	REV	NSP	CHG	ZONE				
11SE02	R	01	-	-		TAXI DWG CREATED FROM SEPARATE DRAWINGS. ALL PARTS - ADDED DELPHI LOGO & NOTES AND REVISED MATL SPEC.	230384	ARA	ARA
08MR06	R	02	-	-		06284493 - MATL SPEC WAS M3592002	278375	JDA	FRG PVP



- NOTES
- (.1) X (.01) RAISED DELPHI CORPORATE BRAND TO BE LOCATED ON ANY EXTERIOR SURFACE, PREFERABLY VISIBLE AT FINAL ASSEMBLY. OPTIONAL CONSTRUCTION TO BE "PED" OR NO LOGO
 - MATERIAL RECYCLING CODE >PA66< PER SAE J1344. (.1) X (.01) RAISED CHARACTERS AS SHOWN TO BE LOCATED ON ANY EXTERIOR SURFACE. OPTIONAL CONSTRUCTION TO BE NO MATERIAL RECYCLING CODE.

PART NO	REV	N/P	STATUS	MATERIAL SPECIFICATION AND COLOR
12015684	C2	-		M3592015 PA66 HS IM GRN LT
06294493	04	-		M3592024 PA66 HS IM CRM

DWG TYPE		PART DRAWING	
STYLE		DISTR CODE	D
VOLUME (CM)			
ROUTING	6900		
UNLESS OTHERWISE SPECIFIED			
THIS DRAWING IS A REVISION OF THE PREVIOUS EDITION. THE NEW EDITION SHALL BE THE ONLY ONE TO BE USED. THE PREVIOUS EDITION SHALL BE OBSOLETE. THE PREVIOUS EDITION SHALL NOT BE USED FOR REPAIR OR REWORK. THE PREVIOUS EDITION SHALL NOT BE USED FOR REWORK. THE PREVIOUS EDITION SHALL NOT BE USED FOR REWORK.			
REFERENCE			
THIRD ANGLE PROJECTION			

DELPHI

DELPHI PACKARD ELECTRIC SYSTEMS
WARREN, OHIO

DRAWING NAME: TAXI CONN BODY -56 SERIES LOCK TYPE-2 FEMALE TERMINALS

DRAWING NUMBER: 12015701

SIZE: A0

SCALE: NONE

FRAME NO: 1

SHEET NO: 1 OF 1

REV: R

DATE: 02

X-ON Electronics

Largest Supplier of Electrical and Electronic Components

Click to view similar products for [Automotive Connectors](#) category:

Click to view products by [APTIV](#) manufacturer:

Other Similar products are found below :

[003-018-000](#) [60403001](#) [60993906-B](#) [629515004020001](#) [M902-2131](#) [M902-2161](#) [72.330.1035.1](#) [73.353.4028.0](#) [F119300-B](#) [F166900](#)
[F258300-B](#) [F358300-B](#) [F407400](#) [F444110](#) [F487000](#) [F509500B-B](#) [827153-1](#) [8N1515-32-24P](#) [9-1326729-8](#) [925474-1](#) [928905-1](#) [964562-4](#)
[968782-1](#) [GT17SA-8DS-HU](#) [98891-1012](#) [98947-1016](#) [12004475-L](#) [12010290](#) [12010309-B](#) [12015454](#) [12020219-B](#) [12020308](#) [12041318-B](#)
[12052225-L](#) [12052466](#) [12059125](#) [12064869](#) [12004327-B](#) [12010503-B](#) [12015308](#) [12015384](#) [12015909](#) [1-21030-1](#) [12041254](#) [12041318](#)
[12047946-B](#) [12047957](#) [12047957-L](#) [12059473](#) [12066261](#)