

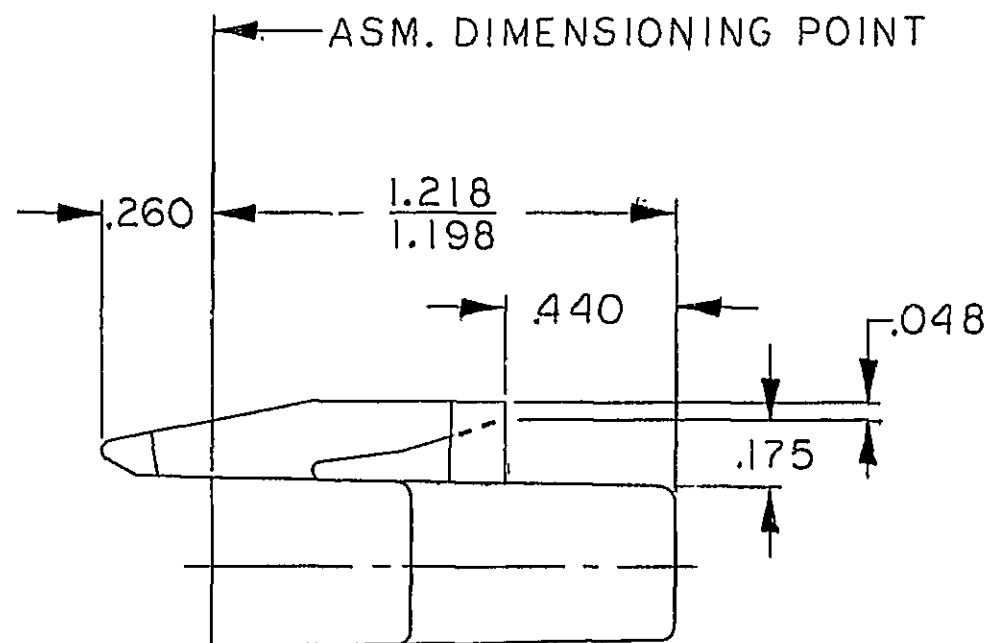
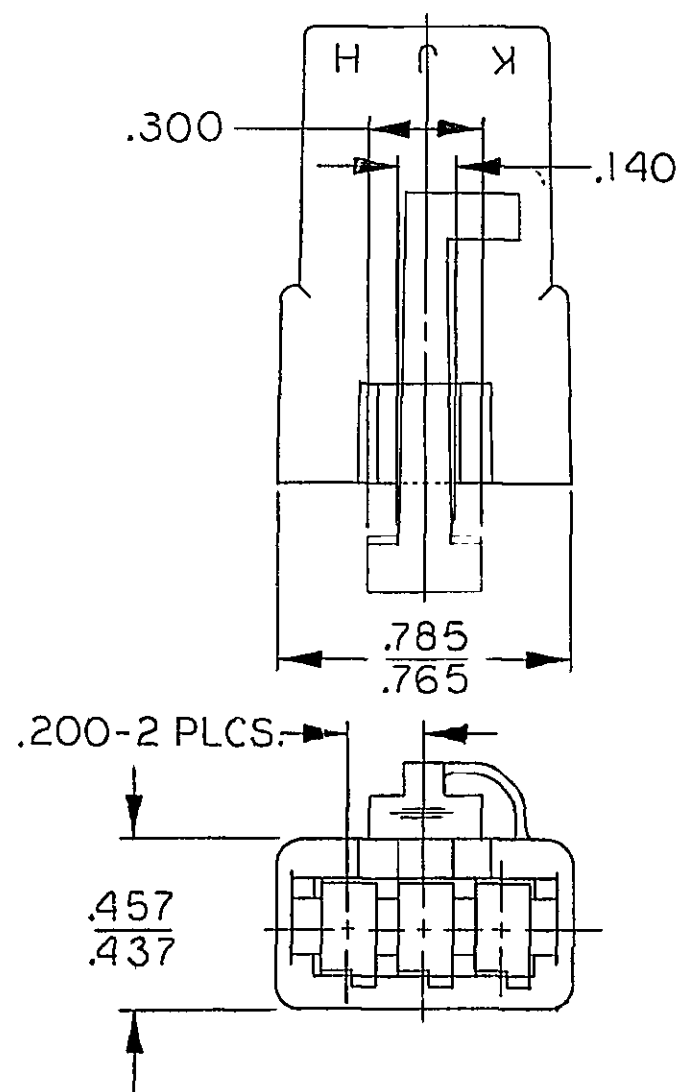
D

THIS DRAWING AND DESIGN HEREON CONSTITUTES A PROPRIETARY DESIGN OF PACKARD ELECTRIC DIVISION AND IS NOT TO BE DUPLICATED OR REPRODUCED WITHOUT AUTHORITY OF PACKARD ELECTRIC DIVISION.

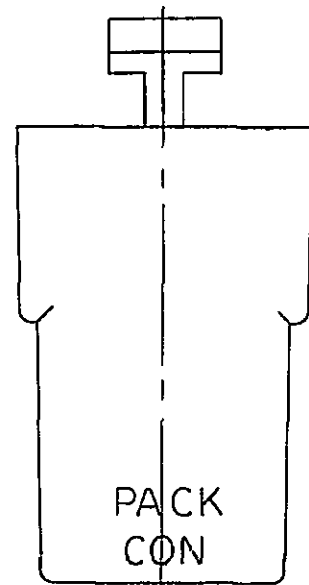
8905205

DO NOT SCALE

PACKARD ELECTRIC DIVISION
GENERAL MOTORS CORPORATION
WARREN, OHIO



MATING END



NOTES

1. THIS PART MATES WITH 08905203 OR 08905222.
2. MATERIAL RECYCLING CODE PER ISO 11469. (.090) X (.004) RAISED CHARACTERS AS SHOWN TO BE LOCATED ON ANY EXTERIOR SURFACE. OPTIONAL CONSTRUCTION TO BE NO MATERIAL RECYCLING CODE.
3. (.090) X (.004) RAISED DELPHI CORPORATE BRAND TO BE LOCATED ON ANY EXTERIOR SURFACE, PREFERABLY VISIBLE AT FINAL ASSEMBLY. OPTIONAL CONSTRUCTION TO BE "PED" OR NO LOGO.

DATE	SYM	REVISION RECORD	C/NNO
11-3-70	~	NOTE REVISED	38548
10-5-72	U	REF. WAS 8905205 "D" SIZE	47743
09-0-85	-	ADDED FLASH WEB TO PUMP HANDLE LOCK	101257 JM
19-0-85	B	MAT'L. SPEC. WAS "POLYP. (BLACK)"	102396 RB
25-0-87	C	REMOVED OPTIONAL CONSTRUCTION NOTE	115444 JM
22-0-06	C1	UPDATED MAT'L SPEC AND ADDED DELPHI LOGO & RECYCLING NOTES	277749

CODE NO. 6900		TOLERANCE UNLESS OTHERWISE SPECIFIED DECIMAL TWO PLACE = 01 THREE PLACE = 005	
QC		DR. <i>G. A. Kerul Jr.</i>	
DWG. DATE 10-29-69	SCALE NONE	CK. <i>Hubbard</i>	DATE 11-3-69
EST. NO. 88394	REFERENCE NO 8911770 "D" SIZE	APPR. <i>J. King</i>	DATE 11-3-69
MATERIAL SPEC M2097001 PP IM BLK		APPR. <i>Greene</i>	DATE 11-6-69
NAME CONN 3F PAC/CN I			
PART NO. 8905205	OUTLINE DWG.		SIZE B

ROUTING

- 82V
- 16A
- 41-05H
- 76V
- 36V
- 304
- 18A
- 99A

141-P

X-ON Electronics

Largest Supplier of Electrical and Electronic Components

Click to view similar products for [Automotive Connectors](#) category:

Click to view products by [APTIV](#) manufacturer:

Other Similar products are found below :

[003-018-000](#) [60403001](#) [60993906-B](#) [629515004020001](#) [M902-2131](#) [M902-2161](#) [72.330.1035.1](#) [73.353.4028.0](#) [F119300-B](#) [F166900](#)
[F258300-B](#) [F358300-B](#) [F407400](#) [F444110](#) [F487000](#) [F509500B-B](#) [827153-1](#) [8N1515-32-24P](#) [9-1326729-8](#) [925474-1](#) [928905-1](#) [964562-4](#)
[968782-1](#) [GT17SA-8DS-HU](#) [98891-1012](#) [98947-1016](#) [12004475-L](#) [12010290](#) [12010309-B](#) [12015454](#) [12020219-B](#) [12020308](#) [12041318-B](#)
[12052225-L](#) [12052466](#) [12059125](#) [12064869](#) [12004327-B](#) [12010503-B](#) [12015308](#) [12015384](#) [12015909](#) [1-21030-1](#) [12041254](#) [12041318](#)
[12047946-B](#) [12047957](#) [12047957-L](#) [12059473](#) [12066261](#)